

# UKD50H Omni-sealed High-voltage DC Contactor

UKD50H 型全密封高压直流接触器

## -产品用途 Product application

产品主要用于电动大巴车、充电桩、电动汽车、汽车空调、通讯电源等直流电源系统的电源通断控制。

The product is mainly applied for the control of DC power supply systems including electric buses, charging piles, EVs, automotive air conditioners, and power supplies of communication, etc.

## -简要技术参数 (正常条件下) (主触点回路无极性)

Technical specifications (normal condition) (non-polarity of the main contact circuit)

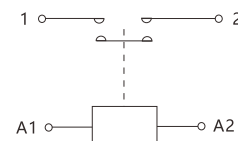


电气参数 Electrical				
触点型式 Contact type	一组桥式动合 (常开) Normally open contact	最大分断电流 (A) Max. breaking current (A)	500A,(320VCD)1time	
触点额定负载(DC) Contact rated load (DC)	12V~1000V,50A	介质耐电压 Withstand voltage of medium	触点与线圈间 Between contact and coil	
触点接触压降 (mV) Contact voltage drop (mV)	≤100		断开触点间 Between open contacts	2200VAC,50Hz,1min, 不击穿 无闪络 No breakdown No flashover
吸合电压 (DC) Pull-in voltage (DC)	≤75%Us	变换负载电寿命 Electrical life of load conversion	1000V,20A	≥2000次
释放电压 (DC) Release voltage (DC)	≤7.0		900V,30A	≥2000次
吸合时间 (ms) Response time (ms)	≤30		750V,50A	≥6000次
释放时间 (ms) Release time (ms)	≤20		450V,50A	≥10000次
瞬时最大电流 Max. instantaneous current	350A,≤1s	机械寿命 (万次) Mechanical life(ten thousands times)	≥30	
线圈电压规格 (DC) Coil voltage (DC)	(9-36)V	引出端温升 (K) Temperature rise of leading-out terminal(K)	≤65	
线圈直流电流、功率 Coil direct current and power	启动电流 Starting current	≤1.0A	线圈温升 (K) Coil temperature rise(K)	≤85
	维持功率 Stand-by power	≤4.0W	触点材料 Contact material	银合金 Silver alloy
动作频率 Action frequency	≤1Hz	线圈工作制 Coil working system	长期 Long-term	
绝缘电阻 (MΩ) Insulation resistance (MΩ)	≥100			
机械/环境能力参数 Mechanical/Environmental				
触点M5引出端里矩 (N.m) Outgoing moment of contact M5(N.m)	≥5.5 为宜 as recommended	安装方式 Installation type	任意 Arbitrary	
线圈引出方式 Coil leading-out type	耐高温绝缘多股铜芯线 High temperature resistant insulated multiple copper core wire	振动 Vibration	正弦, 2.5g, (5~50) Hz Sinusoidal	
使用环境温度 Operating environment temperature	(-40 ~ +85) °C	冲击 Impact	50g, 11ms (半正弦波/half sinusoid)	
防护等级 Protection grade	IP67			
线圈规格变换表 (20°C) Coil specification conversion(20°C)				
电压规格 (V) Voltage specification(V)	线圈电阻 (1±10%) Ω Coil resistance			
(9-36)	6.0 (去线路板测量)tested on PCB			

## 型号含义 Model



## 电气原理图 Electric schematic diagram

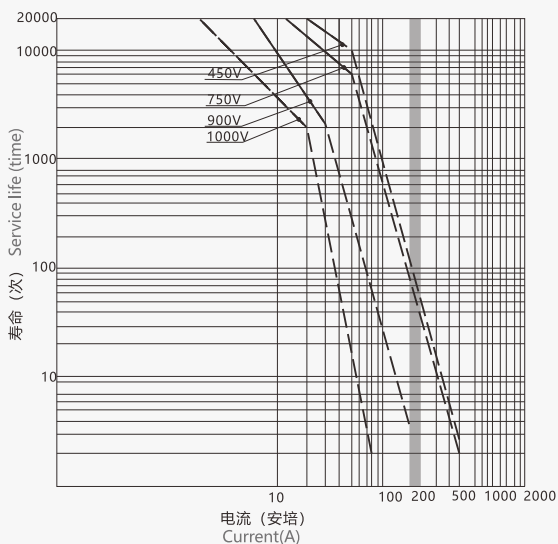


# UKD50H Omni-sealed High-voltage DC Contactor

## UKD50H 型全密封高压直流接触器

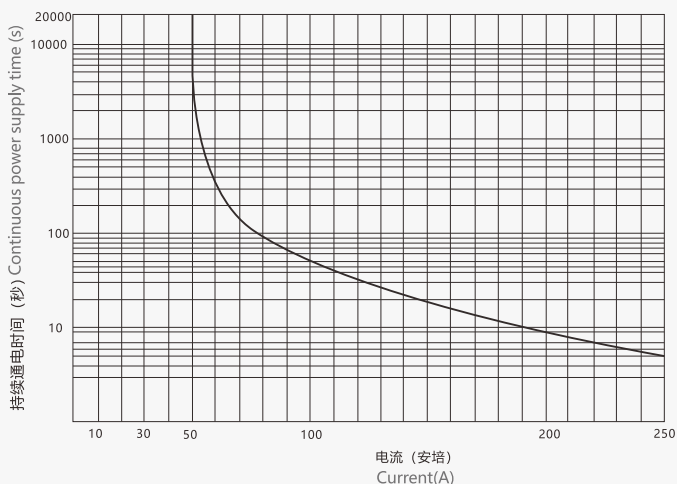
负载切换特性曲线 (估计值)

Load switching characteristic curve (estimated)



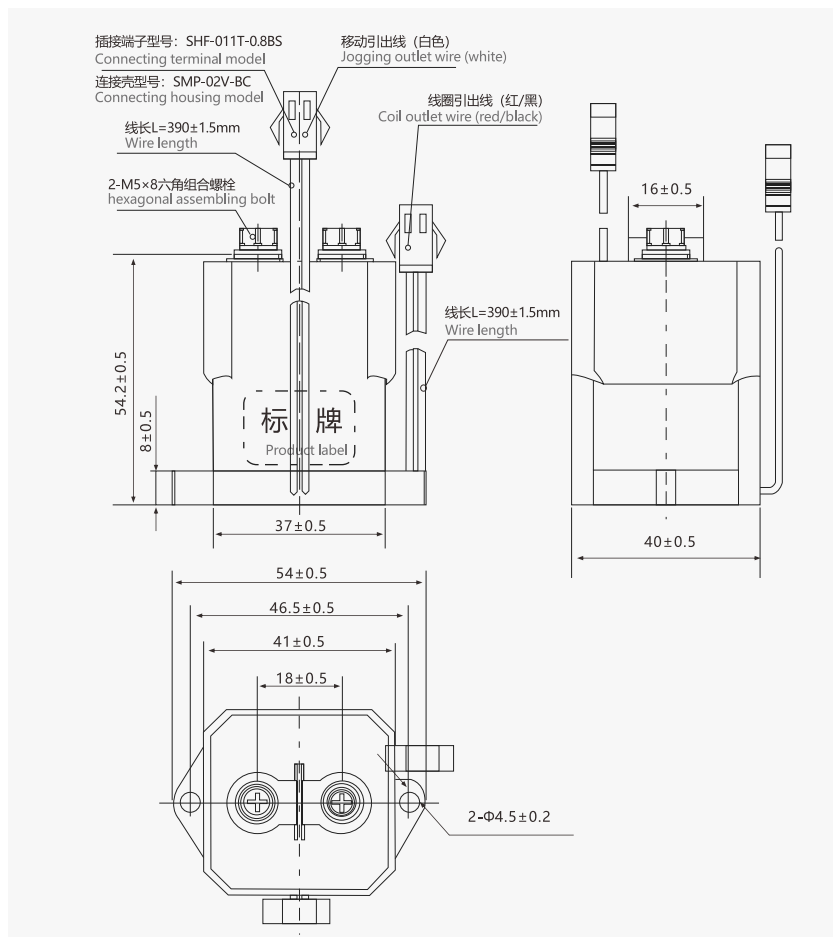
负载承载特性曲线 (估计值)

Load bearing characteristic curve (estimated)



### 外形及安装尺寸图

### Dimension and installation drawing



### -订货规范 Order specifications

例: UKD50HS/(9-36)V

主触点额定电流 50A, 额定电压 DC750V, 线圈电压(9-36)V 通用。一组桥式常开带微动开关的直流感触器。

For example: UKD50HS/(9-36)V

It means that the main contact rated current is 50A, the rated voltage is DC750V, and the coil voltage is (9-36)V for common use, including normally open DC contactor with microswitch.