

# UKS AC Motor Starter

UKS交流电动机起动器

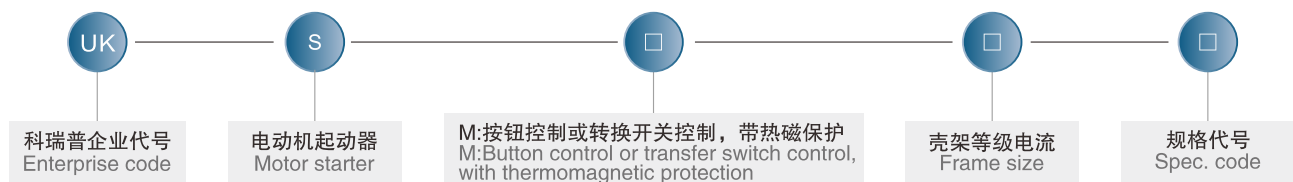


UKS-M3207



UKS-M8080

## 型号及含义 Model description



## UKS-M32电动机带热磁保护起动器

UKS-M32 motor with thermomagnetic protection starter

### 按钮控制或转换开关控制 Button control or transfer switch control

50/60Hz, AC-3类 50/60Hz, category AC-3 三相电动机标准额定功率 Standard rated power of three-phase motor				热脱扣 Thermal tripping 设定范围 Setting range	磁脱扣 Magnetic tripping 电流 Current	带外壳时 With enclosure Ithe 电流 Ithe current	型号 Model (按钮控制) (Button control)	重量 Weight
230V	400V	415V	440V	A	A	A		kg
kW	kW	kW	kW					
-	-	-	-	0.1...0.16	1.5	0.16	UKS-M3201	0.260
-	-	-	-	0.16...0.25	2.4	0.25	UKS-M3202	0.260
-	-	-	-	0.25...0.40	5	0.40	UKS-M3203	0.260
-	-	-	-	0.40...0.63	8	0.63	UKS-M3204	0.260
-	-	-	0.37	0.63...1	13	1	UKS-M3205	0.260
-	0.37	-	0.55	1...1.6	22.5	1.6	UKS-M3206	0.260
0.37	0.75	0.75	1.1	1.6...2.5	33.5	2.5	UKS-M3207	0.260
0.75	1.5	1.5	1.5	2.5...4	51	4	UKS-M3208	0.260
1.1	2.2	2.2	3	4...6.3	78	6.3	UKS-M3210	0.260
2.2	4	4	4	6...10	138	9	UKS-M3214	0.260
3	5.5	5.5	7.5	9...14	170	13	UKS-M3216	0.260
4	9	9	9	13...18	223	17	UKS-M3220	0.260
5.5	11	11	11	17...23	327	21	UKS-M3221	0.260
5.5	11	11	11	20...25	327	23	UKS-M3222	0.260
7.5	15	15	15	24...32	416	24	UKS-M3232	0.260

# UKS AC Motor Starter

UKS交流电动机起动器

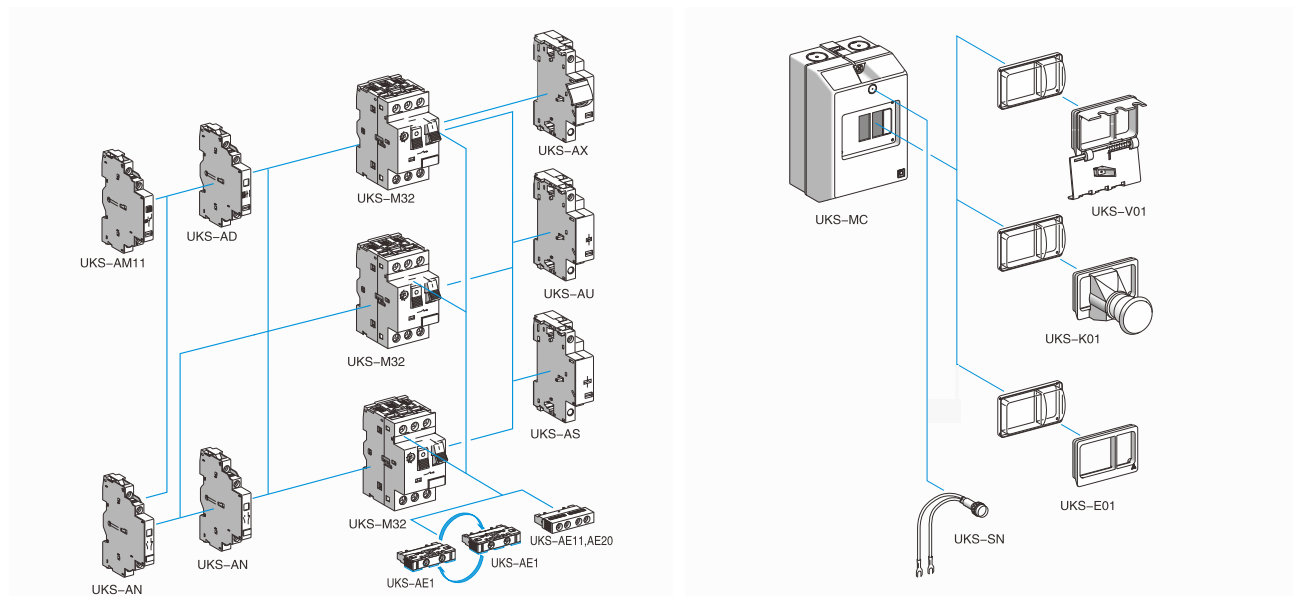
## UKS-M80电动机带热磁保护起动器

UKS-M80 motor with thermomagnetic protection starter

按钮控制 Button control				热脱扣 Thermal tripping 设定范围 Setting range	磁脱扣电流 Magnetic tripping Current I <sub>d</sub> ± 20%	型号 Model 按钮控制 Button control	重量 Weight
50/60Hz, AC-3类 50/60Hz, category AC-3 三相电动机标准额定功率 Standard rated power of three-phase motor							
230V	415V	415V	440V				
kW	kW	kW	kW	A	A		kg
-	0.37	-	0.55	1...1.6	19.2	UKS-M8006	0.600
0.37	0.75	1.1	1.1	1.6...2.5	30	UKS-M8007	0.600
0.75	1.5	1.5	1.5	2.5...4	48	UKS-M8008	0.600
1.1	2.2	2.2	3	4...6	72	UKS-M8010	0.600
2.2	4	4	4	6...10	120	UKS-M8014	0.600
4	7.5	7.5	7.5	10...16	192	UKS-M8020	0.600
5.5	11	11	11	16...25	300	UKS-M8025	0.600
1	18.5	22	22	25...40	480	UKS-M8040	0.700
15	30	33	33	40...63	756	UKS-M8063	0.700
22	40	45	45	56...80	960	UKS-M8080	0.700

## UKS-M32电脱扣 UKS-M32 Electrical tripping

类型 Type	安装 Installation	电压 Voltage	型号 Model	重量 Weight
低压脱扣 LV tripping	侧面(断路器右侧1块) Side (1pcs for right of circuit breaker)	110...127V 50Hz	UKS-AU115	0.105
		220...240V 50Hz	UKS-AU225	0.105
		380...415V 50Hz	UKS-AU385	0.105
并联脱扣 Shunt tripping	侧面(断路器右侧1块) Side(1pcs for right of circuit breaker)	110...127V 50Hz	UKS-AS115	0.105
		220...240V 50Hz	UKS-AS225	0.105
		380...415V 50Hz	UKS-AS385	0.105
低压脱扣 INRS LV tripping INRS		110...127V 50Hz	UKS-AX115	0.110
		220...240V 50Hz	UKS-AX225	0.110
		380...415V 50Hz	UKS-AX385	0.110



# UKS AC Motor Starter

UKS交流电动机起动器

## UKS-M32附加接触块

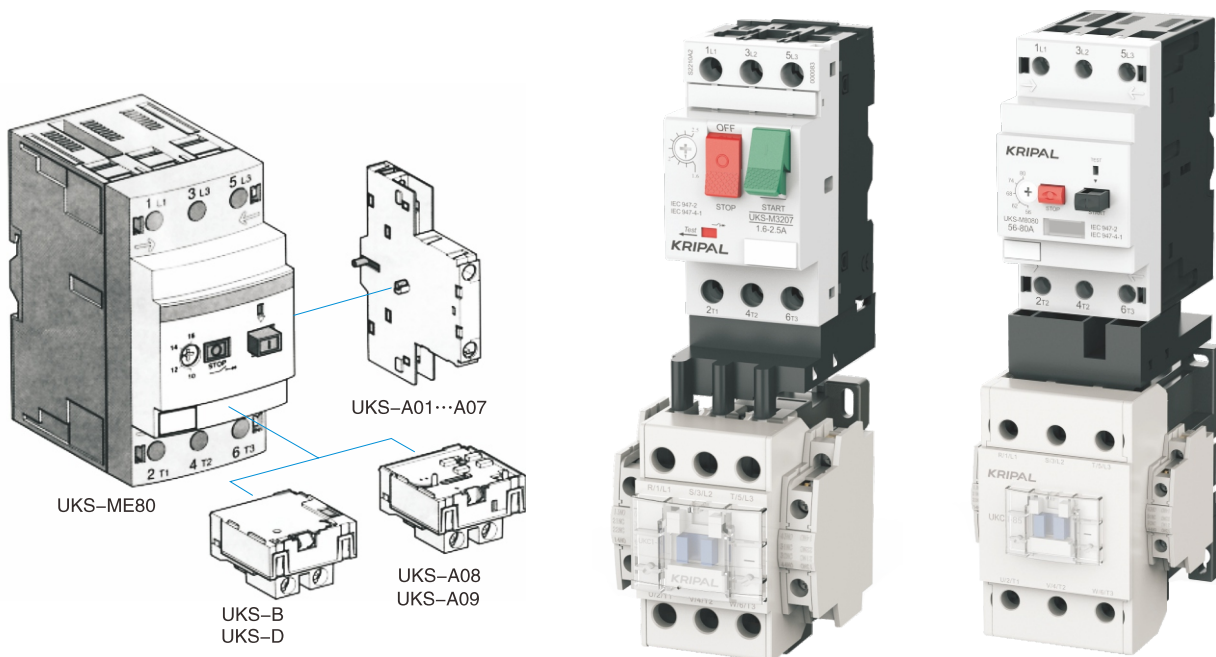
UKS-M32 Additional contact block

类型 Type	安装 Installation	触头类型 Contact type	型号 Model	重量 Weight
瞬时辅助触头 Instantaneous auxiliary contact	前面(每一断路器1块) Front (1pcs for each circuit breaker)	N/O or N/C	UKS-AE1	0.020
		N/O+N/C	UKS-AE11	0.020
		N/O+N/O	UKS-AE20	0.020
故障信号触头 Fault signal contact + 瞬时辅助触头 Instantaneous auxiliary contact	侧面(断路器左侧最多2块) Side (2 pcs at most for left of circuit breaker)	N/O+N/C	UKS-AN11	0.050
		N/O+N/O	UKS-AN20	0.050
故障信号触头 Fault signal contact + 瞬时辅助触头 Instantaneous auxiliary contact	侧面(断路器左侧1块) Side(1pcs for left of circuit breaker)	N/O +N/O	UKS-AD1010	0.055
		故障 Fault +N/C	UKS-AD1001	0.055
		N/C +N/O	UKS-AD0110	0.055
		故障 Fault +N/C	UKS-AD0101	0.055
短路信号触头 Short-circuit signal contact	侧面(断路器左侧1块) Side(1pcs for left of circuit breaker)		UKS-AM11	0.045
		普通点 Common contact		

## UKS-M80附加触头块

UKS-M80 Additional contact block

类型 Type	安装 Installation	触头类型 Contact type	型号 Type	重量 Weight
瞬时辅助触头 Instantaneous auxiliary contact	侧面(断路器右侧1块) Side (1pcs for right of circuit breaker)	N/C+N/O	UKS-A01	0.060
		N/O+N/O	UKS-A02	0.060
		N/C+N/O+N/O	UKS-A03	0.070
		N/O+N/O+N/O	UKS-A05	0.070
		N/O+N/O+2无源接线端子 N/O+N/O+2 passive terminal block	UKS-A06	0.070
		N/C+N/O+2无源接线端子 N/C+N/O+2 passive terminal block	UKS-A07	0.070
故障信号触头 Fault signal contact	内部(断路器内部1个) Inside (1pcs inside the circuit breaker)	N/C	UKS-A08	0.030
		N/O	UKS-A09	0.030



# UKS AC Motor Starter

UKS交流电动机起动器

## UKS-M80电脱扣

UKS-M80-Electrical-tripping

类型Type	安装Installation	电压Voltage	型号Type	重量Weight
低压脱扣L V tripping	内部(断路器内部1个) Inside (1pcs inside the circuit breaker)	110...127V 50Hz	UKS-B11	0.070
		220...240V 50Hz	UKS-B22	0.070
		380...415V 50Hz	UKS-B38	0.070
并联脱扣 Shunt tripping	内部(断路器内部1个) Inside (1pcs inside the circuit breaker)	110...127V 50Hz	UKS-D11	0.070
		220...240V 50Hz	UKS-D22	0.070
		380...415V 50Hz	UKS-D38	0.070

## UKS系列电动机起动器 UKS series motor starter

技术参数 分断能力选择表 Technical parameters & breaking capacity selection table

型号 Model	脱扣器额定电流In(A) Fastener rated current In(A)	整定电流调节范围 (A) Tuning current adjustment range(A)	额定极限短路分断能力Icu、额定运行短路分断能力Ics kA Rated limit short-circuit breaking capability Icu, rated operation short-circuit breaking capability Ics kA				飞弧距离 (mm)
			400/415V		690V		
			Icu	Ics	Icu	Ics	
UKS-M32	0.16	0.1~0.16	100	100	100	100	40
UKS-M32	0.25	0.16~0.25	100	100	100	100	40
UKS-M32	0.4	0.25~0.4	100	100	100	100	40
UKS-M32	0.63	0.4~0.63	100	100	100	100	40
UKS-M32	1	0.63~1	100	100	100	100	40
UKS-M32	1.6	1~1.6	100	100	100	100	40
UKS-M32	2.5	1.6~2.5	100	100	3	2.25	40
UKS-M32	4	2.5~4	100	100	3	2.25	40
UKS-M32	6.3	4~6.3	100	100	3	2.25	40
UKS-M32	10	6~10	100	100	3	2.25	40
UKS-M32	14	9~14	15	7.5	3	2.25	40
UKS-M32	18	13~18	15	7.5	3	2.25	40
UKS-M32	23	17~23	15	6	3	2.25	40
UKS-M32	25	20~25	15	6	3	2.25	40
UKS-M32	32	24~32	10	5	3	2.25	40
UKS-M80	25	16~25	15	7.5	4	2	50
UKS-M80	40	25~40	15	7.5	4	2	50
UKS-M80	63	40~63	15	7.5	4	2	50
UKS-M80	80	56~80	15	7.5	4	2	50

起动器类型 Type of starter	UKS-M32															
	A	01	02	03	04	05	06	07	08	10	14	16	20	21	22	
额定值 Rated value	A	0.16	0.25	0.40	0.63	1	1.6	2.5	4	6.3	10	14	18	23	25	
短路时防热应力电线保护 (PVC绝缘铜导线) Heat protection stress wire protection at short-circuit condition (PVC insulated copper conductor)																
40℃最大Ics时的最小 保护电缆尺寸 Min protective cable dimension at 40℃ and max Ics	1mm <sup>2</sup>	-	-	-	-	-	-	-	-	≤10kA	≤6kA	(1)	(1)	(1)	(1)	
	1.5mm <sup>2</sup>	-	-	-	-	-	-	-	-	≤20kA	≤10kA	(1)	(1)	(1)	(1)	
	2.5...6mm <sup>2</sup>	-	-	-	-	-	-	-	-	-	-	-	-	-	-	

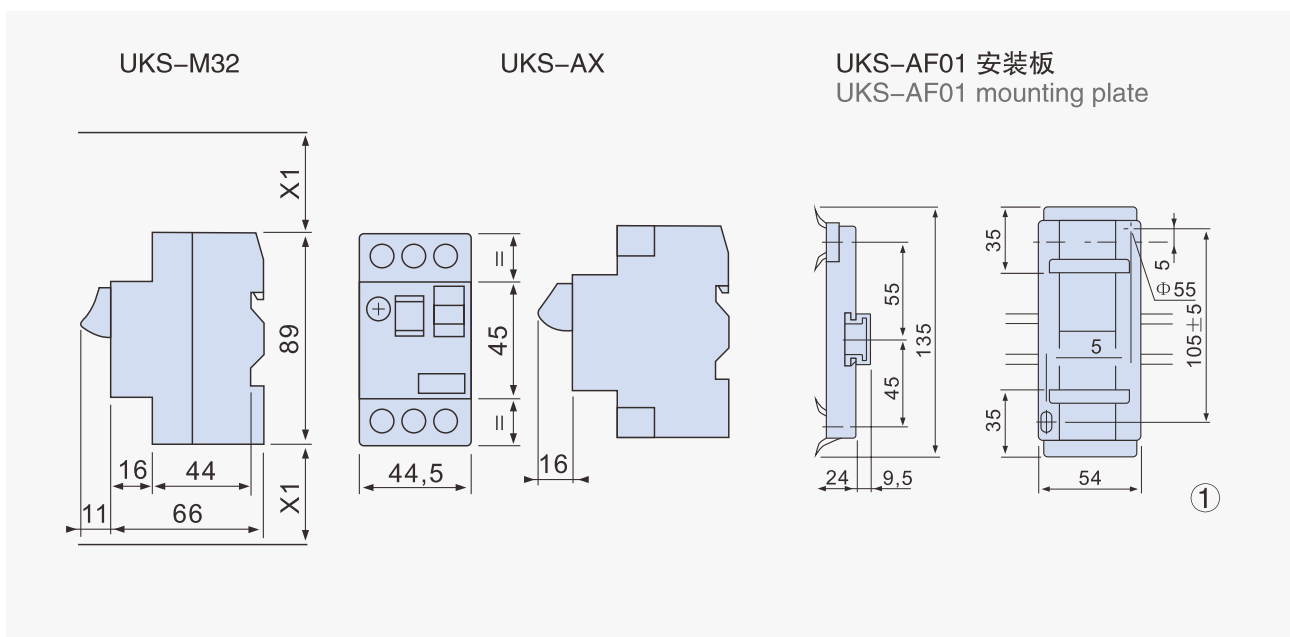
# UKS AC Motor Starter

UKS交流电动机起动器

型号 Model	脱扣器额定电流In(A) Fastener rated current In(A)	整定电流调节范围 (A) Tuning current adjustment range(A)	只有当预期短路电流 $I_{cc} > I_{cu}$ 额定极限短路分断能力时需要备用熔断器的熔体电流规格 The melt current specification of the spare fuse is required only if the expected short-circuit current $I_{cc} > I_{cu}$ The rated limit short-circuit breaking capacity									
			230/240V		400/415V		400V		500V		690V	
			aM A	gl/gG A	aM A	gl/gG A	aM A	gl/gG A	aM A	gl/gG A	aM A	gl/gG A
UKS-M32	0.16	0.1~0.16	★	★	★	★	★	★	★	★	★	★
UKS-M32	0.25	0.16~0.25	★	★	★	★	★	★	★	★	★	★
UKS-M32	0.4	0.25~0.4	★	★	★	★	★	★	★	★	★	★
UKS-M32	0.63	0.4~0.63	★	★	★	★	★	★	★	★	★	★
UKS-M32	1	0.63~1	★	★	★	★	★	★	★	★	★	★
UKS-M32	1.6	1~1.6	★	★	★	★	★	★	★	★	★	20
UKS-M32	2.5	1.6~2.5	★	★	★	★	★	★	★	★	16	32
UKS-M32	4	2.5~4	★	★	★	★	★	★	★	★	25	40
UKS-M32	6.3	4~6.3	★	★	★	★	50	63	50	63	32	40
UKS-M32	10	6~10	★	★	★	★	50	63	50	63	32	40
UKS-M32	14	9~14	★	★	63	80	50	63	50	63	40	50
UKS-M32	18	13~18	★	★	63	80	50	63	50	63	40	50
UKS-M32	23	17~23	80	100	80	100	63	80	50	63	40	50
UKS-M32	25	20~25	80	100	80	100	63	80	50	63	40	50
UKS-M32	32	24~32	80	100	80	100	63	80	50	63	40	50
UKS-M80	25	16~25	-	-	250	315	-	-	-	-	160	200
UKS-M80	40	25~40	-	-	250	315	-	-	-	-	160	200
UKS-M80	63	40~63	-	-	315	400	-	-	-	-	200	250
UKS-M80	80	56~80	-	-	315	400	-	-	-	-	200	250

## 外形尺寸和安装尺寸

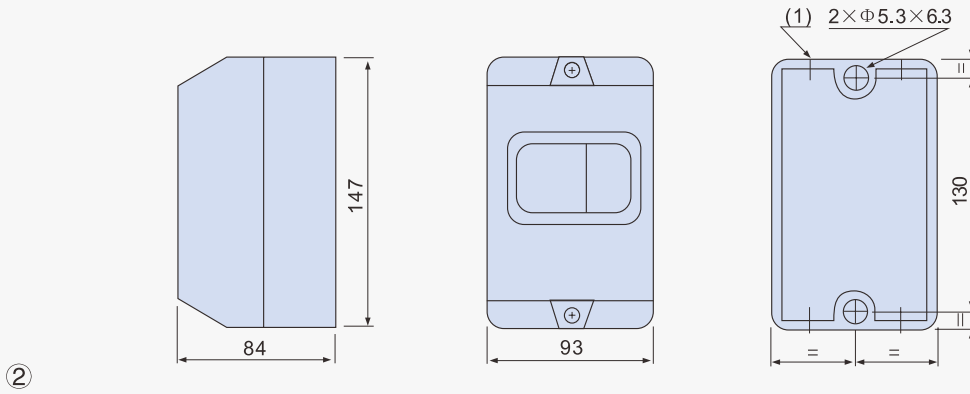
Outline dimension and installation dimension



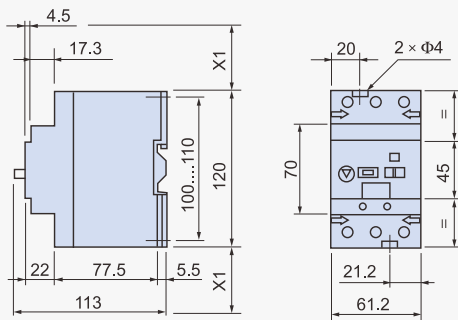
# UKS AC Motor Starter

UKS交流电动机起动器

表面安装外壳UKS-MCO  
Surface mounting enclosure UKS-MCO



电动机断路器UKS-M80  
Circuit breaker of motor UKS-M80

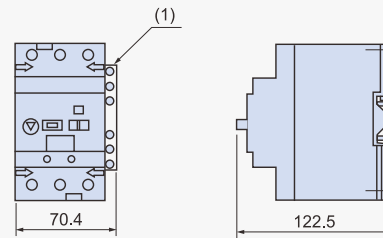


X1=电气间隙  
X1= electrical clearance

40mm, 适用于Ue<500V  
40mm, suitable for Ue<500V

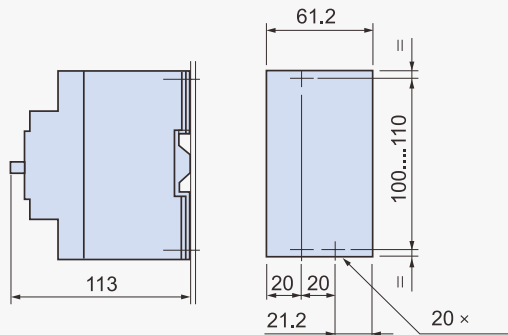
UKS-A01  
至A07模块  
Modules of  
UKS-A01 to A07

在AM1DE200或  
AM1-ED201导轨上  
On AM1DE200 or  
AM1-ED201 guide rail



50mm, 适用于Ue<690V  
50mm, suitable for Ue<690V

④ 安装在面板之上  
Be installed on panel



④ 在多孔安装板AM1-PA上  
On multi-hole mounting plate AM1-PA

