

# KRIPAL

工业机械联锁

## Industrial Interlocked Switch Socket



工业插头 / 插座  
连接器产品系列

Industrial Plugs,  
Wall Mounted Socket, Connector

# Plug In Device

## 接插装置

### Outline

#### 概述

UKS系列接插装置，是我公司根据国家相关标准和用户实际需要开发的电气产品，具有防护等级高、安全可靠、外形美观、接线方便、使用寿命长等特点。产品主要有插头、插座、连接器、附加插头、附加插座、机械联锁、低压系列、大电流系列、专用冷藏集装箱等，适用范围广泛。此系列产品改进了抓握进出便于插拔操作的设计，外部电缆紧固装置能够保护内部垫圈，带电导体的接触载体都是采用耐高温的材料，整体防护等级达到IP44或IP67，更好提高了安全性。产品广泛应用于石油、化工、冶金、电厂、煤矿、机械、轻纺、港口、码头等行业。

As per the relative standards and real needs of users, UKS series plug socket are developed with the features of high ingress protection, safety & reliability, amazing structure, easy wiring, long life time and others. The main products are plug, connector, panel mounted plug socket, wall mounted plug socket, interlock switch socket, low-voltage series, high-current series and refrigerated container series. For the better safety performance, the improvements are performed as follow; a. the improved design of easy operation; b. inner gasket protected by external cable grip; c. high heat-resistant materials of electric contact carriers; d. Ingress protection: IP44/IP67. On the basis of these, our products are widely used in oil, chemical industry, metallurgy, power plants, coal mines, machinery, textile, ports, docks and other industries.

### The Model Definition

#### 产品名称示意图

UK □ - □ □ □ □ □ - □

地线方向位置: Position of grounding:  
6:6h; 7:7h; 12:12h; 2:2h; 9:9h; 4:4h; 10:10h;

安装方式: 1. 向内倾斜20°; 2. 中心固定;  
Installation: 1: inward tilt 20°; 2: central fixation;

电压 Voltage: 3. 20V-25V; 4. 40V-50V; 5. 安装尺寸 Dimension: 3. 20V-25V; 4. 40V-50V;

IP等级 IP Rating: 4: IP44; 6: IP67;

级数 Pole: 2:2P 3:3P 4:4P 5:5P

规格 Specification: 16A、32A、63A、125A、250A、420A

名称Name:

A 插头	B 附加插座	C 连接器	D 装置插头	E 附加装置插头	F 插座
G 相位转换插头	H 相序检测插头	I 机械连锁A	J 机械连锁B		
K 相位转换附加装置插头	L 相位转换装置插头	M 插座带开关			
N 明装插头	O 机械连锁和DIN标准安装导轨				

A Plug	B Panel mounted socket	C Connector	D Wall mounted plug	E Panel mounted plug
F Wall mounted socket	G Phase inverter plug	H Phase rotation test plug		
I Interlocked switch socket A	J Interlockde switch socket B	K Phase-inverter panel mounted plug		
L Phase-inverter wall mounted plug	M Switch socket	N Surface mounted plug		
O Mechanical interlock & Din Installation				

代号: S (标准型); S2 (分体式); S3(和谐系列)  
Code: S (Standard) S2: (Split) S3: (Hexie Series)

企业代号: 浙江科瑞普电气有限公司  
Enterprise symbol: zhejiang KRIPAL Electric Co., Ltd

### The Main Parameter (Please check in the detailed classifications.)

#### 主要技术指标 (详见分类)

#### ■ 使用 Usage

用户需正确接入电源线，使用时，请不要带电插拔。  
Please power off first before operating plug in/pull out it.

#### ■ 维护 Maintenance

接插装置虽具有耐腐蚀、抗冲击和特性，但用户使用中还应保持产品表面和内部整洁，随时除去油污、水垢、灰尘和其它附着于表面的脏物。

Plug sockets are corrosion & impact resistance, and please keep the products clean and wipe the oil, scale, dust and other dirt away.

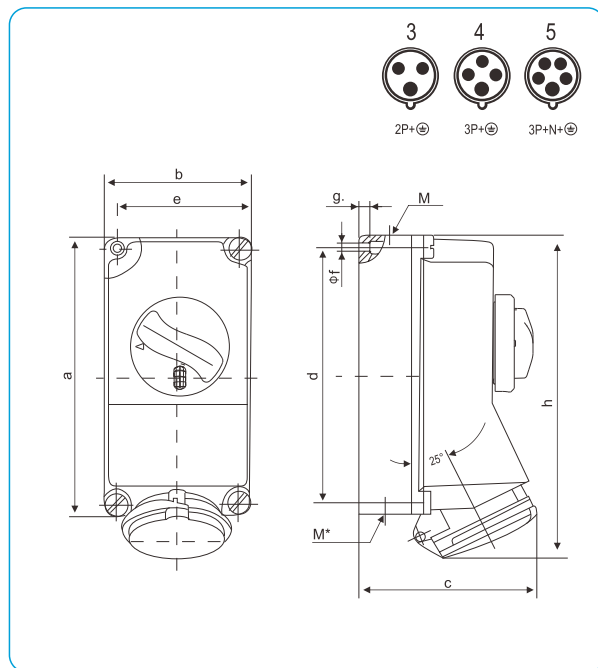
#### ■ 订货须知 Order

用户订货只须写明规格型号及订货数量即可。如有特殊要求，我们也可根据用户要求专业制作。

Please specify the details and quantity when you place orders. Customization is available if special requirements are needed.

# Interlocked Switch SocketA

机械联锁A



## Description

选型

电流(A) Current(A)	极数 Pole	110 V 50 a. 60 Hz 3P 4P 5P 4h 4h 4h	230 V 50 a. 60 Hz 3P 4P 5P 6h 3h 9h	400 V 50 a. 60 Hz 3P 4P 5P 9h 6h 6h	500 V 50 a. 60 Hz 3P 4P 5P 7h 7h 7h	>50-500V 100-300Hz 3P 4P 5P 10h 10h 10h	>50-500V a.300-500Hz 3P 4P 2h 2h
16	3	UKS-I134-4	<b>UKS-I134-6</b>	UKS-I134-9	UKS-I134-7		
16	4	UKS-I144-4	UKS-I144-9	UKS-I144-6	UKS-I144-7		
16	5	UKS-I154-4	UKS-I154-9	UKS-I154-6	UKS-I154-7		
32	3	UKS-I234-4	UKS-I234-6	UKS-I234-9	UKS-I234-7		
32	4	UKS-I244-4	UKS-I244-9	UKS-I244-6	UKS-I244-7		
32	5	UKS-I254-4	UKS-I254-9	UKS-I254-6	UKS-I254-7		
63	3	UKS-I334-4	UKS-I334-6	UKS-I334-9	UKS-I334-7		
63	4	UKS-I344-4	UKS-I344-9	UKS-I344-6	UKS-I344-7		
63	5	UKS-I354-4	UKS-I354-9	UKS-I354-6	UKS-I354-7		

▲ IP 44 CEE / IEC 插座、开关、带机械联锁

▲ IP 44 CEE / IEC Switched socket with mechanical interlock

## Parameter

参数

电流(A) Current (A)	16			32			63			
极数 Pole (P)	3	4	5	3	4	5	3	4	5	
尺寸 Dimension (mm)	a	225	225	225	225	225	225	264	264	264
	b	118	118	118	118	118	118	163	163	163
	c	141	141	146	146	146	141	192	192	192
	d	208	208	208	208	208	208	240	240	240
	e	101	101	101	101	101	101	140	140	140
	f	6.3	6.3	6.3	6.3	6.3	6.3	8.1	8.1	8.1
	g	8	8	8	8	8	8	8	8	8
	h	250	252	254	264	264	264	300	300	300
	M	2x32	2x32	2x32	2x32	2x32	2x32	40	40	40
	M*	2x25	2x25	2x25	2x25	2x25	2x25	2x40	2x40	2x40
最大电缆直径 Max cable diameter (mm)		25	25	25	25	25	25	32	32	32
导线横截面积从最小至最大 Conductor cross section (mm <sup>2</sup> ) Min.-max.		1.5	1.5	1.5	2.5	2.5	2.5	6	6	6
		-4	-4	-4	-10	-10	-10	-25	-25	-25

其它电压和频率的产品请来函询问 Other requirements, please contact us freely

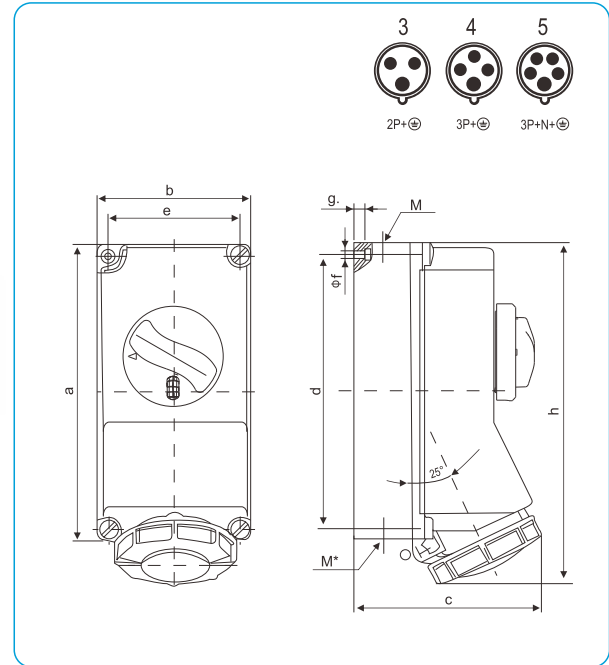
German industrial standard: DIN VDE 0623, European / International standard: EN/IEC 60309-2

◆ 符合德国工业标准 DIN VDE 0623, 欧洲/国际标准 EN/IEC 60309-2

www.kripal.com

# Interlocked Switch Socket A

机械联锁A



## Description

选型

电流(A) Current(A)	极数 Pole	110 V 50 a. 60 Hz			230 V 50 a. 60 Hz			400 V 50 a. 60 Hz			500 V 50 a. 60 Hz			>50-500V 100-300Hz			>50-500V a.300-500Hz		
		3P 4h	4P 4h	5P 4h	3P 6h	4P 3h	5P 9h	3P 9h	4P 6h	5P 6h	3P 7h	4P 7h	5P 7h	3P 10h	4P 10h	5P 10h	3P 2h	4P 2h	
16	3	UKS-I136-4			UKS-I136-6			UKS-I136-9			UKS-I136-7								
16	4	UKS-I146-4			UKS-I146-9			UKS-I146-6			UKS-I146-7								
16	5	UKS-I156-4			UKS-I156-9			UKS-I156-6			UKS-I156-7								
32	3	UKS-I236-4			UKS-I236-6			UKS-I236-9			UKS-I236-7								
32	4	UKS-I246-4			UKS-I246-9			UKS-I246-6			UKS-I246-7								
32	5	UKS-I256-4			UKS-I256-9			UKS-I256-6			UKS-I256-7								
63	3	UKS-I336-4			UKS-I336-6			UKS-I336-9			UKS-I336-7								
63	4	UKS-I346-4			UKS-I346-9			UKS-I346-6			UKS-I346-7								
63	5	UKS-I356-4			UKS-I356-9			UKS-I356-6			UKS-I356-7								
125	3	UKS-I436-4			UKS-I436-6			UKS-I436-9			UKS-I436-7								
125	4	UKS-I446-4			UKS-I446-9			UKS-I446-6			UKS-I446-7								
125	5	UKS-I456-4			UKS-I456-9			UKS-I456-6			UKS-I456-7								

▲ IP 67 CEE / IEC 插座、开关、带机械联锁

▲ IP 67 CEE / IEC Switched socket with mechanical interlock

## Parameter

参数

电流(A) Current (A)	16			32			63			125		
极数 Pole (P)	3	4	5	3	4	5	3	4	5	3	4	5
尺寸 Dimension (mm)	a	225	225	225	225	225	264	264	264	501		
	b	118	118	118	118	118	163	163	163	194		
	c	144	146	147	152	152	153	196	196	213		
	d	208	208	208	208	208	208	240	240	477		
	e	101	101	101	101	101	101	140	140	170		
	f	6.3	6.3	6.3	6.3	6.3	6.3	8.1	8.1	8.1		
	g	8	8	8	8	8	8	8	8	13		
	h	252	255	259	268	268	274	300	300	550		
	M	2x32	2x32	2x32	2x32	2x32	2x32	40	40	1X40+1X50		
	M*	2x25	2x25	2x25	2x25	2x25	2x25	2x40	2x40	1X40+1X50		
最大电缆直径 Max cable diameter (mm)		25	25	25	25	25	32	32	32	38		
导线横截面积从最小至最大 Conductor cross section (mm <sup>2</sup> ) Min.-max.		1.5	1.5	1.5	2.5	2.5	2.5	6	6	25		
		-4	-4	-4	-10	-10	-10	-25	-25	-35		

Other requirements, please contact us freely 其它电压和频率的产品请来函询问

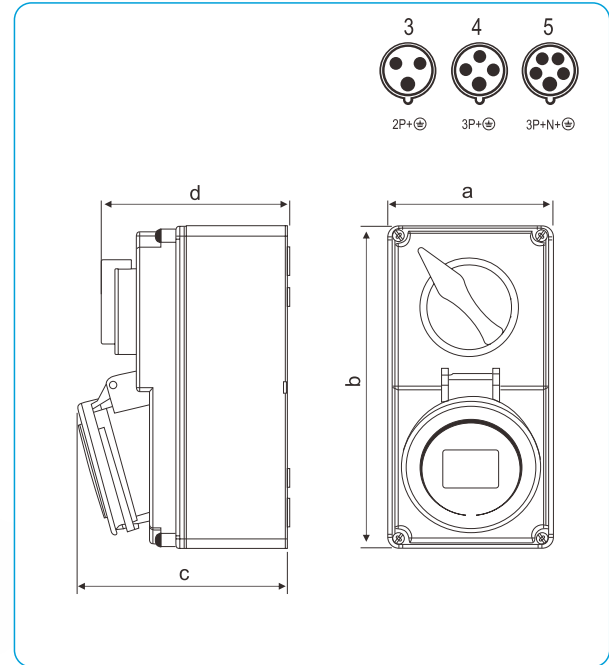
German industrial standard: DIN VDE 0623, European / International standard: EN/IEC 60309-2

www.kripal.com ◆符合德国工业标准 DIN VDE 0623, 欧洲/国际标准EN/IEC 60309-2

**KRIPAL**

# Interlocked Switch Socket B

机械联锁B



## Description 选型

电流(A) Current(A)	极数 Pole	110 V 50 a. 60 Hz 3P 4P 5P 4h 4h 4h	230 V 50 a. 60 Hz 3P 4P 5P 6h 6h 9h	400 V 50 a. 60 Hz 3P 4P 5P 9h 6h 6h	500 V 50 a. 60 Hz 3P 4P 5P 7h 7h 7h	>50-500V 100-300Hz 3P 4P 5P 10h 10h 10h	>50-500V a.300-500Hz 3P 4P 2h 2h
16	3	UKS-J134-4	UKS-J134-6	UKS-J134-9	UKS-J134-7		
16	4	UKS-J144-4	UKS-J144-9	UKS-J144-6	UKS-J144-7		
16	5	UKS-J154-4	UKS-J154-9	UKS-J154-6	UKS-J154-7		
32	3	UKS-J234-4	UKS-J234-6	UKS-J234-9	UKS-J234-7		
32	4	UKS-J244-4	UKS-J244-9	UKS-J244-6	UKS-J244-7		
32	5	UKS-J254-4	UKS-J254-9	UKS-J254-6	UKS-J254-7		

▲ IP 44 CEE / IEC 插座、开关、带机械联锁

▲ IP 44 CEE / IEC Switched socket with mechanical interlock

## Parameter 参数

电流(A) Current (A)	16			32					
极数 Pole (P)	3	4	5	3	4	5			
尺寸 Dimension (mm)	a	90	90	90	90	90			
	b	180	180	180	180	180			
	c	115	116	117	123	123			
	d	105	105	105	105	105			
最大电缆直径 Max cable diameter (mm)		25	25	25	25	25			
导线横截面积从最小至最大 Conductor cross section (mm <sup>2</sup> ) Min.-max.		1.5	1.5	1.5	2.5	2.5			
		-4	-4	-4	-10	-10			

其它电压和频率的产品请来函询问 Other requirements, please contact us freely

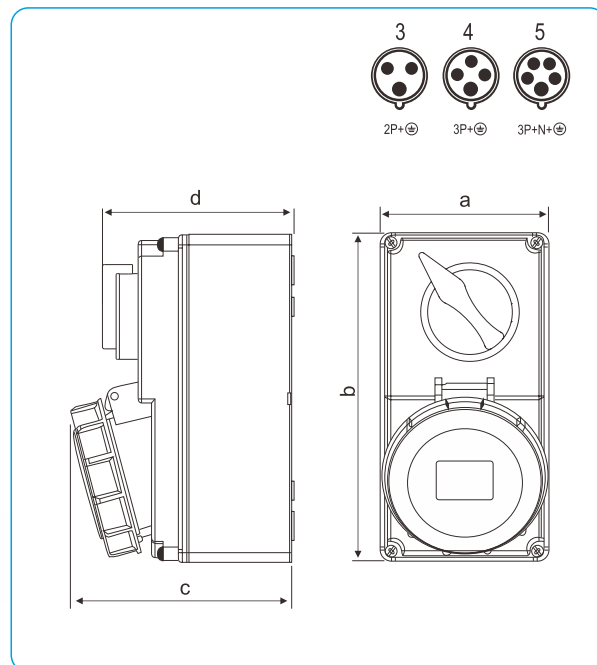
German industrial standard: DIN VDE 0623, European / International standard: EN/IEC 60309-2

◆ 符合德国工业标准 DIN VDE 0623, 欧洲/国际标准EN/IEC 60309-2

www.kripal.com

# Interlocked Switch Socket B

机械联锁B



## Description

选型

电流(A) Current(A)	极数 Pole	110 V 50 a. 60 Hz 3P 4P 5P 4h 4h 4h	230 V 50 a. 60 Hz 3P 4P 5P 6h 3h 9h	400 V 50 a. 60 Hz 3P 4P 5P 9h 6h 6h	500 V 50 a. 60 Hz 3P 4P 5P 7h 7h 7h	>50-500V 100-300Hz 3P 4P 5P 10h 10h 10h	>50-500V a.300-500Hz 3P 4P 2h 2h
16	3	UKS-J136-4	UKS-J136-6	UKS-J136-9	UKS-J136-7		
16	4	UKS-J146-4	UKS-J146-9	UKS-J146-6	UKS-J146-7		
16	5	UKS-J156-4	UKS-J156-9	UKS-J156-6	UKS-J156-7		
32	3	UKS-J236-4	UKS-J236-6	UKS-J236-9	UKS-J236-7		
32	4	UKS-J246-4	UKS-J246-9	UKS-J246-6	UKS-J246-7		
32	5	UKS-J256-4	UKS-J256-9	UKS-J256-6	UKS-J256-7		

▲ IP 67 CEE / IEC 插座、开关、带机械联锁

▲ IP 67 CEE / IEC Switched socket with mechanical interlock

## Parameter

参数

电流(A) Current (A)		16			32					
极数 Pole (P)		3	4	5	3	4	5			
尺寸 Dimension (mm)	a	90	90	90	90	90	90			
	b	180	180	180	180	180	180			
	c	115	116	117	123	123	124			
	d	105	105	105	105	105	105			
最大电缆直径 Max cable diameter (mm)		25	25	25	25	25	25			
导线横截面积从最小至最大 Conductor cross section (mm <sup>2</sup> ) Min.-max.		1.5	1.5	1.5	2.5	2.5	2.5			
		-4	-4	-4	-10	-10	-10			

Other requirements, please contact us freely 其它电压和频率的产品请来函询问

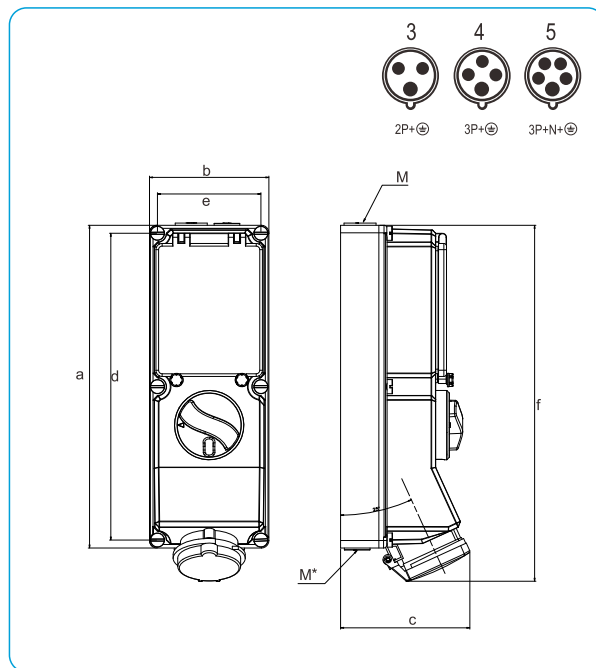
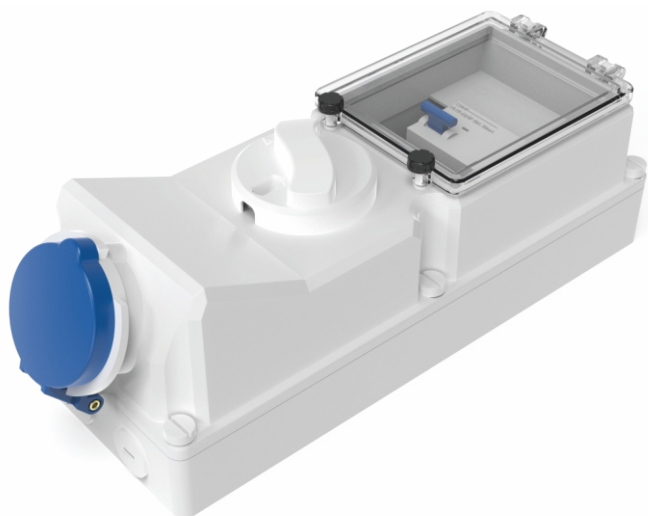
German industrial standard: DIN VDE 0623, European / International standard: EN/IEC 60309-2

www.kripal.com ◆符合德国工业标准 DIN VDE 0623, 欧洲/国际标准EN/IEC 60309-2

**KRIPAL**

# Mechanical interlock & Din Installation

机械连锁和DIN标准安装导轨



**Description**  
选型

电流(A) Current(A)	极数 Pole	110 V 50 a. 60 Hz 3P 4P 5P 4h 4h 4h	230 V 50 a. 60 Hz 3P 4P 5P 6h 3h 9h	400 V 50 a. 60 Hz 3P 4P 5P 9h 6h 6h	500 V 50 a. 60 Hz 3P 4P 5P 7h 7h 7h	>50-500V 100-300Hz 3P 4P 5P 10h 10h 10h	>50-500V a.300-500Hz 3P 4P 2h 2h
16	3	UKS-0134-4	UKS-0134-6	UKS-0134-9	UKS-0134-7		
16	4	UKS-0144-4	UKS-0144-9	UKS-0144-6	UKS-0144-7		
16	5	UKS-0154-4	UKS-0154-9	UKS-0154-6	UKS-0154-7		
32	3	UKS-0234-4	UKS-0234-6	UKS-0234-9	UKS-0234-7		
32	4	UKS-0244-4	UKS-0244-9	UKS-0244-6	UKS-0244-7		
32	5	UKS-0254-4	UKS-0254-9	UKS-0254-6	UKS-0254-7		
63	3	UKS-0334-4	UKS-0334-6	UKS-0334-9	UKS-0334-7		
63	4	UKS-0344-4	UKS-0344-9	UKS-0344-6	UKS-0344-7		
63	5	UKS-0354-4	UKS-0354-9	UKS-0354-6	UKS-0354-7		

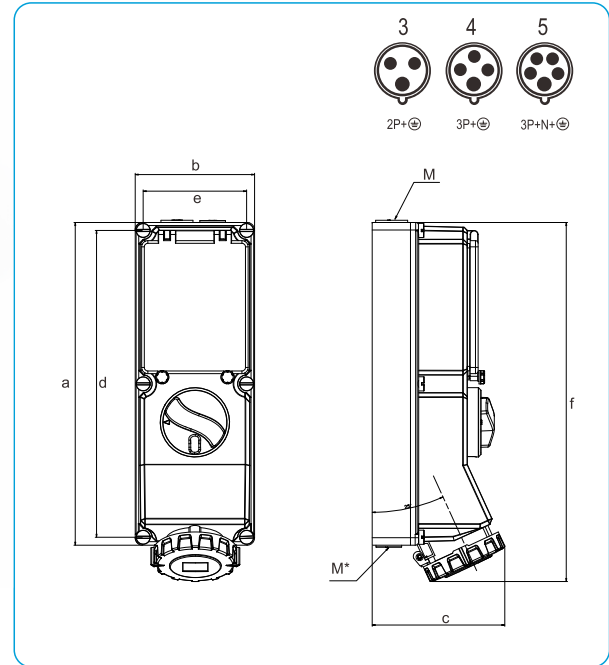
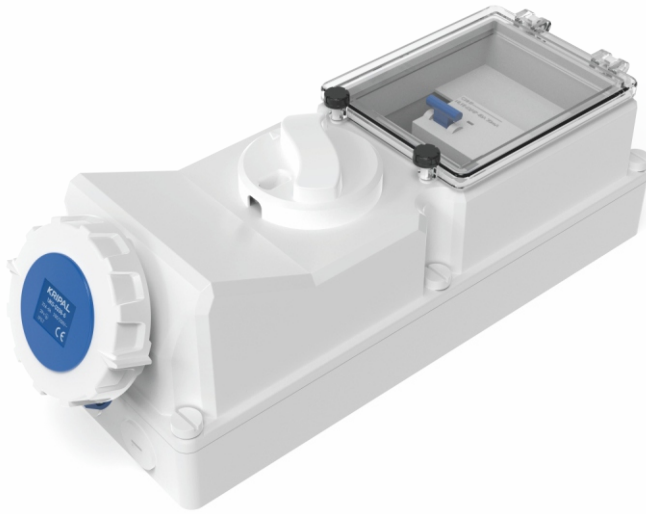
- ▲ IP 44 CEE / IEC 插座、开关、带机械连锁
- ▲ IP 44 CEE / IEC Switched socket with mechanical interlock

**Parameter**  
参数

电流(A) Current (A)	16			32			63		
极数 Pole (P)	3	4	5	3	4	5	3	4	5
尺寸 Dimension (mm)	a	365			365			460	
	b	135			135			190	
	c	146			146			190	
	d	347			347			440	
	e	117			117			170	
	f	403			403			498	
	M	1X25 1X32			1X25 1X32			1x40	
	M*	2X25			2X25			2x40	
最大电缆直径 Max cable diameter (mm)		25			25			32	
导线横截面积从最小至最大 Conductor cross section (mm²) Min.-max.		1.5			2.5			6	
		- 4			- 10			- 25	

# Mechanical interlock & Din Installation

机械连锁和DIN标准安装导轨



## Description

选型

电流(A) Current(A)	极数 Pole	110 V 50 a. 60 Hz 3P 4P 5P 4h 4h 4h	230 V 50 a. 60 Hz 3P 4P 5P 6h 3h 9h	400 V 50 a. 60 Hz 3P 4P 5P 9h 6h 6h	500 V 50 a. 60 Hz 3P 4P 5P 7h 7h 7h	>50-500V 100-300Hz 3P 4P 5P 10h 10h 10h	>50-500V a.300-500Hz 3P 4P 2h 2h
16	3	UKS-0136-4	UKS-0136-6	UKS-0136-9	UKS-0136-7		
16	4	UKS-0146-4	UKS-0146-9	UKS-0146-6	UKS-0146-7		
16	5	UKS-0156-4	UKS-0156-9	UKS-0156-6	UKS-0156-7		
32	3	UKS-0236-4	UKS-0236-6	UKS-0236-9	UKS-0236-7		
32	4	UKS-0246-4	UKS-0246-9	UKS-0246-6	UKS-0246-7		
32	5	UKS-0256-4	UKS-0256-9	UKS-0256-6	UKS-0256-7		
63	3	UKS-0336-4	UKS-0336-6	UKS-0336-9	UKS-0336-7		
63	4	UKS-0346-4	UKS-0346-9	UKS-0346-6	UKS-0346-7		
63	5	UKS-0356-4	UKS-0356-9	UKS-0356-6	UKS-0356-7		
125	3	UKS-0436-4	UKS-0436-6	UKS-0436-9	UKS-0436-7		
125	4	UKS-0446-4	UKS-0446-9	UKS-0446-6	UKS-0446-7		
125	5	UKS-0456-4	UKS-0456-9	UKS-0456-6	UKS-0456-7		

▲ IP 67 CEE / IEC 插座、开关、带机械连锁

▲ IP 67 CEE / IEC Switched socket with mechanical interlock

## Parameter

参数

电流(A) Current (A)	16			32			63			125		
极数 Pole (P)	3	4	5	3	4	5	3	4	5	3	4	5
尺寸 Dimension (mm)	a	365		365			460			501		
	b	135		135			190			194		
	c	150		150			193			213		
	d	347		347			440			477		
	e	117		117			170			170		
	f	406		406			499			550		
	M	1X25 1X32		1X25 1X32			1x40			1X40+1X50		
	M*	2X25		2X25			2x40			1X40+1X50		
最大电缆直径 Max cable diameter (mm)		25		25			32			38		
导线横截面积从最小至最大 Conductor cross section (mm <sup>2</sup> ) Min.-max.		1.5		2.5			6			25		
		-4		-10			-25			-35		

Other requirements, please contact us freely 其它电压和频率的产品请来函询问

German industrial standard: DIN VDE 0623, European / International standard: EN/IEC 60309-2

www.kripal.com • 符合德国工业标准 DIN VDE 0623, 欧洲/国际标准EN/IEC 60309-2

**KRIPAL**