

KRIPAL

工业插头 / 插座 连接器产品系列

Industrial Plugs, Wall Mounted Socket, Connector



Plug In Device

接插装置

Outline

概述

UKS系列接插装置，是我公司根据国家相关标准和用户实际需要开发的电气产品，具有防护等级高、安全可靠、外形美观、接线方便、使用寿命长等特点。产品主要有插头、插座、连接器、附加插头、附加插座、机械联锁、低压系列、大电流系列、专用冷藏集装箱等，适用范围广泛。此系列产品改进了抓握进出便于插拔操作的设计，外部电缆紧固装置能够保护内部垫圈，带电导体的接触载体都是采用耐高温的材料，整体防护等级达到IP44或IP67，更好提高了安全性。产品广泛应用于石油、化工、冶金、电厂、煤矿、机械、轻纺、港口、码头等行业。

As per the relative standards and real needs of users, UKS series plug socket are developed with the features of high ingress protection, safety & reliability, amazing structure, easy wiring, long life time and others. The main products are plug, connector, panel mounted plug socket, wall mounted plug socket, interlockes switch socket, low-voltage series, high-current series and refrigerated container series. For the better safety performance, the improvements are performed as follow; a. the improved design of easy operation; b. inner gasket protected by external cable grip; c. high heat-resistant materials of electric contact carriers; d. Ingress protection: IP44/IP67. On the basis of these, our products are wildy used in oil, chemical industry, metallurgy, power plants, coal mines, machinery, textile, ports, docks and other industries.

The Model Definiton

产品名称示意图

UK □ - □ □ □ □ □ - □

地线方向位置: Position of grounding:
6:6h; 7:7h; 12:12h; 2:2h; 9:9h; 4:4h; 10:10h;

安装方式: 1. 向内倾斜20°; 2. 中心固定;
Installation: 1: inward tilt 20°; 2: central fixation;

电压 Voltage: 3. 20V-25V; 4. 40V-50V; 5. 安装尺寸 Dimension: 3. 20V-25V; 4. 40V-50V;

IP等级 IP Rating: 4: IP44; 6: IP67;

级数 Pole: 2:2P 3:3P 4:4P 5:5P

规格 Specification: 16A、32A、63A、125A、250A、420A

名称Name:

A 插头 B 附加插座 C 连接器 D 装置插头 E 附加装置插头 F 插座

G 相位转换插头 H 相序检测插头 I 机械连锁A J 机械连锁B

K 相位转换附加装置插头 L 相位转换装置插头 M 插座带开关

N 明装插头 O 机械连锁和DIN标准安装导轨

A Plug B Panel mounted socket C Connector D Wall mounted plug E Panel mounted plug

F Wall mounted socket G Phase inverter plug H Phase rotation test plug

I Interlocked switch socket A J Interlockde switch socket B K Phase-inverter panel mounted plug

L Phase-inverter wall mounted plug M Switch socket N Surface mounted plug

O Mechanical interlock & Din Installation

代号: S (标准型); S2 (分体式); S3(和谐系列)

Code: S(Standard) S2:(Split) S3:(Hexie Series)

企业代号: 浙江科瑞普电气有限公司

Enterprise symbol: zhejiang KRIPAL Electric Co., Ltd

The Main Parameter (Please check in the detailed classifications.)

主要技术指标 (详见分类)

■ 使用 Usage

用户需正确接入电源线，使用时，请不要带电插拔。
Please power off first before operating plug in/pull out it.

■ 维护 Maintenance

接插装置虽具有耐腐蚀、抗冲击和特性，但用户使用中还应保持产品表面和内部整洁，随时除去油污、水垢、灰尘和其它附着于表面的脏物。

Plug sockets are corrosion & impact resistance, and please keep the products clean and wipe the oil, scale, dust and other dirt away.

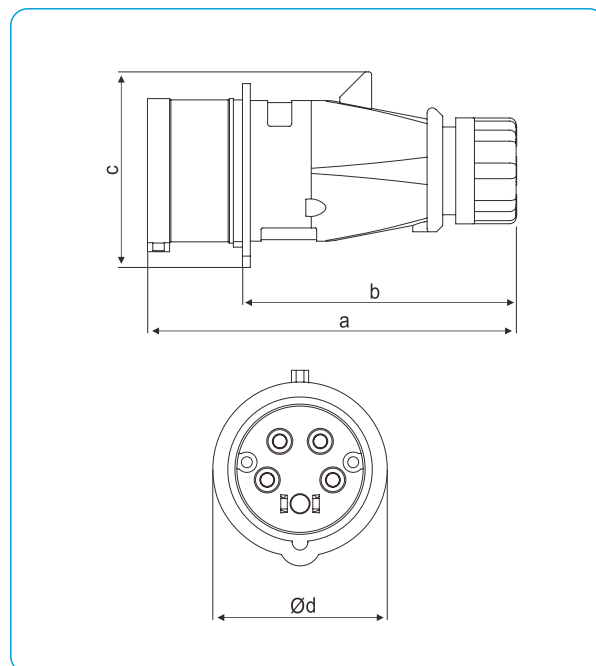
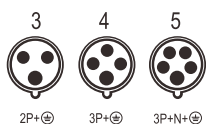
■ 订货须知 Order

用户订货只须写明规格型号及订货数量即可。如有特殊要求，我们也可根据用户要求专业制作。

Please specify the details and quantity when you place orders. Customization is available if special requirements are needed.

Plug

插头



Description

选型

电流(A) Current(A)	极数 Pole	110 V 50 a. 60 Hz 3P 4P 5P 4h 4h 4h	230 V 50 a. 60 Hz 3P 4P 5P 6h 3h 9h	400 V 50 a. 60 Hz 3P 4P 5P 9h 6h 6h	500 V 50 a. 60 Hz 3P 4P 5P 7h 7h 7h	>50-500V 100-300Hz 3P 4P 5P 10h 10h 10h	>50-500V a.300-500Hz 3P 4P 2h 2h
16	3	UKS-A134-4	UKS-A134-6	UKS-A134-9	UKS-A134-7	UKS-A134-10	UKS-A134-2
16	4	UKS-A144-4	UKS-A144-9	UKS-A144-6	UKS-A144-7	UKS-A144-10	UKS-A144-2
16	5	UKS-A154-4	UKS-A154-9	UKS-A154-6	UKS-A154-7	UKS-A154-10	UKS-A154-2
32	3	UKS-A234-4	UKS-A234-6	UKS-A234-9	UKS-A234-7	UKS-A234-10	UKS-A234-2
32	4	UKS-A244-4	UKS-A244-9	UKS-A244-6	UKS-A244-7	UKS-A244-10	UKS-A244-2
32	5	UKS-A254-4	UKS-A254-9	UKS-A254-6	UKS-A254-7	UKS-A254-10	UKS-A254-2

▲ IP 44 CEE / IEC 插头，带螺钉接线端子，一体外壳结构

▲ IP 44 CEE / IEC Plug: screwed terminals, shell of integrated structure

Parameter

参数

电流(A) Current (A)	16			32			
极数 Pole (P)	3	4	5	3	4	5	
尺寸 Dimension (mm)	a	142	144	147	186	186	180
	b	105.2	110.5	110.5	141	141	137
	c	59	69.4	76	81	81	89.5
	d	53	59	67	70	70	77
导线横截面积从最小至最大 Conductor cross section (mm ²) Min.-max.	1.5	1.5	1.5	2.5	2.5	2.5	
	-4	-4	-4	-10	-10	-10	

其它电压和频率的产品请来函询问 Other requirements, please contact us freely

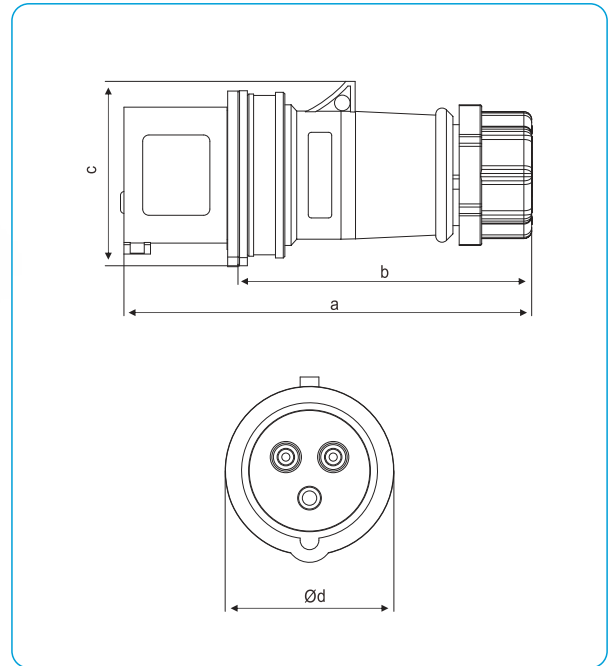
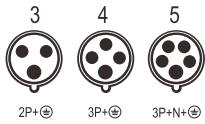
German industrial standard: DIN VDE 0623, European / International standard: EN/IEC 60309-2

www.kripal.com ◆ 符合德国工业标准 DIN VDE 0623, 欧洲/国际标准 EN/IEC 60309-2

KRIPAL

Plug

插头



Description

选型

电流(A) Current(A)	极数 Pole	110 V 50 a. 60 Hz			230 V 50 a. 60 Hz			400 V 50 a. 60 Hz			500 V 50 a. 60 Hz			>50-500V 100-300Hz			>50-500V a.300-500Hz	
		3P 4h	4P 4h	5P 4h	3P 6h	4P 9h	5P 9h	3P 9h	4P 6h	5P 6h	3P 7h	4P 7h	5P 7h	3P 10h	4P 10h	5P 10h	3P 2h	4P 2h
16	3	UKS2-A134-4	UKS2-A134-4	UKS2-A134-4	UKS2-A134-6	UKS2-A134-6	UKS2-A134-6	UKS2-A134-9	UKS2-A134-9	UKS2-A134-9	UKS2-A134-7	UKS2-A134-7	UKS2-A134-7	UKS2-A134-10	UKS2-A134-10	UKS2-A134-10	UKS2-A134-2	UKS2-A134-2
16	4	UKS2-A144-4	UKS2-A144-4	UKS2-A144-4	UKS2-A144-6	UKS2-A144-6	UKS2-A144-6	UKS2-A144-9	UKS2-A144-9	UKS2-A144-9	UKS2-A144-7	UKS2-A144-7	UKS2-A144-7	UKS2-A144-10	UKS2-A144-10	UKS2-A144-10	UKS2-A144-2	UKS2-A144-2
16	5	UKS2-A154-4	UKS2-A154-4	UKS2-A154-4	UKS2-A154-6	UKS2-A154-6	UKS2-A154-6	UKS2-A154-9	UKS2-A154-9	UKS2-A154-9	UKS2-A154-7	UKS2-A154-7	UKS2-A154-7	UKS2-A154-10	UKS2-A154-10	UKS2-A154-10	UKS2-A154-2	UKS2-A154-2
32	3	UKS2-A234-4	UKS2-A234-4	UKS2-A234-4	UKS2-A234-6	UKS2-A234-6	UKS2-A234-6	UKS2-A234-9	UKS2-A234-9	UKS2-A234-9	UKS2-A234-7	UKS2-A234-7	UKS2-A234-7	UKS2-A234-10	UKS2-A234-10	UKS2-A234-10	UKS2-A234-2	UKS2-A234-2
32	4	UKS2-A244-4	UKS2-A244-4	UKS2-A244-4	UKS2-A244-6	UKS2-A244-6	UKS2-A244-6	UKS2-A244-9	UKS2-A244-9	UKS2-A244-9	UKS2-A244-7	UKS2-A244-7	UKS2-A244-7	UKS2-A244-10	UKS2-A244-10	UKS2-A244-10	UKS2-A244-2	UKS2-A244-2
32	5	UKS2-A254-4	UKS2-A254-4	UKS2-A254-4	UKS2-A254-6	UKS2-A254-6	UKS2-A254-6	UKS2-A254-9	UKS2-A254-9	UKS2-A254-9	UKS2-A254-7	UKS2-A254-7	UKS2-A254-7	UKS2-A254-10	UKS2-A254-10	UKS2-A254-10	UKS2-A254-2	UKS2-A254-2

▲ IP 44 CEE / IEC 插头，带螺钉接线端子，省时外壳结构

▲ IP 44 CEE / IEC Plug: screwed terminals, enclosure with thread lock and safety slide

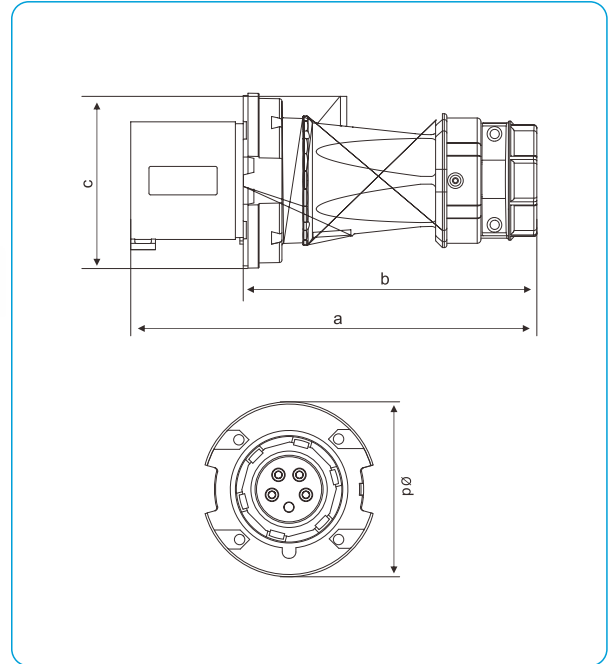
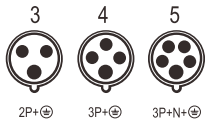
Parameter

参数

电流(A) Current (A)		16			32			
极数 Pole (P)		3	4	5	3	4	5	
尺寸 Dimension (mm)	a	130.5	135.5	140.5	157.5	157.5	167.5	
	b	94	99	104	112	112	122	
	c	59	67.5	75.8	81	81	89	
	d	54	60	68	71.3	71.3	77.8	
导线横截面积从最小至最大 Conductor cross section (mm ²) Min.-max.		1.5	1.5	1.5	2.5	2.5	2.5	
		- 4	- 4	- 4	- 10	- 10	- 10	

Plug

插头



Description

选型

电流(A) Current(A)	极数 Pole	110 V 50 a. 60 Hz 3P 4P 5P 4h 4h 4h	230 V 50 a. 60 Hz 3P 4P 5P 6h 3h 9h	400 V 50 a. 60 Hz 3P 4P 5P 9h 6h 6h	500 V 50 a. 60 Hz 3P 4P 5P 7h 7h 7h	>50-500V 100-300Hz 3P 4P 5P 10h 10h 10h	>50-500V a.300-500Hz 3P 4P 2h 2h
63	3	UKS-A334-4	UKS-A334-6	UKS-A334-9	UKS-A334-7		
63	4	UKS-A344-4	UKS-A344-9	UKS-A344-6	UKS-A344-7		
63	5	UKS-A354-4	UKS-A354-9	UKS-A354-6	UKS-A354-7		

▲ IP 44 CEE / IEC 插头，带外部电缆紧固装置及耐高温接触载体，插销表面镀镍

▲ IP 44 CEE / IEC Plug: external cable grip, highly heat resistant contact carrier, nickel plated contacts

Parameter

参数

电流(A) Current (A)	63			
极数 Pole (P)	3	4	5	
尺寸 Dimension (mm)	a	238.3	238.3	238.3
	b	172.3	172.3	172.3
	c	100.7	100.7	100.7
	d	102.5	102.5	102.5
导线横截面积从最小至最大 Conductor cross section (mm ²) Min.-max.	6	6	6	
	- 25	- 25	- 25	

Other requirements, please contact us freely 其它电压和频率的产品请来函询问

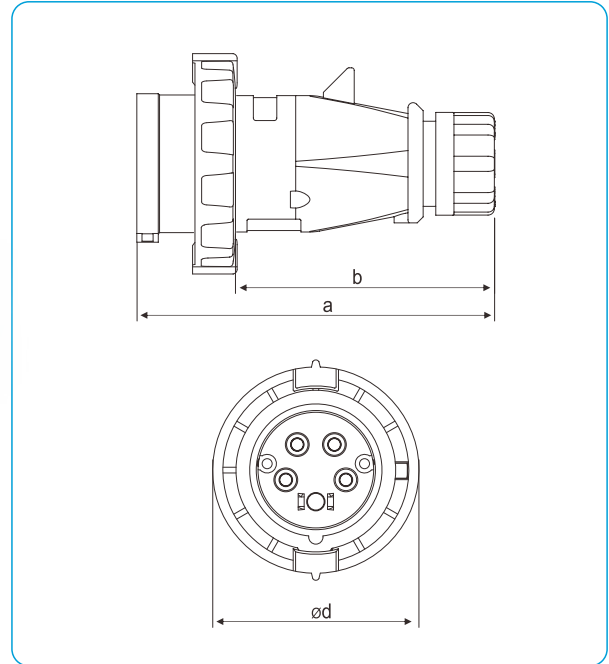
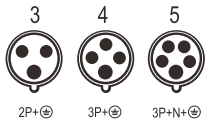
German industrial standard: DIN VDE 0623, European / Internationa standard: EN/IEC 60309-2

www.kripal.com ◆ 符合德国工业标准 DIN VDE 0623, 欧洲/国际标准EN/IEC 60309-2

KRIPAL

Plug

插头



Description

选型

电流(A) Current(A)	极数 Pole	110 V 50 a. 60 Hz 3P 4P 5P 4h 4h 4h	230 V 50 a. 60 Hz 3P 4P 5P 6h 9h 9h	400 V 50 a. 60 Hz 3P 4P 5P 9h 6h 6h	500 V 50 a. 60 Hz 3P 4P 5P 7h 7h 7h	>50-500V 100-300Hz 3P 4P 5P 10h 10h 10h	>50-500V a.300-500Hz 3P 4P 2h 2h
16	3	UKS-A136-4	UKS-A136-6	UKS-A136-9	UKS-A136-7	UKS-A136-10	UKS-A136-2
16	4	UKS-A146-4	UKS-A146-9	UKS-A146-6	UKS-A146-7	UKS-A146-10	UKS-A146-2
16	5	UKS-A156-4	UKS-A156-9	UKS-A156-6	UKS-A156-7	UKS-A156-10	UKS-A156-2
32	3	UKS-A236-4	UKS-A236-6	UKS-A236-9	UKS-A236-7	UKS-A236-10	UKS-A236-2
32	4	UKS-A246-4	UKS-A246-9	UKS-A246-6	UKS-A246-7	UKS-A246-10	UKS-A246-2
32	5	UKS-A256-4	UKS-A256-9	UKS-A256-6	UKS-A256-7	UKS-A256-10	UKS-A256-2

▲ IP 67 CEE / IEC 插头，带螺钉接线端子，一体外壳结构

▲ IP 67 CEE / IEC Plug: screwed terminals, shell of integrated structure

Parameter

参数

电流(A) Current (A)	16			32		
极数 Pole (P)	3	4	5	3	4	5
尺寸 Dimension (mm)	a	142	144	147	186	180
	b	97.2	102.5	102.5	133	129
	d	70	78	87	94	101
导线横截面积从最小至最大 Conductor cross section (mm ²) Min.-max.	1.5	1.5	1.5	2.5	2.5	2.5
	-4	-4	-4	-10	-10	-10

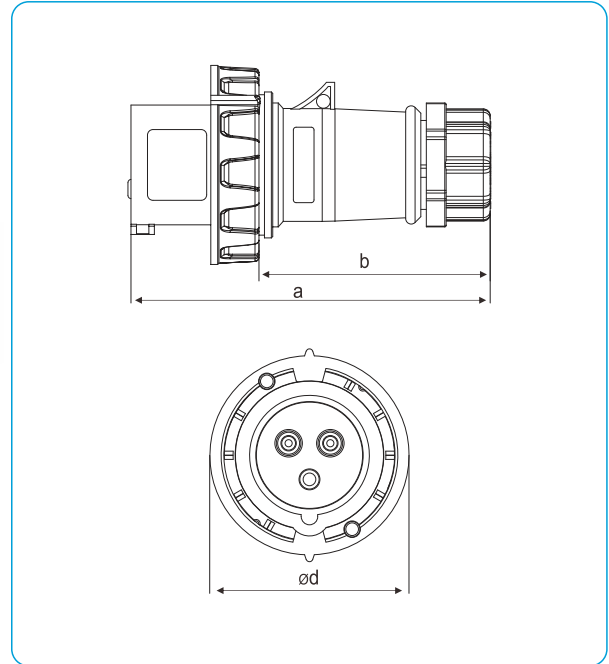
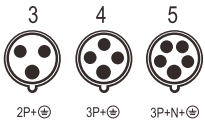
其它电压和频率的产品请来函询问 Other requirements, please contact us freely

German industrial standard: DIN VDE 0623, European / International standard: EN/IEC 60309-2

◆ 符合德国工业标准 DIN VDE 0623, 欧洲/国际标准 EN/IEC 60309-2 www.kripal.com

Plug

插头



Description

选型

电流(A) Current(A)	极数 Pole	110 V 50 a. 60 Hz 3P 4P 5P 4h 4h 4h	230 V 50 a. 60 Hz 3P 4P 5P 6h 3h 9h	400 V 50 a. 60 Hz 3P 4P 5P 9h 6h 6h	500 V 50 a. 60 Hz 3P 4P 5P 7h 7h 7h	>50-500V 100-300Hz 3P 4P 5P 10h 10h 10h	>50-500V a.300-500Hz 3P 4P 2h 2h
16	3	UKS2-A136-4	UKS2-A136-6	UKS2-A136-9	UKS2-A136-7	UKS2-A136-10	UKS2-A136-2
16	4	UKS2-A146-4	UKS2-A146-9	UKS2-A146-6	UKS2-A146-7	UKS2-A146-10	UKS2-A146-2
16	5	UKS2-A156-4	UKS2-A156-9	UKS2-A156-6	UKS2-A156-7	UKS2-A156-10	UKS2-A156-2
32	3	UKS2-A236-4	UKS2-A236-6	UKS2-A236-9	UKS2-A236-7	UKS2-A236-10	UKS2-A236-2
32	4	UKS2-A246-4	UKS2-A246-9	UKS2-A246-6	UKS2-A246-7	UKS2-A246-10	UKS2-A246-2
32	5	UKS2-A256-4	UKS2-A256-9	UKS2-A256-6	UKS2-A256-7	UKS2-A256-10	UKS2-A256-2

▲ IP 67 CEE / IEC 插头，带螺钉接线端子，省时外壳结构

▲ IP 67 CEE / IEC Plug: screwed terminals, enclosure with thread lock and safety slide

Parameter

参数

电流(A) Current (A)	16			32		
极数 Pole (P)	3	4	5	3	4	5
尺寸 Dimension (mm)	a	130.5	135.5	140.5	157.5	167.5
	b	84	89	94	104	114
	d	72.3	78	87	93	100
导线横截面积从最小至最大 Conductor cross section (mm ²) Min.-max.	1.5	1.5	1.5	2.5	2.5	2.5
	-4	-4	-4	-10	-10	-10

Other requirements, please contact us freely 其它电压和频率的产品请来函询问

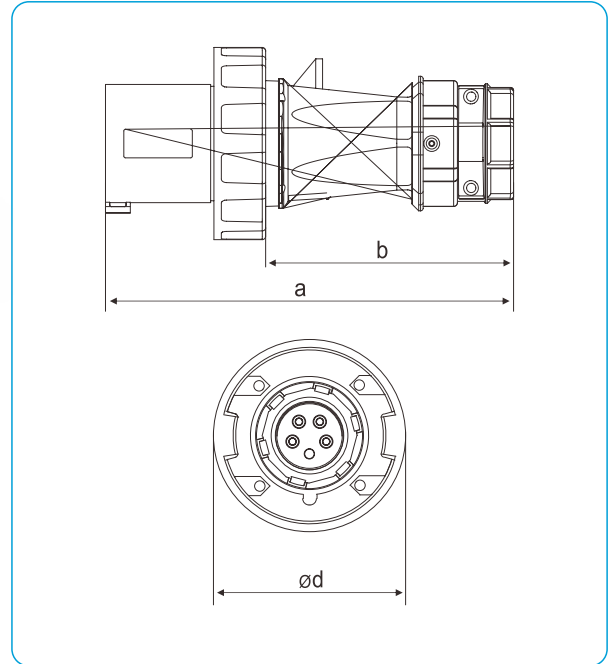
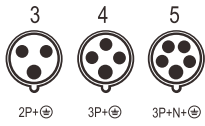
German industrial standard: DIN VDE 0623, European / International standard: EN/IEC 60309-2

www.kripal.com ◆ 符合德国工业标准 DIN VDE 0623, 欧洲/国际标准 EN/IEC 60309-2

KRIPAL

Plug

插头



Description

选型

电流(A) Current(A)	极数 Pole	110 V 50 a. 60 Hz 3P 4P 5P 4h 4h 4h	230 V 50 a. 60 Hz 3P 4P 5P 6h 9h 9h	400 V 50 a. 60 Hz 3P 4P 5P 9h 6h 6h	500 V 50 a. 60 Hz 3P 4P 5P 7h 7h 7h	>50-500V 100-300Hz 3P 4P 5P 10h 10h 10h	>50-500V a.300-500Hz 3P 4P 2h 2h
63	3	UKS-A336-4	UKS-A336-6	UKS-A336-9	UKS-A336-7		
63	4	UKS-A346-4	UKS-A346-9	UKS-A346-6	UKS-A346-7		
63	5	UKS-A356-4	UKS-A356-9	UKS-A356-6	UKS-A356-7		
125	3	UKS-A436-4	UKS-A436-6	UKS-A436-9	UKS-A436-7		
125	4	UKS-A446-4	UKS-A446-9	UKS-A446-6	UKS-A446-7		
125	5	UKS-A456-4	UKS-A456-9	UKS-A456-6	UKS-A456-7		

▲ IP 67 CEE / IEC 插头，带外部电缆紧固装置及耐高温接触载体，插销表面镀镍

▲ IP 67 CEE / IEC Plug: external cable grip, highly heat resistant contact carrier, nickel plated contacts

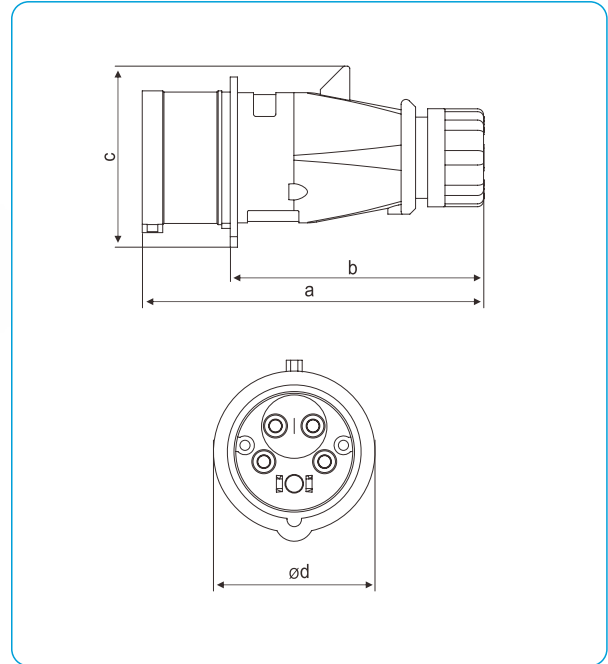
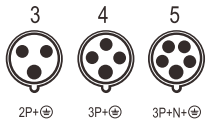
Parameter

参数

电流(A) Current (A)	63			125		
极数 Pole (P)	3	4	5	3	4	5
尺寸 Dimension (mm)	a	238.3	238.3	238.3	291.1	291.1
	b	155.3	155.3	155.3	210	210
	d	112.2	112.2	112.2	131	131
导线横截面积从最小至最大 Conductor cross section (mm ²) Min.-max.	6	6	6	25	25	25
	-25	-25	-25	-70	-70	-70

Plug

插头



Description

选型

电流(A) Current(A)	极数 Pole	110 V 50 a. 60 Hz 3P 4P 5P 4h 4h 4h	230 V 50 a. 60 Hz 3P 4P 5P 6h 3h 9h	400 V 50 a. 60 Hz 3P 4P 5P 9h 6h 6h	500 V 50 a. 60 Hz 3P 4P 5P 7h 7h 7h	>50-500V 100-300Hz 3P 4P 5P 10h 10h 10h	>50-500V a.300-500Hz 3P 4P 2h 2h
16	4		UKS-G144-9	UKS-G144-6			
16	5		UKS-G154-9	UKS-G154-6			
32	4		UKS-G244-9	UKS-G244-6			
32	5		UKS-G254-9	UKS-G254-6			

▲ IP 44 CEE / IEC 相位转换插头，带螺钉接线端子，一体外壳结构

▲ IP 44 CEE / IEC Phase inverter Plug: screwed terminals, shell of integrated structure

Parameter

参数

电流(A) Current (A)		16		32	
极数 Pole (P)		4	5	4	5
尺寸 Dimension (mm)	a	144	147	186	180
	b	110.5	110.5	141	135
	c	69.4	76	81	89.5
	d	59	67	70	77
导线横截面积从最小至最大 Conductor cross section (mm ²) Min.-max.		1.5	1.5	2.5	2.5
		- 4	- 4	- 10	- 10

Other requirements, please contact us freely 其它电压和频率的产品请来函询问

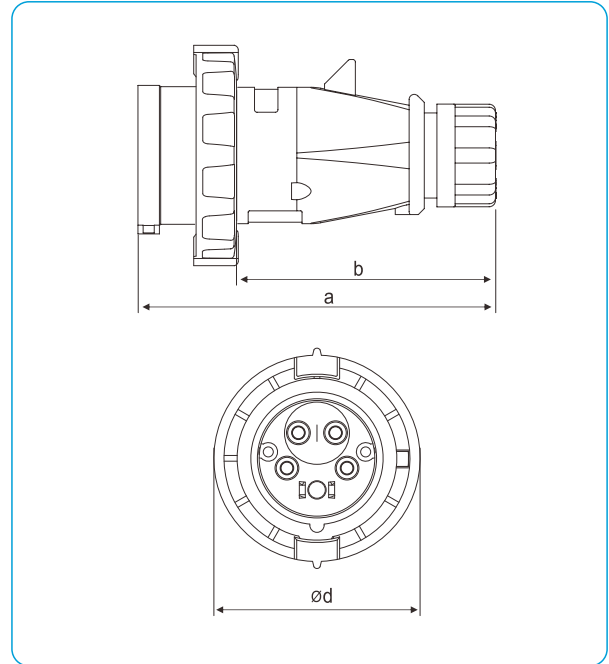
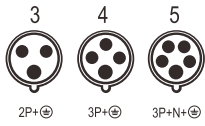
German industrial standard: DIN VDE 0623, European / International standard: EN/IEC 60309-2

www.kripal.com ◆ 符合德国工业标准 DIN VDE 0623, 欧洲国际标准 EN/IEC 60309-2

KRIPAL

Plug

插头



Description

选型

电流(A) Current(A)	极数 Pole	110 V 50 a. 60 Hz 3P 4P 5P 4h 4h 4h	230 V 50 a. 60 Hz 3P 4P 5P 6h 9h 9h	400 V 50 a. 60 Hz 3P 4P 5P 9h 6h 6h	500 V 50 a. 60 Hz 3P 4P 5P 7h 7h 7h	>50-500V 100-300Hz 3P 4P 5P 10h 10h 10h	>50-500V a.300-500Hz 3P 4P 2h 2h
16	4		UKS-G146-9	UKS-G146-6			
16	5		UKS-G156-9	UKS-G156-6			
32	4		UKS-G246-9	UKS-G246-6			
32	5		UKS-G256-9	UKS-G256-6			

▲ IP 67 CEE / IEC 相位转换插头，带螺钉接线端子，一体外壳结构

▲ IP 67 CEE / IEC Phase inverter Plug: screwed terminals, shell of integrated structure

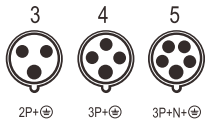
Parameter

参数

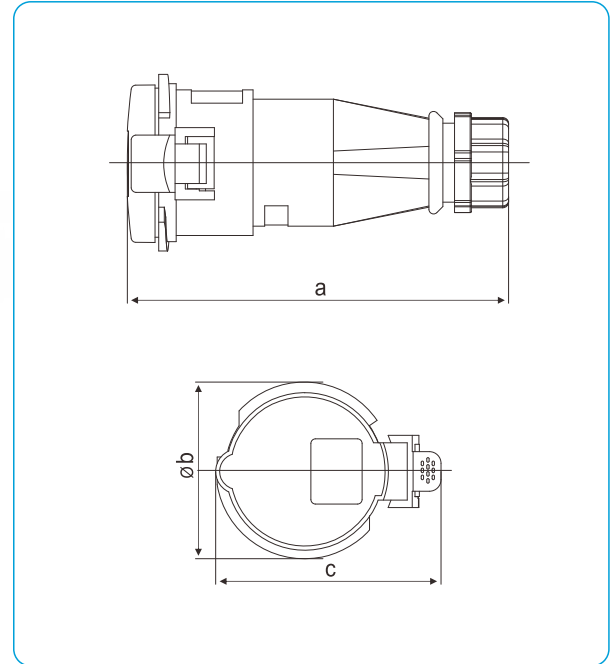
电流(A) Current (A)	16		32		
极数 Pole (P)	4	5	4	5	
尺寸 Dimension (mm)	a	144	147	186	180
	b	102.5	102.5	133	129
	d	78	87	94	101
导线横截面积从最小至最大 Conductor cross section (mm ²) Min.-max.	1.5	1.5	2.5	2.5	
	- 4	- 4	- 10	- 10	

Connector

连接器



2P+⊕ 3P+⊕ 3P+N+⊕



Description

选型

电流(A) Current(A)	极数 Pole	110 V 50 a. 60 Hz 3P 4P 5P 4h 4h 4h	230 V 50 a. 60 Hz 3P 4P 5P 6h 3h 9h	400 V 50 a. 60 Hz 3P 4P 5P 9h 6h 6h	500 V 50 a. 60 Hz 3P 4P 5P 7h 7h 7h	>50-500V 100-300Hz 3P 4P 5P 10h 10h 10h	>50-500V a.300-500Hz 3P 4P 2h 2h
16	3	UKS-C134-4	UKS-C134-6	UKS-C134-9	UKS-C134-7	UKS-C134-10	UKS-C134-2
16	4	UKS-C144-4	UKS-C144-9	UKS-C144-6	UKS-C144-7	UKS-C144-10	UKS-C144-2
16	5	UKS-C154-4	UKS-C154-9	UKS-C154-6	UKS-C154-7	UKS-C154-10	UKS-C154-2
32	3	UKS-C234-4	UKS-C234-6	UKS-C234-9	UKS-C234-7	UKS-C234-10	UKS-C234-2
32	4	UKS-C244-4	UKS-C244-9	UKS-C244-6	UKS-C244-7	UKS-C244-10	UKS-C244-2
32	5	UKS-C254-4	UKS-C254-9	UKS-C254-6	UKS-C254-7	UKS-C254-10	UKS-C254-2

▲ IP 44 CEE / IEC 连接器，带螺钉接线端子，一体外壳结构

▲ IP 44 CEE / IEC Connector: screwed terminals, shell of integrated structure

Parameter

参数

电流(A) Current (A)	16			32		
极数 Pole (P)	3	4	5	3	4	5
尺寸 Dimension (mm)	a	162	165	167	209	209
	b	60	68	76	82	82
	c	83	90	98	100	108
导线横截面积从最小至最大 Conductor cross section (mm ²) Min.-max.	1.5	1.5	1.5	2.5	2.5	2.5
	-4	-4	-4	-10	-10	-10

Other requirements, please contact us freely 其它电压和频率的产品请来函询问

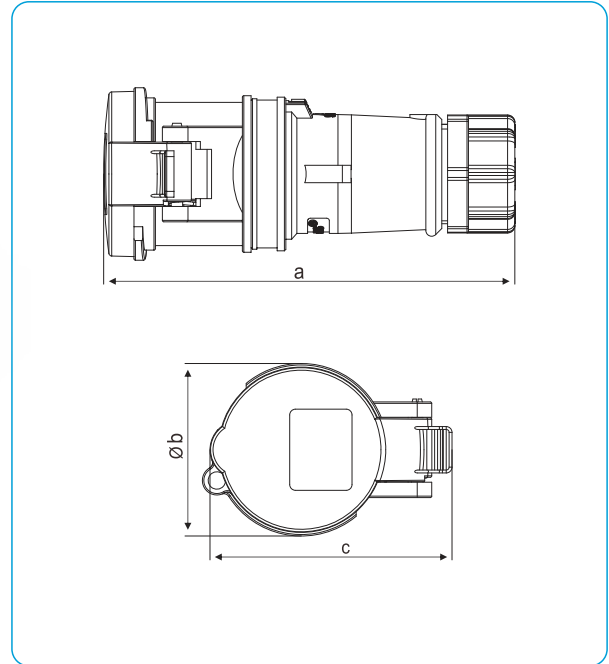
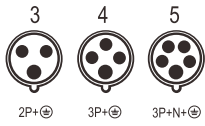
German industrial standard: DIN VDE 0623, European / International standard: EN/IEC 60309-2

www.kripal.com ◆ 符合德国工业标准 DIN VDE 0623, 欧洲/国际标准 EN/IEC 60309-2

KRIPAL

Connector

连接器



Description

选型

电流(A) Current(A)	极数 Pole	110 V 50 a. 60 Hz			230 V 50 a. 60 Hz			400 V 50 a. 60 Hz			500 V 50 a. 60 Hz			>50-500V 100-300Hz			>50-500V a.300-500Hz	
		3P 4h	4P 4h	5P 4h	3P 6h	4P 9h	5P 9h	3P 9h	4P 6h	5P 6h	3P 7h	4P 7h	5P 7h	3P 10h	4P 10h	5P 10h	3P 2h	4P 2h
16	3	UKS2-C134-4			UKS2-C134-6			UKS2-C134-9			UKS2-C134-7			UKS2-C134-10			UKS2-C134-2	
16	4	UKS2-C144-4			UKS2-C144-9			UKS2-C144-6			UKS2-C144-7			UKS2-C144-10			UKS2-C144-2	
16	5	UKS2-C154-4			UKS2-C154-9			UKS2-C154-6			UKS2-C154-7			UKS2-C154-10			UKS2-C154-2	
32	3	UKS2-C234-4			UKS2-C234-6			UKS2-C234-9			UKS2-C234-7			UKS2-C234-10			UKS2-C234-2	
32	4	UKS2-C244-4			UKS2-C244-9			UKS2-C244-6			UKS2-C244-7			UKS2-C244-10			UKS2-C244-2	
32	5	UKS2-C254-4			UKS2-C254-9			UKS2-C254-6			UKS2-C254-7			UKS2-C254-10			UKS2-C254-2	

▲ IP 44 CEE / IEC 连接器，带螺钉接线端子，带锁省时外壳结构

▲ IP 44 CEE / IEC Connector: screwed terminals, enclosure with thread lock and safety slide

Parameter

参数

电流(A) Current (A)	16			32			
极数 Pole (P)	3	4	5	3	4	5	
尺寸 Dimension (mm)	a	141.9	146.9	149.5	170.2	170.2	183.5
	b	59.5	67.5	75.5	81.5	81.5	88.5
	c	83.5	90	96.5	102.5	102.5	109.5
导线横截面积从最小至最大 Conductor cross section (mm ²) Min.-max.	1.5	1.5	1.5	2.5	2.5	2.5	
	-4	-4	-4	-10	-10	-10	

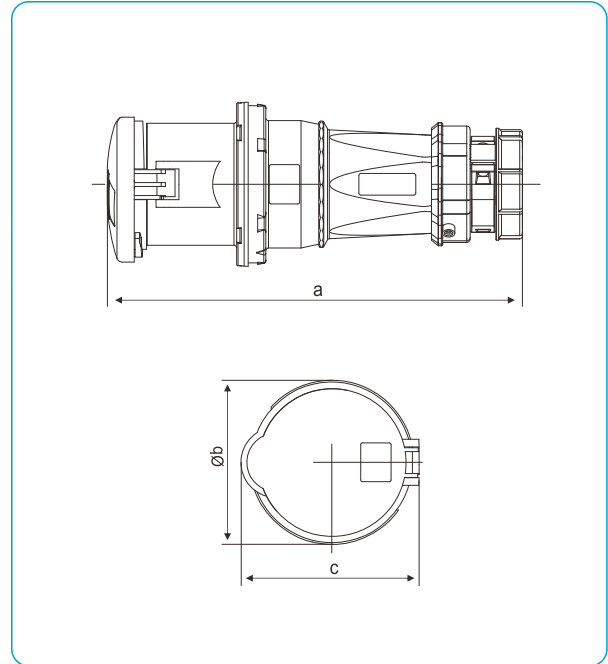
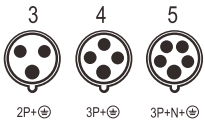
其它电压和频率的产品请来函询问 Other requirements, please contact us freely

German industrial standard: DIN VDE 0623, European / International standard: EN/IEC 60309-2

◆ 符合德国工业标准 DIN VDE 0623, 欧洲/国际标准 EN/IEC 60309-2 www.kripal.com

Connector

连接器



Description

选型

电流(A) Current(A)	极数 Pole	110 V 50 a. 60 Hz 3P 4P 5P 4h 4h 4h	230 V 50 a. 60 Hz 3P 4P 5P 6h 3h 9h	400 V 50 a. 60 Hz 3P 4P 5P 9h 6h 6h	500 V 50 a. 60 Hz 3P 4P 5P 7h 7h 7h	>50-500V 100-300Hz 3P 4P 5P 10h 10h 10h	>50-500V a.300-500Hz 3P 4P 2h 2h
63	3	UKS-C334-4	UKS-C334-6	UKS-C334-9	UKS-C334-7		
63	4	UKS-C344-4	UKS-C344-9	UKS-C344-6	UKS-C344-7		
63	5	UKS-C354-4	UKS-C354-9	UKS-C354-6	UKS-C354-7		

▲ IP 44 CEE / IEC 连接器，软接触工艺，带外部电缆紧固装置及耐高温接触载体

▲ IP 44 CEE / IEC Connector: Soft-touch process, external cable grip, highly heat resistant contact carrier

Parameter

参数

电流(A) Current (A)	63			
极数 Pole (P)	3	4	5	
尺寸 Dimension (mm)	a	268	268	268
	b	95	95	95
	c	109	109	109
导线横截面积从最小至最大 Conductor cross section (mm ²) Min.-max.		6	6	6
		- 25	- 25	- 25

Other requirements, please contact us freely 其它电压和频率的产品请来函询问

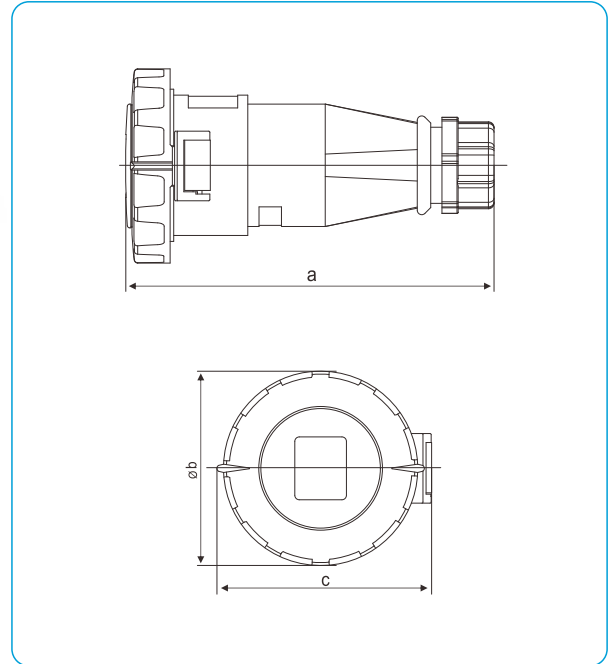
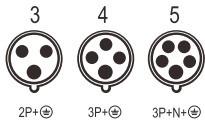
German industrial standard: DIN VDE 0623, European / International standard: EN/IEC 60309-2

www.kripal.com ◆ 符合德国工业标准 DIN VDE 0623, 欧洲/国际标准 EN/IEC 60309-2

KRIPAL

Connector

连接器



Description

选型

电流(A) Current(A)	极数 Pole	110 V 50 a. 60 Hz			230 V 50 a. 60 Hz			400 V 50 a. 60 Hz			500 V 50 a. 60 Hz			>50-500V 100-300Hz			>50-500V a.300-500Hz	
		3P 4h	4P 4h	5P 4h	3P 6h	4P 9h	5P 9h	3P 9h	4P 6h	5P 6h	3P 7h	4P 7h	5P 7h	3P 10h	4P 10h	5P 10h	3P 2h	4P 2h
16	3	UKS-C136-4			UKS-C136-6			UKS-C136-9			UKS-C136-7			UKS-C136-10			UKS-C136-2	
16	4		UKS-C146-4		UKS-C146-6			UKS-C146-9			UKS-C146-7			UKS-C146-10			UKS-C146-2	
16	5			UKS-C156-4	UKS-C156-6			UKS-C156-9			UKS-C156-7			UKS-C156-10			UKS-C156-2	
32	3	UKS-C236-4			UKS-C236-6			UKS-C236-9			UKS-C236-7			UKS-C236-10			UKS-C236-2	
32	4		UKS-C246-4		UKS-C246-6			UKS-C246-9			UKS-C246-7			UKS-C246-10			UKS-C246-2	
32	5			UKS-C256-4	UKS-C256-6			UKS-C256-9			UKS-C256-7			UKS-C256-10			UKS-C256-2	

▲ IP 67 CEE / IEC 连接器，带螺钉接线端子，一体外壳结构

▲ IP 67 CEE / IEC Connector: screwed terminals, shell of integrated structure

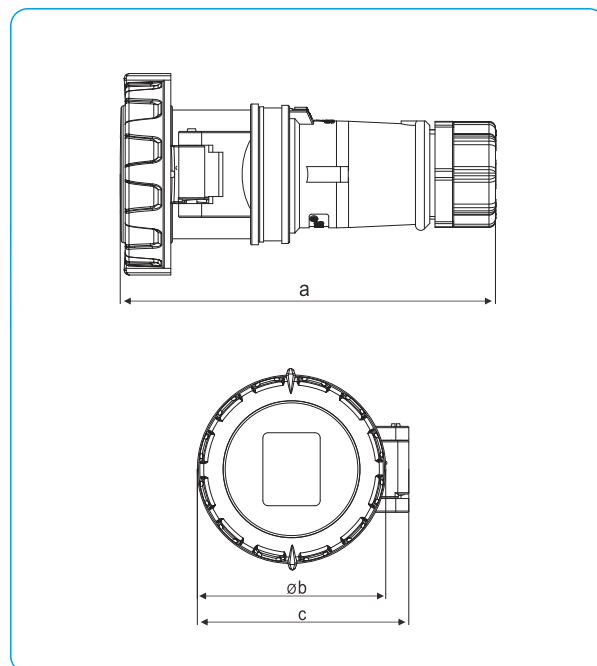
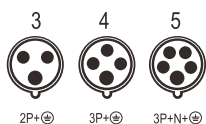
Parameter

参数

电流(A) Current (A)		16			32			
极数 Pole (P)		3	4	5	3	4	5	
尺寸 Dimension (mm)	a	146	166	172	212	212	213	
	b	72	79	89	96	96	102	
	c	80	88	95	98	98	105	
导线横截面积从最小至最大 Conductor cross section (mm ²) Min.-max.		1.5	1.5	1.5	2.5	2.5	2.5	
		- 4	- 4	- 4	- 10	- 10	- 10	

Connector

连接器



Description

选型

电流(A) Current(A)	极数 Pole	110 V 50 a. 60 Hz			230 V 50 a. 60 Hz			400 V 50 a. 60 Hz			500 V 50 a. 60 Hz			>50-500V 100-300Hz			>50-500V a.300-500Hz		
		3P 4h	4P 4h	5P 4h	3P 6h	4P 3h	5P 9h	3P 9h	4P 6h	5P 6h	3P 7h	4P 7h	5P 7h	3P 10h	4P 10h	5P 10h	3P 2h	4P 2h	5P 2h
16	3	UKS2-C136-4	UKS2-C136-4	UKS2-C136-4	UKS2-C136-6	UKS2-C136-6	UKS2-C136-6	UKS2-C136-9	UKS2-C136-9	UKS2-C136-9	UKS2-C136-7	UKS2-C136-7	UKS2-C136-7	UKS2-C136-10	UKS2-C136-10	UKS2-C136-10	UKS2-C136-2	UKS2-C136-2	UKS2-C136-2
16	4	UKS2-C146-4	UKS2-C146-4	UKS2-C146-4	UKS2-C146-6	UKS2-C146-6	UKS2-C146-6	UKS2-C146-9	UKS2-C146-9	UKS2-C146-9	UKS2-C146-7	UKS2-C146-7	UKS2-C146-7	UKS2-C146-10	UKS2-C146-10	UKS2-C146-10	UKS2-C146-2	UKS2-C146-2	UKS2-C146-2
16	5	UKS2-C156-4	UKS2-C156-4	UKS2-C156-4	UKS2-C156-6	UKS2-C156-6	UKS2-C156-6	UKS2-C156-9	UKS2-C156-9	UKS2-C156-9	UKS2-C156-7	UKS2-C156-7	UKS2-C156-7	UKS2-C156-10	UKS2-C156-10	UKS2-C156-10	UKS2-C156-2	UKS2-C156-2	UKS2-C156-2
32	3	UKS2-C236-4	UKS2-C236-4	UKS2-C236-4	UKS2-C236-6	UKS2-C236-6	UKS2-C236-6	UKS2-C236-9	UKS2-C236-9	UKS2-C236-9	UKS2-C236-7	UKS2-C236-7	UKS2-C236-7	UKS2-C236-10	UKS2-C236-10	UKS2-C236-10	UKS2-C236-2	UKS2-C236-2	UKS2-C236-2
32	4	UKS2-C246-4	UKS2-C246-4	UKS2-C246-4	UKS2-C246-6	UKS2-C246-6	UKS2-C246-6	UKS2-C246-9	UKS2-C246-9	UKS2-C246-9	UKS2-C246-7	UKS2-C246-7	UKS2-C246-7	UKS2-C246-10	UKS2-C246-10	UKS2-C246-10	UKS2-C246-2	UKS2-C246-2	UKS2-C246-2
32	5	UKS2-C256-4	UKS2-C256-4	UKS2-C256-4	UKS2-C256-6	UKS2-C256-6	UKS2-C256-6	UKS2-C256-9	UKS2-C256-9	UKS2-C256-9	UKS2-C256-7	UKS2-C256-7	UKS2-C256-7	UKS2-C256-10	UKS2-C256-10	UKS2-C256-10	UKS2-C256-2	UKS2-C256-2	UKS2-C256-2

▲ IP 67 CEE / IEC 连接器，带螺钉接线端子，带锁省时外壳结构

▲ IP 67 CEE / IEC Connector: screwed terminals, enclosure with thread lock and safety slide

Parameter

参数

电流(A) Current (A)		16			32			
极数 Pole (P)		3	4	5	3	4	5	
尺寸 Dimension (mm)	a	144	149	154	170.4	170.4	183.6	
	b	72.3	78	87	93	93	100	
	c	81.2	87	94.5	100.5	100.5	107	
导线横截面积从最小至最大 Conductor cross section (mm ²) Min.-max.		1.5	1.5	1.5	2.5	2.5	2.5	
		-4	-4	-4	-10	-10	-10	

Other requirements, please contact us freely 其它电压和频率的产品请来函询问

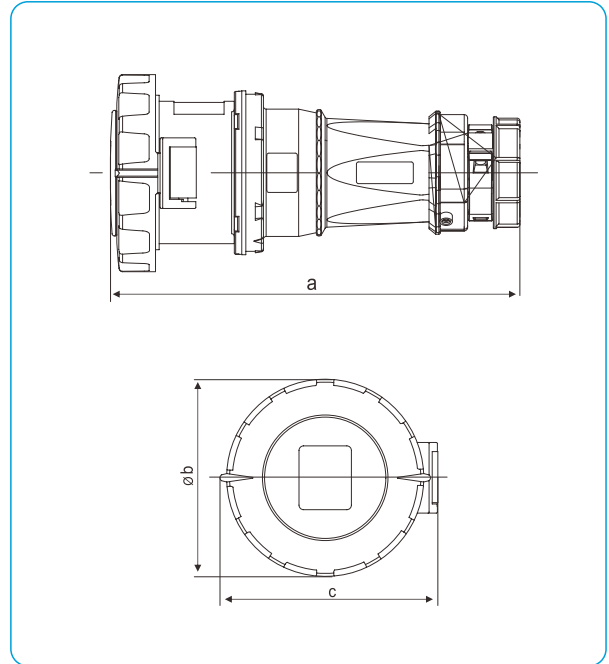
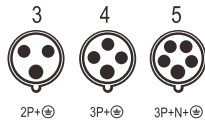
German industrial standard: DIN VDE 0623, European / International standard: EN/IEC 60309-2

www.kripal.com ◆ 符合德国工业标准 DIN VDE 0623, 欧洲/国际标准 EN/IEC 60309-2

KRIPAL

Connector

连接器



Description

选型

电流(A) Current(A)	极数 Pole	110 V	230 V	400 V	500 V	>50-500V	>50-500V
		50 a. 60 Hz	50 a. 60 Hz	50 a. 60 Hz	50 a. 60 Hz	100-300Hz	a.300-500Hz
63	3	3P 4h	3P 6h	3P 9h	3P 7h	3P 10h	3P 2h
63	4	4P 4h	4P 9h	4P 6h	4P 7h	4P 10h	4P 2h
63	5	5P 4h	5P 9h	5P 6h	5P 7h	5P 10h	4P 2h
		UKS-C336-4	UKS-C336-6	UKS-C336-9	UKS-C336-7		
		UKS-C346-4	UKS-C346-9	UKS-C346-6	UKS-C346-7		
		UKS-C356-4	UKS-C356-9	UKS-C356-6	UKS-C356-7		

▲ IP 67 CEE / IEC 连接器，软接触工艺，带外部电缆紧固装置及耐高温接触载体

▲ IP 67 CEE / IEC Connector: soft-touch process, external cable grip, highly heat resistant contact carrier

Parameter

参数

电流(A) Current (A)	63			
极数 Pole (P)	3	4	5	
尺寸 Dimension (mm)	a	270	270	270
	b	113	113	113
	c	123	123	123
导线横截面积从最小至最大 Conductor cross section (mm ²) Min.-max.	6	6	6	
	- 25	- 25	- 25	

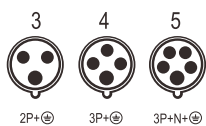
其它电压和频率的产品请来函询问 Other requirements, please contact us freely

German industrial standard: DIN VDE 0623, European / International standard: EN/IEC 60309-2

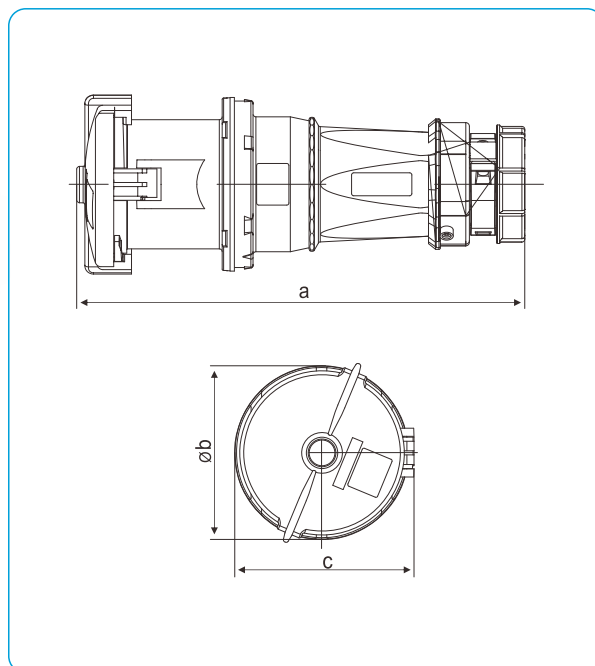
◆ 符合德国工业标准 DIN VDE 0623, 欧洲/国际标准 EN/IEC 60309-2 www.kripal.com

Connector

连接器



2P+⊕ 3P+⊕ 3P+N+⊕



Description

选型

电流(A) Current(A)	极数 Pole	110 V 50 a. 60 Hz 3P 4P 5P 4h 4h 4h	230 V 50 a. 60 Hz 3P 4P 5P 6h 3h 9h	400 V 50 a. 60 Hz 3P 4P 5P 9h 6h 6h	500 V 50 a. 60 Hz 3P 4P 5P 7h 7h 7h	>50-500V 100-300Hz 3P 4P 5P 10h 10h 10h	>50-500V a.300-500Hz 3P 4P 2h 2h
125	3	UKS-C436-4	UKS-C436-6	UKS-C436-9	UKS-C436-7		
125	4	UKS-C446-4	UKS-C446-9	UKS-C446-6	UKS-C446-7		
125	5	UKS-C456-4	UKS-C456-9	UKS-C456-6	UKS-C456-7		

▲ IP 67 CEE / IEC 连接器，软接触工艺，带外部电缆紧固装置及耐高温接触载体

▲ IP 67 CEE / IEC Connector: soft-touch process, external cable grip, highly heat resistant contact carrier

Parameter

参数

电流(A) Current (A)	125			
极数 Pole (P)	3	4	5	
尺寸 Dimension (mm)	a	310	310	310
	b	125	125	125
	c	135	135	135
导线横截面积从最小至最大 Conductor cross section (mm ²) Min.-max.		25	25	25
		- 70	- 70	- 70

Other requirements, please contact us freely 其它电压和频率的产品请来函询问

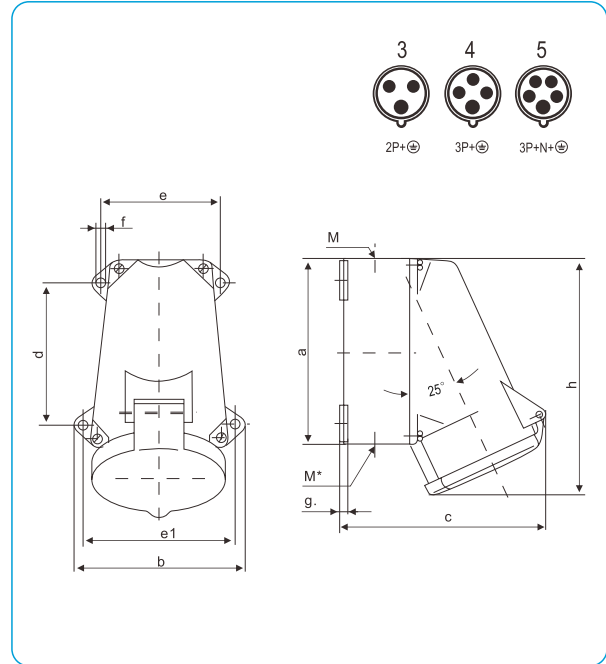
German industrial standard: DIN VDE 0623, European / Internationa standard: EN/IEC 60309-2

www.kripal.com ◆ 符合德国工业标准 DIN VDE 0623, 欧洲/国际标准EN/IEC 60309-2

KRIPAL

Wall Mounted Socket

插座



Description

选型

电流(A) Current(A)	极数 Pole	110 V 50 a. 60 Hz 3P 4P 5P 4h 4h 4h	230 V 50 a. 60 Hz 3P 4P 5P 6h 9h 9h	400 V 50 a. 60 Hz 3P 4P 5P 9h 6h 6h	500 V 50 a. 60 Hz 3P 4P 5P 7h 7h 7h	>50-500V 100-300Hz 3P 4P 5P 10h 10h 10h	>50-500V a.300-500Hz 3P 4P 2h 2h
16	3	UKS-F134-4	UKS-F134-6	UKS-F134-9	UKS-F134-7	UKS-F134-10	UKS-F134-2
16	4	UKS-F144-4	UKS-F144-9	UKS-F144-6	UKS-F144-7	UKS-F144-10	UKS-F144-2
16	5	UKS-F154-4	UKS-F154-9	UKS-F154-6	UKS-F154-7	UKS-F154-10	UKS-F154-2
32	3	UKS-F234-4	UKS-F234-6	UKS-F234-9	UKS-F234-7	UKS-F234-10	UKS-F234-2
32	4	UKS-F244-4	UKS-F244-9	UKS-F244-6	UKS-F244-7	UKS-F244-10	UKS-F244-2
32	5	UKS-F254-4	UKS-F254-9	UKS-F254-6	UKS-F254-7	UKS-F254-10	UKS-F254-2

▲ IP 44 CEE / IEC 插座，从顶部和底部穿入电缆线

▲ IP 44 CEE / IEC Wall mounted socket: cable entry at the top and the bottom

Parameter

参数

电流(A) Current (A)		16			32			
极数 Pole (P)		3	4	5/7	3	4	5/7	
尺寸 Dimension (mm)	a	95	95	95	225	225	225	
	b	102	102	102	112	112	112	
	c	115	124	129	143	143	150	
	d	64.2	64.2	64.2	90.2	90.2	90.2	
	e	77.5	77.5	77.5	79	79	79	
	e1	88	88	88	98.5	98.5	98.5	
	f	5.5	5.5	5.5	5.5	5.5	5.5	
	g	5	5	5	5	5	5	
	h	128	128	132	160	160	160	
	M	25	25	25	32	32	32	
	M*		1个M25(堵头)可剪断 1XM25(removable)			1个M32(堵头)可剪断 1XM32(removable)		
	最大电缆直径 Max cable diameter (mm)		18	18	18	25	25	25
导线横截面积从最小至最大 Conductor cross section (mm ²) Min.-max.		1.5	1.5	1.5	2.5	2.5	2.5	
		-4	-4	-4	-10	-10	-10	

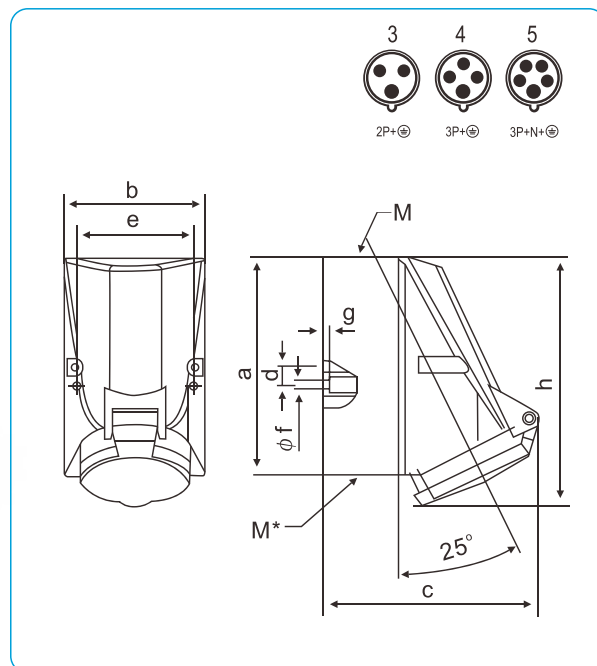
其它电压和频率的产品请来函询问 Other requirements, please contact us freely

German industrial standard: DIN VDE 0623, European / International standard: EN/IEC 60309-2

◆ 符合德国工业标准 DIN VDE 0623, 欧洲/国际标准 EN/IEC 60309-2 www.kripal.com

Wall Mounted Socket

插座



Description

选型

电流(A) Current(A)	极数 Pole	110 V 50 a. 60 Hz 3P 4P 5P 4h 4h 4h	230 V 50 a. 60 Hz 3P 4P 5P 6h 3h 9h	400 V 50 a. 60 Hz 3P 4P 5P 9h 6h 6h	500 V 50 a. 60 Hz 3P 4P 5P 7h 7h 7h	>50-500V 100-300Hz 3P 4P 5P 10h 10h 10h	>50-500V a.300-500Hz 3P 4P 2h 2h
16	3	UKS-F1345-4	UKS-F1345-6	UKS-F1345-9	UKS-F1345-7	UKS-F1345-10	UKS-F1345-2
16	4	UKS-F1445-4	UKS-F1445-9	UKS-F1445-6	UKS-F1445-7	UKS-F1445-10	UKS-F1445-2
16	5	UKS-F1545-4	UKS-F1545-9	UKS-F1545-6	UKS-F1545-7	UKS-F1545-10	UKS-F1545-2
32	3	UKS-F2345-4	UKS-F2345-6	UKS-F2345-9	UKS-F2345-7	UKS-F2345-10	UKS-F2345-2
32	4	UKS-F2445-4	UKS-F2445-9	UKS-F2445-6	UKS-F2445-7	UKS-F2445-10	UKS-F2445-2
32	5	UKS-F2545-4	UKS-F2545-9	UKS-F2545-6	UKS-F2545-7	UKS-F2545-10	UKS-F2545-2

▲ IP 44 CEE / IEC 插座，从顶部和底部穿入电缆线

▲ IP 44 CEE / IEC Wall mounted socket: cable entry at the top and the bottom

Parameter

参数

电流(A) Current (A)	16			32			
极数 Pole (P)	3	4	5	3	4	5	
尺寸 Dimension (mm)	a	128	128	128	128	128	128
	b	84	84	84	84	84	84
	c	122	122	124	136	136	136
	d	11	11	11	11	11	11
	e	68	68	68	68	68	68
	f	5.3	5.3	5.3	5.3	5.3	5.3
	g	4	4	4	4	4	4
	h	144	144	144	158	158	160
	M	25	25	25	32	32	32
	M*	2个M25(堵头)可剪断 2XM25(removable)			2个M32(堵头)可剪断 2XM32(removable)		
最大电缆直径 Max cable diameter (mm)		18	18	18	18/25	18/25	18/25
导线横截面积从最小至最大 Conductor cross section (mm ²) Min.-max.		1.5	1.5	1.5	2.5	2.5	2.5
		- 4	- 4	- 4	- 10	- 10	- 10

Other requirements, please contact us freely 其它电压和频率的产品请来函询问

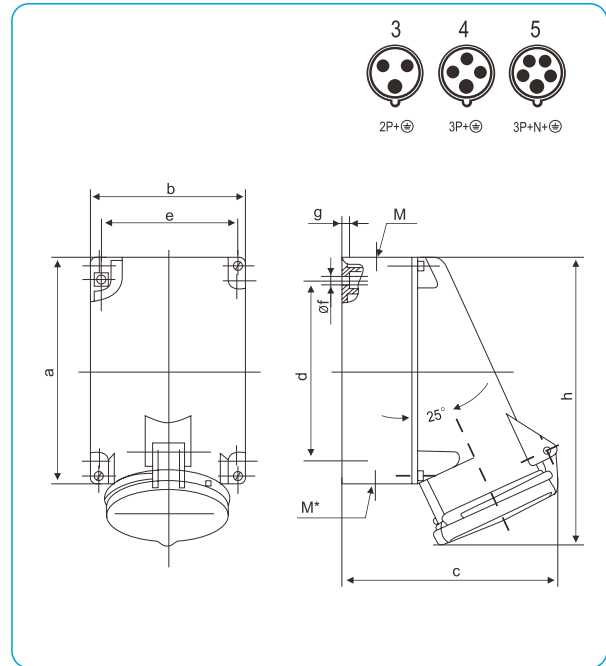
German industrial standard: DIN VDE 0623, European / Internationa standard: EN/IEC 60309-2

www.kripal.com ◆ 符合德国工业标准 DIN VDE 0623, 欧洲/国际标准EN/IEC 60309-2

KRIPAL

Wall Mounted Socket

插座



Description

选型

电流(A) Current(A)	极数 Pole	110 V 50 a. 60 Hz 3P 4P 5P 4h 4h 4h	230 V 50 a. 60 Hz 3P 4P 5P 6h 9h 9h	400 V 50 a. 60 Hz 3P 4P 5P 9h 6h 6h	500 V 50 a. 60 Hz 3P 4P 5P 7h 7h 7h	>50-500V 100-300Hz 3P 4P 5P 10h 10h 10h	>50-500V a.300-500Hz 3P 4P 2h 2h
63	3	UKS-F334-4	UKS-F334-6	UKS-F334-9	UKS-F334-7		
63	4	UKS-F344-4	UKS-F344-9	UKS-F344-6	UKS-F344-7		
63	5	UKS-F354-4	UKS-F354-9	UKS-F354-6	UKS-F354-7		

▲ IP 44 CEE / IEC 插座，软接触工艺，从顶部和底部穿入电缆线

▲ IP 44 CEE / IEC Wall mounted socket: soft-touch process, cable entry at the top and the bottom

Parameter

参数

电流(A) Current (A)	63			
极数 Pole (P)	3	4	5	
尺寸 Dimension (mm)	a	170	170	170
	b	118	118	118
	c	171	171	171
	d	134.5	134.5	134.5
	e	103	103	103
	f	6.1	6.1	6.1
	g	6	6	6
	h	216	216	216
	M	40	40	40
	M*	2个M40(堵头)可剪断 2XM40(removable)		
最大电缆直径 Max cable diameter (mm)	32	32	32	
导线横截面积从最小至最大 Conductor cross section (mm ²) Min.-max.	6	6	6	
	- 25	- 25	- 25	

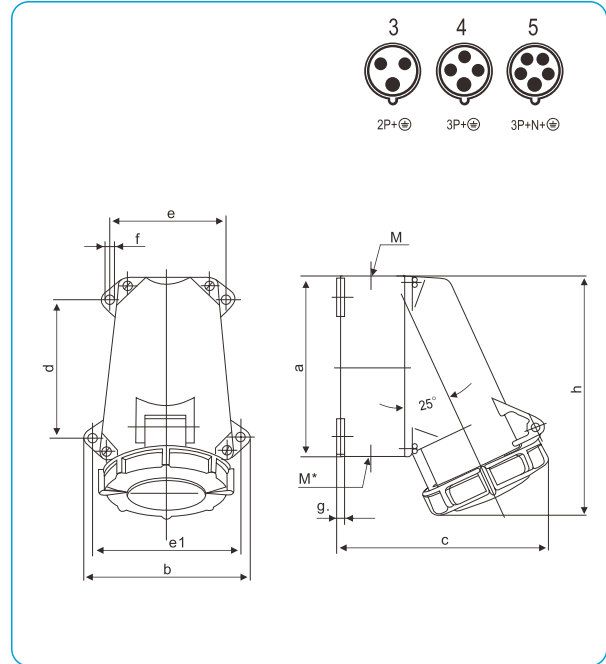
其它电压和频率的产品请来函询问 Other requirements, please contact us freely

German industrial standard: DIN VDE 0623, European / International standard: EN/IEC 60309-2

◆ 符合德国工业标准 DIN VDE 0623, 欧洲/国际标准 EN/IEC 60309-2 www.kripal.com

Wall Mounted Socket

插座



Description

选型

电流(A) Current(A)	极数 Pole	110 V 50 a. 60 Hz 3P 4P 5P 4h 4h 4h	230 V 50 a. 60 Hz 3P 4P 5P 6h 3h 9h	400 V 50 a. 60 Hz 3P 4P 5P 9h 6h 6h	500 V 50 a. 60 Hz 3P 4P 5P 7h 7h 7h	>50-500V 100-300Hz 3P 4P 5P 10h 10h 10h	>50-500V a.300-500Hz 3P 4P 2h 2h
16	3	UKS-F136-4	UKS-F136-6	UKS-F136-9	UKS-F136-7	UKS-F136-10	UKS-F136-2
16	4	UKS-F146-4	UKS-F146-9	UKS-F146-6	UKS-F146-7	UKS-F146-10	UKS-F146-2
16	5	UKS-F156-4	UKS-F156-9	UKS-F156-6	UKS-F156-7	UKS-F156-10	UKS-F156-2
32	3	UKS-F236-4	UKS-F236-6	UKS-F236-9	UKS-F236-7	UKS-F236-10	UKS-F236-2
32	4	UKS-F246-4	UKS-F246-9	UKS-F246-6	UKS-F246-7	UKS-F246-10	UKS-F246-2
32	5	UKS-F256-4	UKS-F256-9	UKS-F256-6	UKS-F256-7	UKS-F256-10	UKS-F256-2

▲ IP 67 CEE / IEC 插座，从顶部和底部穿入电缆线

▲ IP 67 CEE / IEC Wall mounted socket: cable entry at the top and the bottom

Parameter

参数

电流(A) Current (A)	16			32		
极数 Pole (P)	3	4	5/7	3	4	5/7
尺寸 Dimension (mm)	a	95	95	95	120	120
	b	102	102	102	112	112
	c	115	124	129	143	143
	d	64.2	64.2	64.2	90.2	90.2
	e	77.5	77.5	77.5	79	79
	e1	88	88	88	98.5	98.5
	f	5.5	5.5	5.5	5.5	5.5
	g	5	5	5	5	5
	h	128	128	132	160	160
	M	25	25	25	32	32
	M*	2个M40(堵头)可剪断 2XM40(removable)			2个M40(堵头)可剪断 2XM40(removable)	
最大电缆直径 Max cable diameter (mm)	18	18	18	25	25	
导线横截面积从最小至最大 Conductor cross section (mm ²) Min.-max.	1.5	1.5	1.5	2.5	2.5	
	- 4	- 4	- 4	- 10	- 10	

Other requirements, please contact us freely 其它电压和频率的产品请来函询问

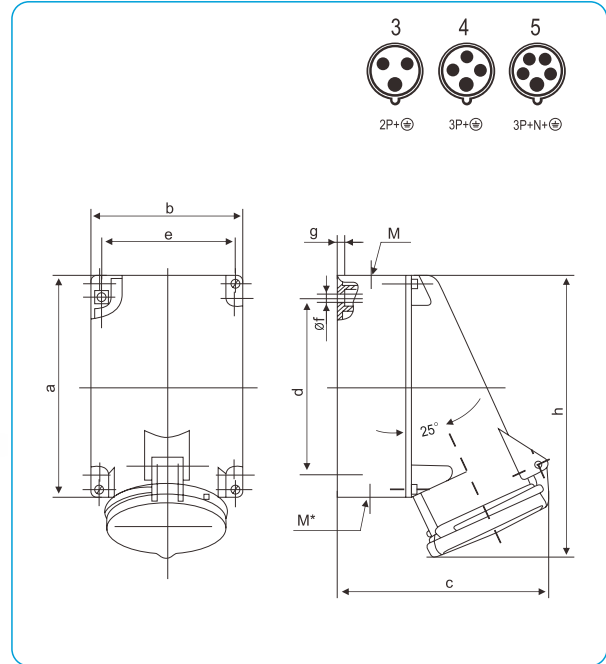
German industrial standard: DIN VDE 0623, European / Internationa standard: EN/IEC 60309-2

www.kripal.com ◆ 符合德国工业标准 DIN VDE 0623, 欧洲/国际标准EN/IEC 60309-2

KRIPAL

Wall Mounted Socket

插座



Description

选型

电流(A) Current(A)	极数 Pole	110 V 50 a. 60 Hz 3P 4P 5P 4h 4h 4h	230 V 50 a. 60 Hz 3P 4P 5P 6h 9h 9h	400 V 50 a. 60 Hz 3P 4P 5P 9h 6h 6h	500 V 50 a. 60 Hz 3P 4P 5P 7h 7h 7h	>50-500V 100-300Hz 3P 4P 5P 10h 10h 10h	>50-500V a.300-500Hz 3P 4P 2h 2h
63	3	UKS-F336-4	UKS-F336-6	UKS-F336-9	UKS-F336-7		
63	4	UKS-F346-4	UKS-F346-9	UKS-F346-6	UKS-F346-7		
63	5	UKS-F356-4	UKS-F356-9	UKS-F356-6	UKS-F356-7		

▲ IP 67 CEE / IEC 插座，软接触工艺，从顶部和底部穿入电缆线

▲ IP 67 CEE / IEC Wall mounted socket: soft-touch process, cable entry at the top and the bottom

Parameter

参数

电流(A) Current (A)	63			
极数 Pole (P)	3	4	5	
尺寸 Dimension (mm)	a	170	170	170
	b	118	118	118
	c	171	171	171
	d	134.5	134.5	134.5
	e	103	103	103
	f	6.1	6.1	6.1
	g	6	6	6
	h	216	216	216
	M	40	40	40
	M*	2个M40(堵头)可剪断 2XM40(removable)		
最大电缆直径 Max cable diameter (mm)	32	32	32	
导线横截面积从最小至最大 Conductor cross section (mm ²) Min.-max.	6	6	6	
	- 25	- 25	- 25	

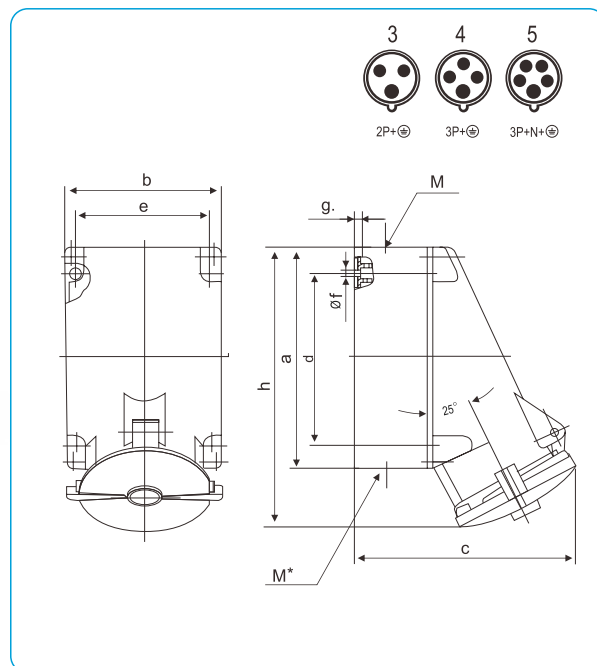
其它电压和频率的产品请来函询问 Other requirements, please contact us freely

German industrial standard: DIN VDE 0623, European / International standard: EN/IEC 60309-2

◆ 符合德国工业标准 DIN VDE 0623, 欧洲/国际标准 EN/IEC 60309-2 www.kripal.com

Wall Mounted Socket

插座



Description

选型

电流(A) Current(A)	极数 Pole	110 V 50 a. 60 Hz 3P 4P 5P 4h 4h 4h	230 V 50 a. 60 Hz 3P 4P 5P 6h 3h 9h	400 V 50 a. 60 Hz 3P 4P 5P 9h 6h 6h	500 V 50 a. 60 Hz 3P 4P 5P 7h 7h 7h	>50-500V 100-300Hz 3P 4P 5P 10h 10h 10h	>50-500V a.300-500Hz 3P 4P 2h 2h
125	3	UKS-F436-4	UKS-F436-6	UKS-F436-9	UKS-F436-7		
125	4	UKS-F446-4	UKS-F446-9	UKS-F446-6	UKS-F446-7		
125	5	UKS-F456-4	UKS-F456-9	UKS-F456-6	UKS-F456-7		

▲ IP 67 CEE / IEC 插座，软接触工艺，从顶部和底部穿入电缆线

▲ IP 67 CEE / IEC Wall mounted socket: soft-touch process, cable entry at the top and the bottom

Parameter

参数

电流(A) Current (A)	125		
极数 Pole (P)	4	5	
尺寸 Dimension (mm)	a	264	264
	b	163	163
	c	203	203
	d	240	240
	e	140	140
	f	8.1	8.1
	g	8	8
	h	313	313
	M	50	50
	M*	50	50
最大电缆直径 Max cable diameter (mm)	38	38	
导线横截面积从最小至最大 Conductor cross section (mm ²) Min.-max.	25	25	
	- 35	- 35	

Other requirements, please contact us freely 其它电压和频率的产品请来函询问

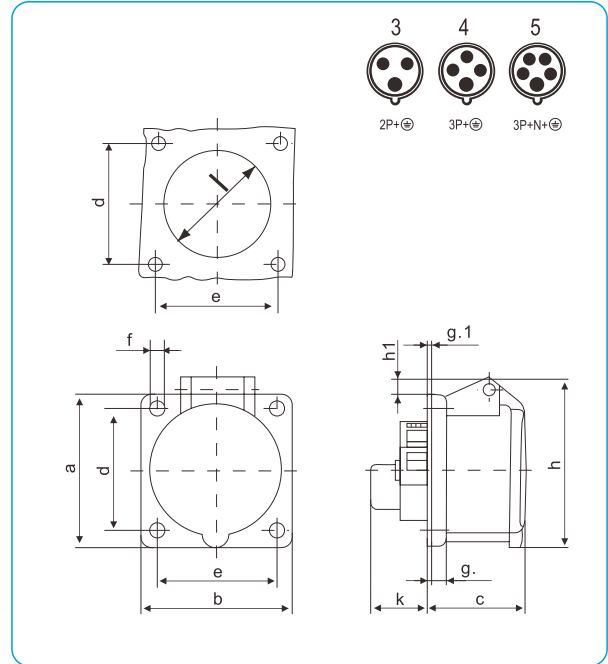
German industrial standard: DIN VDE 0623, European / International standard: EN/IEC 60309-2

www.kripal.com ◆ 符合德国工业标准 DIN VDE 0623, 欧洲/国际标准 EN/IEC 60309-2

KRIPAL

Panel Mounted Socket

附加插座



Description

选型

电流(A) Current(A)	极数 Pole	110 V	230 V	400 V	500 V	>50-500V	>50-500V
		50 a. 60 Hz	50 a. 60 Hz	50 a. 60 Hz	50 a. 60 Hz	100-300Hz	a.300-500Hz
		3P 4h	3P 4P 5P 6h 9h 9h	3P 4P 5P 9h 6h 6h	3P 4P 5P 7h 7h 7h	3P 4P 5P 10h 10h 10h	3P 4P 2h 2h
16	3	UKS-B134-4	UKS-B134-6	UKS-B134-9	UKS-B134-7	UKS-B134-10	UKS-B134-2
16	4	UKS-B144-4	UKS-B144-9	UKS-B144-6	UKS-B144-7	UKS-B144-10	UKS-B144-2
16	5	UKS-B154-4	UKS-B154-9	UKS-B154-6	UKS-B154-7	UKS-B154-10	UKS-B154-2
32	3	UKS-B234-4	UKS-B234-6	UKS-B234-9	UKS-B234-7	UKS-B234-10	UKS-B234-2
32	4	UKS-B244-4	UKS-B244-9	UKS-B244-6	UKS-B244-7	UKS-B244-10	UKS-B244-2
32	5	UKS-B254-4	UKS-B254-9	UKS-B254-6	UKS-B254-7	UKS-B254-10	UKS-B254-2

▲ IP 44 法兰尺寸 75X75mm (16A)、85X75mm (32A)，直插式，附加插座

▲ IP 44 Panel mounted socket: size of flange 75X75mm(16A), 85X75mm(32A), straight

16	3	UKS-B1345-4	UKS-B1345-6	UKS-B1345-9			
16	4	UKS-B1445-4	UKS-B1445-9	UKS-B1445-6			

▲ IP 44 法兰尺寸 65X65mm (16A)、安装尺寸52X52mm (一体式)

▲ IP 44 Panel mounted socket: size of flange 65X65mm(16A), installation size 52X52mm(one-piece body)

Parameter

参数

电流(A) Current (A)	16			32			16			
	3	4	5	3	4	5	3	4		
极数 Pole (P)	3	4	5	3	4	5				
尺寸 Dimension (mm)	a	75	75	75	85	85	85	一体式 One-piece body	65	65
	b	75	75	75	75	75	75		65	65
	c	54	54	54	64	64	64		60	58.9
	d	60	60	60	60	60	60		52	52
	e	60	60	60	60	60	60		52	52
	f	5.5	5.5	5.5	5.5	5.5	5.5		5.5	5.5
	g	8	8	8	8	8	8		9	9
	g.1	2	2	2	2	2	2		2	2
	h	68	77	85	89	89	95		86	91.5
	h1	1	5	9	12	12	12		7.5	10.5
	k	28	28	28	32	32	32		21.2	22.1
l	50	54	57	62	62	62		50	54	
导线横截面积从最小至最大 Conductor cross section (mm ²) Min.-max.	1.5	1.5	1.5	2.5	2.5	2.5		1.5	1.5	
	-4	-4	-4	-10	-10	-10		-4	-4	

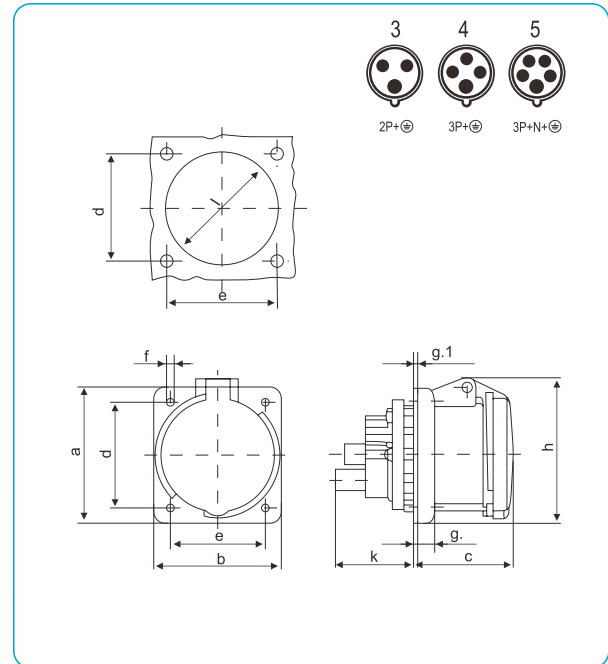
其它电压和频率的产品请来函询问 Other requirements, please contact us freely

German industrial standard: DIN VDE 0623, European / International standard: EN/IEC 60309-2

◆ 符合德国工业标准 DIN VDE 0623, 欧洲/国际标准 EN/IEC 60309-2 www.kripal.com

Panel Mounted Socket

附加插座



Description

选型

电流(A) Current(A)	极数 Pole	110 V 50 a. 60 Hz 3P 4P 5P 4h 4h 4h	230 V 50 a. 60 Hz 3P 4P 5P 6h 3h 9h	400 V 50 a. 60 Hz 3P 4P 5P 9h 6h 6h	500 V 50 a. 60 Hz 3P 4P 5P 7h 7h 7h	>50-500V 100-300Hz 3P 4P 5P 10h 10h 10h	>50-500V a.300-500Hz 3P 4P 2h 2h
63	3	UKS-B334-4	UKS-B334-6	UKS-B334-9	UKS-B334-7		
63	4	UKS-B344-4	UKS-B344-9	UKS-B344-6	UKS-B344-7		
63	5	UKS-B354-4	UKS-B354-9	UKS-B354-6	UKS-B354-7		

▲ IP 44 软接触工艺，法兰尺寸107X100mm，直插式，附加插座

▲ IP 44 Panel mounted socket: soft-touch process, size of flange 107x100mm, straight

Parameter

参数

电流(A) Current (A)	63		
极数 Pole (P)	3	4	5
尺寸 Dimension (mm)			
a	107	107	107
b	100	100	100
c	80	80	80
d	85	85	85
e	77	77	77
f	6.5	6.5	6.5
g	12	12	12
g.1	2	2	2
h	113	113	113
k	55	55	55
l	94	94	94
导线横截面积从最小至最大 Conductor cross section (mm ²) Min.-max.	6 -25	6 -25	6 -25

Other requirements, please contact us freely 其它电压和频率的产品请来函询问

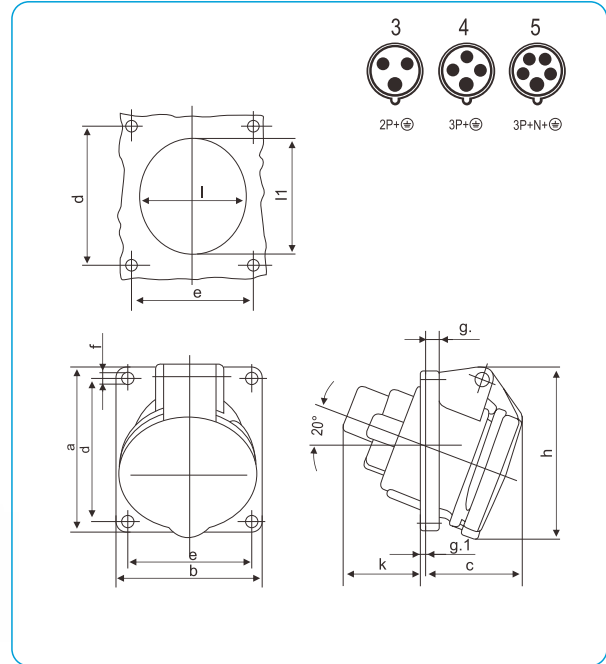
German industrial standard: DIN VDE 0623, European / International standard: EN/IEC 60309-2

www.kripal.com ◆ 符合德国工业标准 DIN VDE 0623, 欧洲/国际标准 EN/IEC 60309-2

KRIPAL

Panel Mounted Socket

附加插座



Description

选型

电流(A) Current(A)	极数 Pole	110 V 50 a. 60 Hz 3P 4P 5P 4h 4h 4h	230 V 50 a. 60 Hz 3P 4P 5P 6h 9h 9h	400 V 50 a. 60 Hz 3P 4P 5P 9h 6h 6h	500 V 50 a. 60 Hz 3P 4P 5P 7h 7h 7h	>50-500V 100-300Hz 3P 4P 5P 10h 10h 10h	>50-500V a.300-500Hz 3P 4P 2h 2h
16	3	UKS-B1341-4	UKS-B1341-6	UKS-B1341-9	UKS-B1341-7	UKS-B1341-10	UKS-B1341-2
16	4	UKS-B1441-4	UKS-B1441-9	UKS-B1441-6	UKS-B1441-7	UKS-B1441-10	UKS-B1441-2
16	5	UKS-B1541-4	UKS-B1541-9	UKS-B1541-6	UKS-B1541-7	UKS-B1541-10	UKS-B1541-2
32	3	UKS-B2341-4	UKS-B2341-6	UKS-B2341-9	UKS-B2341-7	UKS-B2341-10	UKS-B2341-2
32	4	UKS-B2441-4	UKS-B2441-9	UKS-B2441-6	UKS-B2441-7	UKS-B2441-10	UKS-B2441-2
32	5	UKS-B2541-4	UKS-B2541-9	UKS-B2541-6	UKS-B2541-7	UKS-B2541-10	UKS-B2541-2

▲ IP 44 法兰尺寸 73.5X64mm (16A, 3极)、100X92mm, 向内倾斜20°, 附加插座

▲ IP 44 Panel mounted socket: size of flange 73.5X64mm(16A,3pole), 100X92mm, inward tilt 20°

Parameter

参数

电流(A) Current (A)		16			32			
极数 Pole (P)		3	4	5/7	3	4	5/7	
尺寸 Dimension (mm)	a	73.5	100	100	100	100	100	
	b	64	92	92	92	92	92	
	c	52	58	58	62	62	62	
	d	60	85	85	85	85	85	
	e	52	77	77	77	77	77	
	f	5.3	5.3	5.3	5.3	5.3	5.3	
	g	7	8	8	8	8	8	
	g.1	2	2	2	2	2	2	
	h	79	105	105	107	107	112	
	k	41	41	41	51	51	52	
	l	52	60	65	70	70	73	
l1	60	65	72	82	82	86		
导线横截面积从最小至最大 Conductor cross section(mm ²) Min.-max.		1.5	1.5	1.5	2.5	2.5	2.5	
		-4	-4	-4	-10	-10	-10	

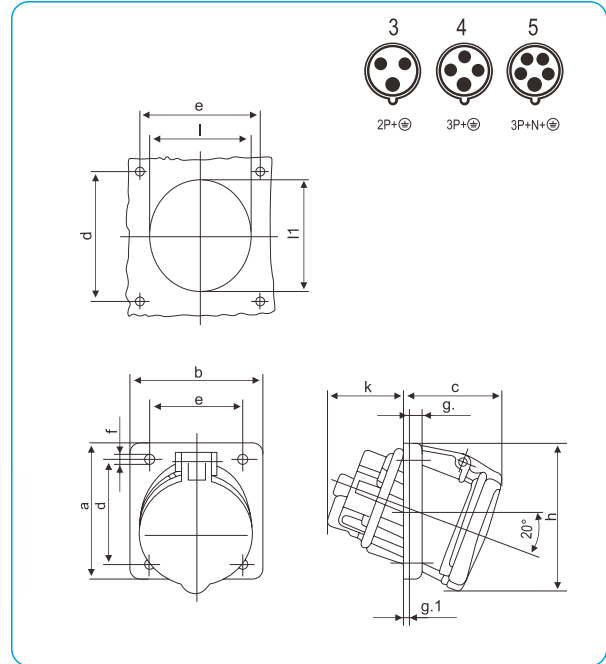
其它电压和频率的产品请来函询问 Other requirements, please contact us freely

German industrial standard: DIN VDE 0623, European / International standard: EN/IEC 60309-2

◆ 符合德国工业标准 DIN VDE 0623, 欧洲/国际标准 EN/IEC 60309-2 www.kripal.com

Panel Mounted Socket

附加插座



Description

选型

电流(A) Current(A)	极数 Pole	110 V 50 a. 60 Hz 3P 4P 5P 4h 4h 4h	230 V 50 a. 60 Hz 3P 4P 5P 6h 3h 9h	400 V 50 a. 60 Hz 3P 4P 5P 9h 6h 6h	500 V 50 a. 60 Hz 3P 4P 5P 7h 7h 7h	>50-500V 100-300Hz 3P 4P 5P 10h 10h 10h	>50-500V a.300-500Hz 3P 4P 2h 2h
63	3	UKS-B3341-4	UKS-B3341-6	UKS-B3341-9	UKS-B3341-7		
63	4	UKS-B3441-4	UKS-B3441-9	UKS-B3441-6	UKS-B3441-7		
63	5	UKS-B3541-4	UKS-B3541-9	UKS-B3541-6	UKS-B3541-7		

▲ IP 44 软接触工艺, 法兰尺寸 110X106mm, 向内倾斜20°, 附加插座

▲ IP 44 Panel mounted socket: soft-touch process, size of flange 110X106mm, inward tilt 20°

Parameter

参数

电流(A) Current (A)	63			
极数 Pole (P)	3	4	5	
尺寸 Dimension (mm)	a	110	110	110
	b	106	106	106
	c	85	85	85
	d	85	85	85
	e	77	77	77
	f	6.2	6.2	6.2
	g	12	12	12
	g.1	2	2	2
	h	125	125	125
	k	117	117	117
	l	69	69	69
l1	103	103	103	
导线横截面积从最小至最大 Conductor cross section (mm ²) Min.-max.	6	6	6	
	-25	-25	-25	

Other requirements, please contact us freely 其它电压和频率的产品请来函询问

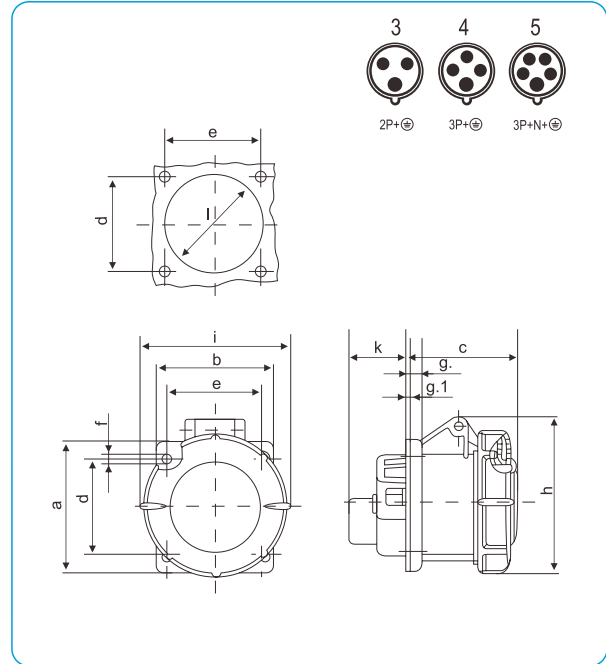
German industrial standard: DIN VDE 0623, European / Internationa standard: EN/IEC 60309-2

www.kripal.com ◆ 符合德国工业标准 DIN VDE 0623, 欧洲/国际标准EN/IEC 60309-2

KRIPAL

Panel Mounted Socket

附加插座



Description

选型

电流(A) Current(A)	极数 Pole	110 V 50 a. 60 Hz			230 V 50 a. 60 Hz			400 V 50 a. 60 Hz			500 V 50 a. 60 Hz			>50-500V 100-300Hz			>50-500V a.300-500Hz	
		3P 4h	4P 4h	5P 4h	3P 6h	4P 9h	5P 9h	3P 9h	4P 6h	5P 6h	3P 7h	4P 7h	5P 7h	3P 10h	4P 10h	5P 10h	3P 2h	4P 2h
16	3	UKS-B136-4	UKS-B146-4	UKS-B156-4	UKS-B136-6	UKS-B146-6	UKS-B156-6	UKS-B136-9	UKS-B146-9	UKS-B156-9	UKS-B136-7	UKS-B146-7	UKS-B156-7	UKS-B136-10	UKS-B146-10	UKS-B156-10	UKS-B136-2	UKS-B146-2
16	4	UKS-B136-4	UKS-B146-4	UKS-B156-4	UKS-B136-6	UKS-B146-6	UKS-B156-6	UKS-B136-9	UKS-B146-9	UKS-B156-9	UKS-B136-7	UKS-B146-7	UKS-B156-7	UKS-B136-10	UKS-B146-10	UKS-B156-10	UKS-B136-2	UKS-B146-2
16	5	UKS-B136-4	UKS-B146-4	UKS-B156-4	UKS-B136-6	UKS-B146-6	UKS-B156-6	UKS-B136-9	UKS-B146-9	UKS-B156-9	UKS-B136-7	UKS-B146-7	UKS-B156-7	UKS-B136-10	UKS-B146-10	UKS-B156-10	UKS-B136-2	UKS-B146-2
32	3	UKS-B236-4	UKS-B246-4	UKS-B256-4	UKS-B236-6	UKS-B246-6	UKS-B256-6	UKS-B236-9	UKS-B246-9	UKS-B256-9	UKS-B236-7	UKS-B246-7	UKS-B256-7	UKS-B236-10	UKS-B246-10	UKS-B256-10	UKS-B236-2	UKS-B246-2
32	4	UKS-B236-4	UKS-B246-4	UKS-B256-4	UKS-B236-6	UKS-B246-6	UKS-B256-6	UKS-B236-9	UKS-B246-9	UKS-B256-9	UKS-B236-7	UKS-B246-7	UKS-B256-7	UKS-B236-10	UKS-B246-10	UKS-B256-10	UKS-B236-2	UKS-B246-2
32	5	UKS-B236-4	UKS-B246-4	UKS-B256-4	UKS-B236-6	UKS-B246-6	UKS-B256-6	UKS-B236-9	UKS-B246-9	UKS-B256-9	UKS-B236-7	UKS-B246-7	UKS-B256-7	UKS-B236-10	UKS-B246-10	UKS-B256-10	UKS-B236-2	UKS-B246-2

▲ IP 67 法兰尺寸 75X75mm (16A) 、85X75mm (32A) ，直插式，附加插座

▲ IP 67 Panel mounted socket: size of flange 75X75mm(16A), 85X75mm(32A), straight

63	3	UKS-B336-4	UKS-B336-6	UKS-B336-9	UKS-B336-7		
63	4	UKS-B346-4	UKS-B346-6	UKS-B346-9	UKS-B346-7		
63	5	UKS-B356-4	UKS-B356-6	UKS-B356-9	UKS-B356-7		

▲ IP 67 软接触工艺，法兰尺寸107X100mm，直插式，附加插座

▲ IP 67 Panel mounted socket: soft-touch process, size of flange 107x100mm, straight

16	3	UKS-B1365-4	UKS-B1365-6	UKS-B1365-9		
16	4	UKS-B1465-4	UKS-B1465-6	UKS-B1465-9		

▲ IP 67 法兰尺寸 65X65mm (16A) 、安装尺寸52X52mm (一体式)

▲ IP 67 Panel mounted socket: size of flange 65X65mm(16A), installation size 52X52mm(one-piece body)

Parameter

参数

电流(A) Current (A)	16									32			63			16								
	3			4			5			3			4			5			3			4		
极数 Pole (P)	3			4			5			3			4			5			3			4		
尺寸 Dimension (mm)	a	75	75	75	85	85	85	107	107	107	一体式 One-piece body						65	65						
	b	75	75	75	75	75	75	100	100	100							65	65						
	c	60	61	61	70	70	72	84	84	84							60	58.9						
	d	60	60	60	60	60	60	85	85	85							52	52						
	e	60	60	60	60	60	60	77	77	77							52	52						
	f	5.5	5.5	5.5	5.5	5.5	5.5	6.5	6.5	6.5							5.5	5.5						
	g	8	8	8	8	8	8	12	12	12							9	9						
	g.1	2	2	2	2	2	2	2	2	2							2	2						
	h	83	88	95	99	99	105	113	113	113							86	91.5						
	l	78	85	96	103	103	110	118	118	118							7.5	10.5						
	k	30	30	30	38	38	38	55	55	55							21.2	22.1						
l	50	54	57	62	62	65	94	94	94							50	54							
导线横截面积从最小至最大 Conductor cross section (mm ²) Min.-max.	1.5			1.5			2.5			2.5			6			6			1.5			1.5		
	-4			-4			-10			-10			-25			-25			-4			-4		

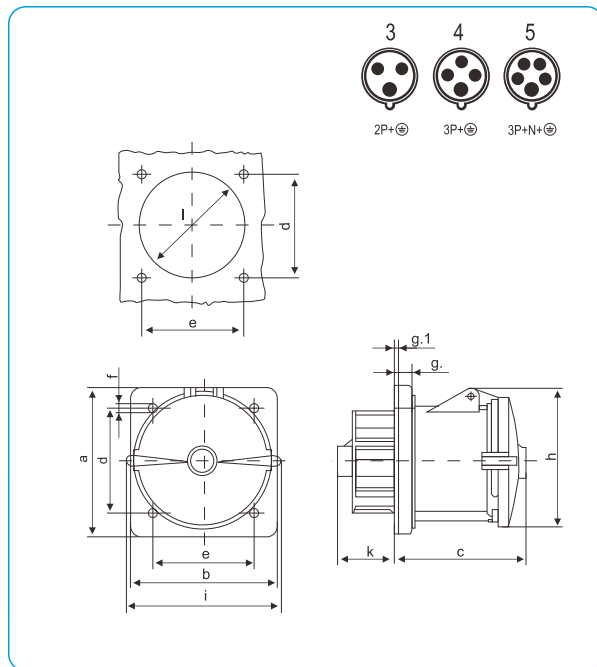
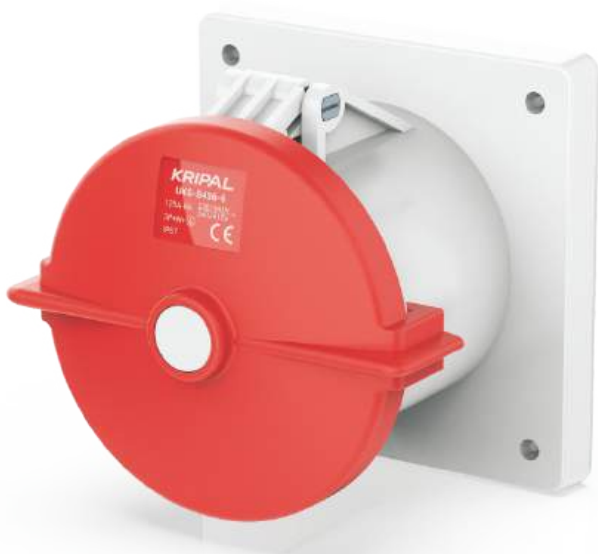
其它电压和频率的产品请来函询问 Other requirements, please contact us freely

German industrial standard: DIN VDE 0623, European / International standard: EN/IEC 60309-2

◆ 符合德国工业标准 DIN VDE 0623, 欧洲/国际标准 EN/IEC 60309-2 www.kripal.com

Panel Mounted Socket

附加插座



Description

选型

电流(A) Current(A)	极数 Pole	110 V 50 a. 60 Hz 3P 4P 5P 4h 4h 4h	230 V 50 a. 60 Hz 3P 4P 5P 6h 3h 9h	400 V 50 a. 60 Hz 3P 4P 5P 9h 6h 6h	500 V 50 a. 60 Hz 3P 4P 5P 7h 7h 7h	>50-500V 100-300Hz 3P 4P 5P 10h 10h 10h	>50-500V a.300-500Hz 3P 4P 2h 2h
125	3	UKS-B436-4	UKS-B436-6	UKS-B436-9	UKS-B436-7		
125	4	UKS-B446-4	UKS-B446-9	UKS-B446-6	UKS-B446-7		
125	5	UKS-B456-4	UKS-B456-9	UKS-B456-6	UKS-B456-7		

▲ IP 67 笼式弹簧接触工艺，法兰尺寸130X130mm，直插式，附加插座

▲ IP 67 Panel mounted socket: cage-clamp touch process, size of flange 130X130mm, straight

Parameter

参数

电流(A) Current (A)	125			
极数 Pole (P)	3	4	5	
尺寸 Dimension (mm)	a	130	130	130
	b	130	130	130
	c	124	124	124
	d	104	104	104
	e	104	104	104
	f	6.5	6.5	6.5
	g	18	18	18
	g.1	2	2	2
	h	122	122	122
	i	135	135	135
	k	48	48	48
l	95	95	95	
导线横截面积从最小至最大 Conductor cross section (mm ²) Min.-max.	25	25	25	
	- 70	- 70	- 70	

Other requirements, please contact us freely 其它电压和频率的产品请来函询问

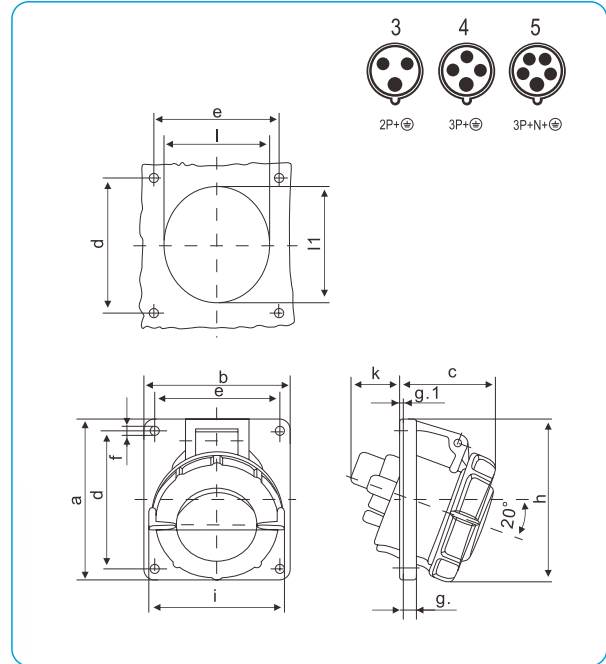
German industrial standard: DIN VDE 0623, European / Internationa standard: EN/IEC 60309-2

www.kripal.com ◆ 符合德国工业标准 DIN VDE 0623, 欧洲/国际标准EN/IEC 60309-2

KRIPAL

Panel Mounted Socket

附加插座



Description

选型

电流(A) Current(A)	极数 Pole	110 V 50 a. 60 Hz			230 V 50 a. 60 Hz			400 V 50 a. 60 Hz			500 V 50 a. 60 Hz			>50-500V 100-300Hz			>50-500V a.300-500Hz		
		3P 4h	4P 4h	5P 4h	3P 6h	4P 9h	5P 9h	3P 9h	4P 6h	5P 6h	3P 7h	4P 7h	5P 7h	3P 10h	4P 10h	5P 10h	3P 2h	4P 2h	5P 2h
16	3	UKS-B1361-4	UKS-B1361-6	UKS-B1361-9	UKS-B1361-7	UKS-B1361-10	UKS-B1361-2												
16	4	UKS-B1461-4	UKS-B1461-9	UKS-B1461-6	UKS-B1461-7	UKS-B1461-10	UKS-B1461-2												
16	5	UKS-B1561-4	UKS-B1561-9	UKS-B1561-6	UKS-B1561-7	UKS-B1561-10	UKS-B1561-2												
32	3	UKS-B2361-4	UKS-B2361-6	UKS-B2361-9	UKS-B2361-7	UKS-B2361-10	UKS-B2361-2												
32	4	UKS-B2461-4	UKS-B2461-9	UKS-B2461-6	UKS-B2461-7	UKS-B2461-10	UKS-B2461-2												
32	5	UKS-B2561-4	UKS-B2561-9	UKS-B2561-6	UKS-B2561-7	UKS-B2561-10	UKS-B2561-2												

▲ IP 67 法兰尺寸 73.5X64mm (16A, 3极)、100X92mm, 向内倾斜20°, 附加插座

▲ IP 67 Panel mounted socket: size of flange 73.5X64mm(16A, 3 pole), 100X92mm, inward tilt 20°

63	3	UKS-B3361-4	UKS-B3361-6	UKS-B3361-9	UKS-B3361-7													
63	4	UKS-B3461-4	UKS-B3461-9	UKS-B3461-6	UKS-B3461-7													
63	5	UKS-B3561-4	UKS-B3561-9	UKS-B3561-6	UKS-B3561-7													

▲ IP 67 软接触工艺, 法兰尺寸 110X106mm, 向内倾斜20°, 附加插座

▲ IP 67 Panel mounted socket: soft-touch process, size of flange 110X106mm, inward tilt 20°

Parameter

参数

电流(A) Current (A)		16			32			63			
极数 Pole (P)		3	4	5/7	3	4	5/7	3	4	5	
尺寸 Dimension (mm)		a	73.5	100	100	100	100	100	110	110	110
		b	64	92	92	92	92	92	106	106	106
		c	52	59	62	64	64	66	85	85	85
		d	60	85	85	85	85	85	85	85	85
		e	52	77	77	77	77	77	77	77	77
		f	5.3	5.3	5.3	5.3	5.3	5.3	6.2	6.2	6.2
		g	7	8	8	8	8	8	12	12	12
		g.1	2	2	2	2	2	2	2	2	2
		h	84	103	105	109	109	113	125	125	125
		i	78	85	96	103	103	110	117	117	117
		k	41	35	35	54	54	54	69	69	69
		l	52	60	65	70	70	73	90	90	90
		ll	60	65	72	82	82	86	103	103	103
导线横截面积从最小至最大 Conductor cross section (mm ²) Min.-max.			1.5	1.5	1.5	2.5	2.5	2.5	6	6	6
			-4	-4	-4	-10	-10	-10	-25	-25	-25

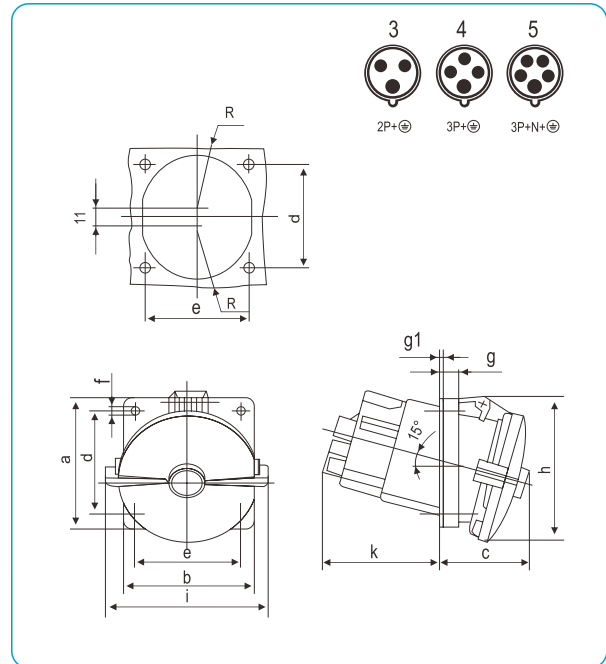
其它电压和频率的产品请来函询问 Other requirements, please contact us freely

German industrial standard: DIN VDE 0623, European / International standard: EN/IEC 60309-2

◆ 符合德国工业标准 DIN VDE 0623, 欧洲/国际标准 EN/IEC 60309-2 www.kripal.com

Panel Mounted Socket

附加插座



Description

选型

电流(A) Current(A)	极数 Pole	110 V 50 a. 60 Hz 3P 4P 5P 4h 4h 4h	230 V 50 a. 60 Hz 3P 4P 5P 6h 3h 9h	400 V 50 a. 60 Hz 3P 4P 5P 9h 6h 6h	500 V 50 a. 60 Hz 3P 4P 5P 7h 7h 7h	>50-500V 100-300Hz 3P 4P 5P 10h 10h 10h	>50-500V a.300-500Hz 3P 4P 2h 2h
125	3	UKS-B4361-4	UKS-B4361-6	UKS-B4361-9	UKS-B4361-7		
125	4	UKS-B4461-4	UKS-B4461-9	UKS-B4461-6	UKS-B4461-7		
125	5	UKS-B4561-4	UKS-B4561-9	UKS-B4561-6	UKS-B4561-7		

▲ IP 67 笼式弹簧接触工艺，法兰尺寸114X110mm，向内倾斜15°；附加插座

▲ IP 67 Panel mounted socket: cage-clamp touch process, size of flange 114X110mm, inward tilt 15°

Parameter

参数

电流(A) Current (A)	125			
极数 Pole (P)	3	4	5/7	
尺寸 Dimension (mm)	a	114	114	114
	b	110	110	110
	c	85	85	85
	d	90	90	90
	e	90	90	90
	f	6.2	6.2	6.2
	g	13	13	13
	g.1	2	2	2
	h	135	135	135
	i	135	135	135
k	103	103	103	
R	47	47	47	
导线横截面积从最小至最大 Conductor cross section(mm ²) Min.-max.	25	25	25	
	-70	-70	-70	

Other requirements, please contact us freely 其它电压和频率的产品请来函询问

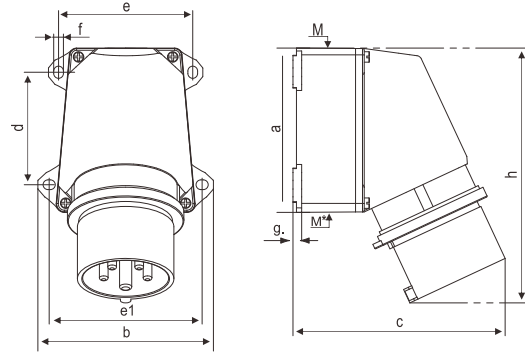
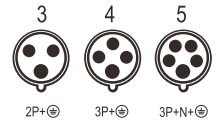
German industrial standard: DIN VDE 0623, European / Internationa standard: EN/IEC 60309-2

www.kripal.com ◆ 符合德国工业标准 DIN VDE 0623, 欧洲/国际标准EN/IEC 60309-2

KRIPAL

Wall Mounted Plug

装置插头



Description

选型

电流(A) Current(A)	极数 Pole	110 V 50 a. 60 Hz 3P 4P 5P 4h 4h 4h	230 V 50 a. 60 Hz 3P 4P 5P 6h 9h 9h	400 V 50 a. 60 Hz 3P 4P 5P 9h 6h 6h	500 V 50 a. 60 Hz 3P 4P 5P 7h 7h 7h	>50-500V 100-300Hz 3P 10h 4P 10h 5P 10h	>50-500V a.300-500Hz 3P 2h 4P 2h
16	3	UKS-D134-4	UKS-D134-6	UKS-D134-9	UKS-D134-7	UKS-D134-10	UKS-D134-2
16	4	UKS-D144-4	UKS-D144-9	UKS-D144-6	UKS-D144-7	UKS-D144-10	UKS-D144-2
16	5	UKS-D154-4	UKS-D154-9	UKS-D154-6	UKS-D154-7	UKS-D154-10	UKS-D154-2
32	3	UKS-D234-4	UKS-D234-6	UKS-D234-9	UKS-D234-7	UKS-D234-10	UKS-D234-2
32	4	UKS-D244-4	UKS-D244-9	UKS-D244-6	UKS-D244-7	UKS-D244-10	UKS-D244-2
32	5	UKS-D254-4	UKS-D254-9	UKS-D254-6	UKS-D254-7	UKS-D254-10	UKS-D254-2

▲ IP 44 CEE/IEC 装置插头

▲ IP 44 CEE/IEC Wall mounted plug

Parameter

参数

电流(A) Current (A)	16			32			
极数 Pole (P)	3	4	5/7	3	4	5/7	
尺寸 Dimension (mm)	a	95	95	95	120	120	120
	b	102	102	102	112	112	112
	c	117	118	122	141	141	141
	d	64.2	64.2	64.2	90.2	90.2	90.2
	e	77.5	77.5	77.5	79	79	79
	e1	88	88	88	98.5	98.5	98.5
	f	5.5	5.5	5.5	5.5	5.5	5.5
	g.	5	5	5	5	5	5
	h	144	146	147	189	189	189
	M	25	25	96	32	32	32
	M*	1个M25(堵头)可剪断 1XM25(removable)			1个M32(堵头)可剪断 1XM32(removable)		
最大电缆直径 Max cable diameter (mm)		18	18	18	25	25	25
导线横截面积从最小至最大 Conductor cross section (mm ²) Min.-max.		1.5	1.5	1.5	2.5	2.5	2.5
		-4	-4	-4	-10	-10	-10

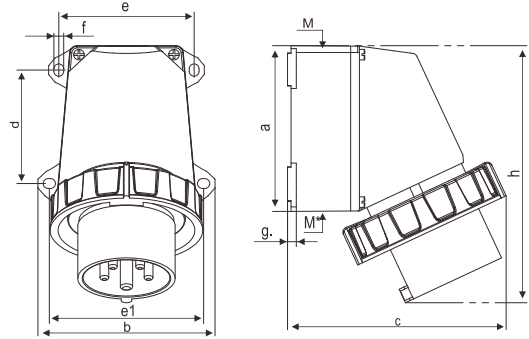
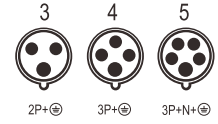
其它电压和频率的产品请来函询问 Other requirements, please contact us freely

German industrial standard: DIN VDE 0623, European / International standard: EN/IEC 60309-2

◆ 符合德国工业标准 DIN VDE 0623, 欧洲/国际标准EN/IEC 60309-2 www.kripal.com

Wall Mounted Plug

装置插头



Description

选型

电流(A) Current(A)	极数 Pole	110 V 50 a. 60 Hz 3P 4P 5P 4h 4h 4h	230 V 50 a. 60 Hz 3P 4P 5P 6h 3h 9h	400 V 50 a. 60 Hz 3P 4P 5P 9h 6h 6h	500 V 50 a. 60 Hz 3P 4P 5P 7h 7h 7h	>50-500V 100-300Hz 3P 4P 5P 10h 10h 10h	>50-500V a.300-500Hz 3P 4P 2h 2h
16	3	UKS-D136-4	UKS-D136-6	UKS-D136-9	UKS-D136-7	UKS-D136-10	UKS-D136-2
16	4	UKS-D146-4	UKS-D146-9	UKS-D146-6	UKS-D146-7	UKS-D146-10	UKS-D146-2
16	5	UKS-D156-4	UKS-D156-9	UKS-D156-6	UKS-D156-7	UKS-D156-10	UKS-D156-2
32	3	UKS-D236-4	UKS-D236-6	UKS-D236-9	UKS-D236-7	UKS-D236-10	UKS-D236-2
32	4	UKS-D246-4	UKS-D246-9	UKS-D246-6	UKS-D246-7	UKS-D246-10	UKS-D246-2
32	5	UKS-D256-4	UKS-D256-9	UKS-D256-6	UKS-D256-7	UKS-D256-10	UKS-D256-2

▲ IP 67 CEE / IEC 装置插头

▲ IP 67 CEE / IEC Wall mounted plug

Parameter

参数

电流(A) Current (A)	16			32			可加配附件保护罩 Protection Cover Extra	
极数 Pole (P)	3	4	5/7	3	4	5/7		
尺寸 Dimension (mm)	a	95	95	95	120	120	120	保护罩 16A 3P/4P/5P 16A 3P/4P/5P Protectin Cover
	b	102	102	102	112	112	112	
	c	118	123	127	145	145	150	保护罩 32A 3P/4P/5P 32A 3P/4P/5P Protectin Cover
	d	64.2	64.2	64.2	90.2	90.2	90.2	
	e	77.5	77.5	77.5	79	79	79	
	e1	88	88	88	98.5	98.5	98.5	
	f	5.5	5.5	5.5	5.5	5.5	5.5	
	g.	5	5	5	5	5	5	
	h	144	146	147	189	189	189	
	M	25	25	96	32	32	32	
	M*	1个M25(堵头)可剪断 1XM25(removable)			1个M32(堵头)可剪断 1XM32(removable)			
最大电缆直径 Max cable diameter (mm)	18	18	18	25	25	25		
导线横截面积从最小至最大 Conductor cross section(mm ²) Min.-max.	1.5	1.5	1.5	2.5	2.5	2.5		
	-4	-4	-4	-10	-10	-10		



Other requirements, please contact us freely 其它电压和频率的产品请来函询问

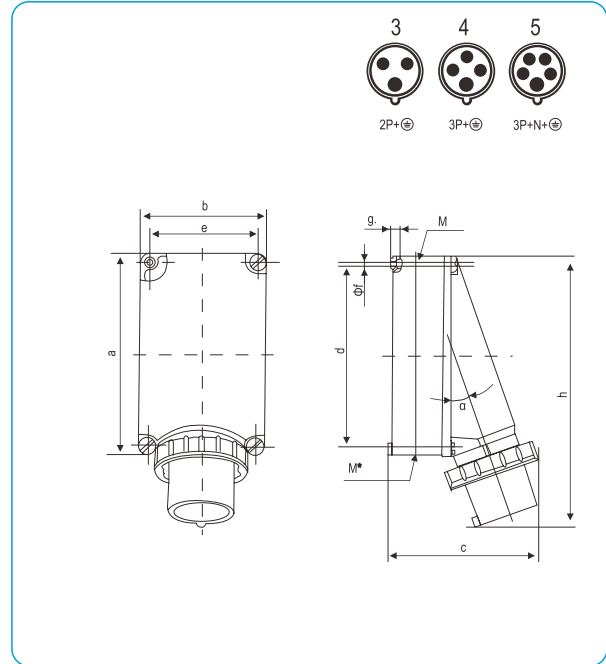
German industrial standard: DIN VDE 0623, European / Internationa standard: EN/IEC 60309-2

www.kripal.com ◆ 符合德国工业标准 DIN VDE 0623, 欧洲/国际标准EN/IEC 60309-2

KRIPAL

Wall Mounted Plug

装置插头



Description

选型


电流(A) Current(A)	极数 Pole	110 V 50 a. 60 Hz 3P 4P 5P 4h 4h 4h	230 V 50 a. 60 Hz 3P 4P 5P 6h 9h 9h	400 V 50 a. 60 Hz 3P 4P 5P 9h 6h 6h	500 V 50 a. 60 Hz 3P 4P 5P 7h 7h 7h	>50-500V 100-300Hz 3P 4P 5P 10h 10h 10h	>50-500V a.300-500Hz 3P 4P 2h 2h
63	3	UKS-D336-4	UKS-D336-6	UKS-D336-9	UKS-D336-7	UKS-D336-10	UKS-D336-2
63	4	UKS-D346-4	UKS-D346-9	UKS-D346-6	UKS-D346-7	UKS-D346-10	UKS-D346-2
63	5	UKS-D356-4	UKS-D356-9	UKS-D356-6	UKS-D356-7	UKS-D356-10	UKS-D356-2
125	3	UKS-D436-4	UKS-D436-6	UKS-D436-9	UKS-D436-7	UKS-D436-10	UKS-D436-2
125	4	UKS-D446-4	UKS-D446-9	UKS-D446-6	UKS-D446-7	UKS-D446-10	UKS-D446-2
125	5	UKS-D456-4	UKS-D456-9	UKS-D456-6	UKS-D456-7	UKS-D456-10	UKS-D456-2

▲ IP 67 CEE/IEC 装置插头

▲ IP 67 CEE/IEC Wall mounted plug

Parameter

参数

电流(A) Current (A)	63			125		可加配附件保护罩 Protection Cover Extra	
极数 Pole (P)	3	4	5	4	5		
尺寸 Dimension (mm)	a	170	170	170	264	264	保护罩 63A 3P/4P/5P 63A 3P/4P/5P Protectin Cover
	b	118	118	118	163	163	
	c	171	171	171	205	205	保护罩 125A 4P/5P 125A 4P/5P Protectin Cover
	d	136	136	136	240	240	
	e	104	104	104	140	140	
	f	6.1	6.1	6.1	8.1	8.1	
	g	6	6	6	8	8	
	h	250	250	250	355	355	
	M	40	40	40	50	50	
	M*	2X40	2X40	2X40	50	50	
		25°	25°	25°	20°	20°	
最大电缆直径 Max cable diameter (mm)	32	32	32	38	38		
导线横截面积从最小至最大 Conductor cross section (mm ²) Min.-max.	4	4	4	16	16		
	-10	-10	-10	-35	-35		

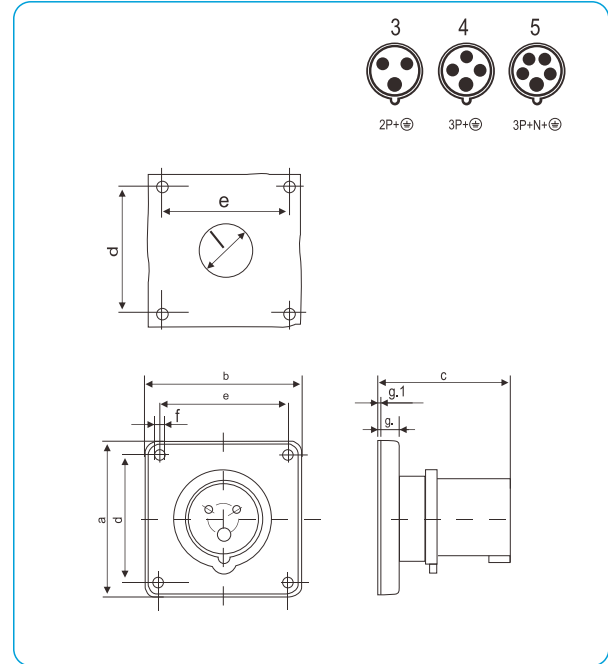
其它电压和频率的产品请来函询问 Other requirements, please contact us freely

German industrial standard: DIN VDE 0623, European / International standard: EN/IEC 60309-2

◆ 符合德国工业标准 DIN VDE 0623, 欧洲/国际标准 EN/IEC 60309-2 www.kripal.com

Wall Mounted Plug

装置插头



Description

选型

电流(A) Current(A)	极数 Pole	110 V 50 a. 60 Hz 3P 4P 5P 4h 4h 4h	230 V 50 a. 60 Hz 3P 4P 5P 6h 3h 9h	400 V 50 a. 60 Hz 3P 4P 5P 9h 6h 6h	500 V 50 a. 60 Hz 3P 4P 5P 7h 7h 7h	>50-500V 100-300Hz 3P 4P 5P 10h 10h 10h	>50-500V a.300-500Hz 3P 4P 2h 2h
16	3	UKS-E134-4	UKS-E134-6	UKS-E134-9	UKS-E134-7		
16	4	UKS-E144-4	UKS-E144-9	UKS-E144-6	UKS-E144-7		
16	5	UKS-E154-4	UKS-E154-9	UKS-E154-6	UKS-E154-7		
32	3	UKS-E234-4	UKS-E234-6	UKS-E234-9	UKS-E234-7		
32	4	UKS-E244-4	UKS-E244-9	UKS-E244-6	UKS-E244-7		
32	5	UKS-E254-4	UKS-E254-9	UKS-E254-6	UKS-E254-7		

▲ IP 44 CEE / IEC 附加装置插头，插销表面镀铬

▲ IP 44 CEE / IEC Panel mounted plug: nickel plated contacts

Parameter

参数

电流(A) Current (A)	16						32		
极数 Pole (P)	3			4			5		
尺寸 Dimension (mm)	a	85.7	85.7	85.7	85.7	85.7	85.7	85.7	85.7
	b	85.7	85.7	85.7	85.7	85.7	85.7	85.7	85.7
	c	72	72	72	90	90	90	90	90
	d	69.5	69.5	69.5	69.5	69.5	69.5	69.5	69.5
	e	69.5	69.5	69.5	69.5	69.5	69.5	69.5	69.5
	f	5.5	5.5	5.5	5.5	5.5	5.5	5.5	5.5
	g	11	11	11	11	11	11	11	11
	g.1	2	2	2	2	2	2	2	2
	l	50	50	50	50	50	50	50	50
	导线横截面积从最小至最大 Conductor cross section (mm ²) Min.-max.	1.5	1.5	1.5	2.5	2.5	2.5	- 4	- 4

Other requirements, please contact us freely 其它电压和频率的产品请来函询问

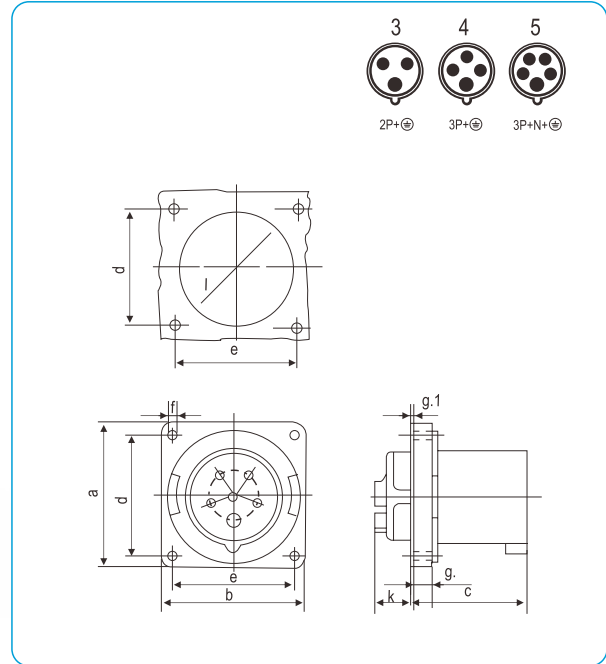
German industrial standard: DIN VDE 0623, European / Internationa standard: EN/IEC 60309-2

www.kripal.com ◆ 符合德国工业标准 DIN VDE 0623, 欧洲/国际标准EN/IEC 60309-2

KRIPAL

Panel Mounted Plug

附加装置插头



Description

选型

电流(A) Current(A)	极数 Pole	110 V 50 a. 60 Hz 3P 4P 5P 4h 4h 4h	230 V 50 a. 60 Hz 3P 4P 5P 6h 9h 9h	400 V 50 a. 60 Hz 3P 4P 5P 9h 6h 6h	500 V 50 a. 60 Hz 3P 4P 5P 7h 7h 7h	>50-500V 100-300Hz 3P 4P 5P 10h 10h 10h	>50-500V a.300-500Hz 3P 4P 2h 2h
63 63 63	3 4 5	UKS-E334-4 UKS-E344-4 UKS-E354-4	UKS-E334-6 UKS-E344-9 UKS-E354-9	UKS-E334-9 UKS-E344-6 UKS-E354-6	UKS-E334-7 UKS-E344-7 UKS-E354-7		

▲ IP 44 CEE / IEC 附加装置插头，耐高温接触载体，插销表面镀镍

▲ IP 44 CEE / IEC Panel mounted plug: highly heat resistant contact carrier, nickel plated contacts

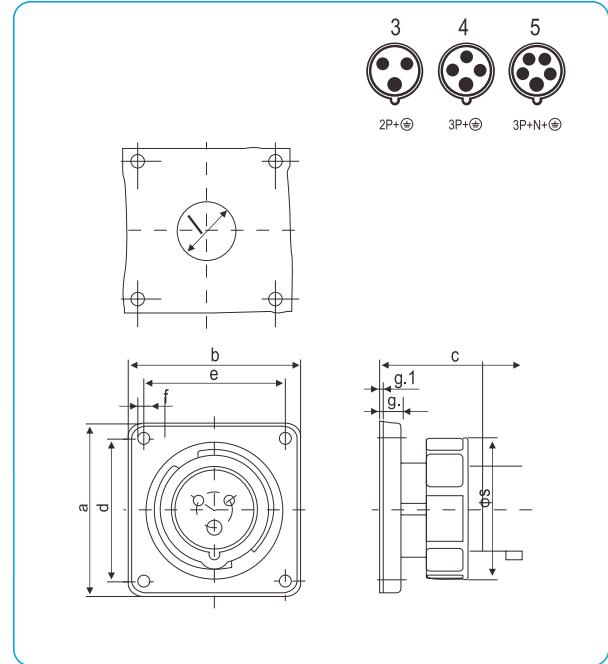
Parameter

参数

电流(A) Current (A)		63		
极数 Pole (P)		3	4	5
尺寸 Dimension (mm)	a	110	110	110
	b	106	106	106
	c	85	85	85
	d	90	90	90
	e	90	90	90
	f	5.5	5.5	5.5
	g	12	12	12
	g.1	2	2	2
	K	28	28	28
	l	68	68	68
导线横截面积从最小至最大 Conductor cross section (mm ²) Min.-max.		6 - 16	6 - 16	6 - 16

Panel Mounted Plug

附加装置插头



Description

选型

电流(A) Current(A)	极数 Pole	110 V 50 a. 60 Hz 3P 4P 5P 4h 4h 4h	230 V 50 a. 60 Hz 3P 4P 5P 6h 3h 9h	400 V 50 a. 60 Hz 3P 4P 5P 9h 6h 6h	500 V 50 a. 60 Hz 3P 4P 5P 7h 7h 7h	>50-500V 100-300Hz 3P 4P 5P 10h 10h 10h	>50-500V a.300-500Hz 3P 4P 2h 2h
16	3	UKS-E136-4	UKS-E136-6	UKS-E136-9	UKS-E136-7		
16	4	UKS-E146-4	UKS-E146-9	UKS-E146-6	UKS-E146-7		
16	5	UKS-E156-4	UKS-E156-9	UKS-E156-6	UKS-E156-7		
32	3	UKS-E236-4	UKS-E236-6	UKS-E236-9	UKS-E236-7		
32	4	UKS-E246-4	UKS-E246-9	UKS-E246-6	UKS-E246-7		
32	5	UKS-E256-4	UKS-E256-9	UKS-E256-6	UKS-E256-7		

▲ IP 67 CEE / IEC 附加装置插头，耐高温接触载体，插销表面镀镍

▲ IP 67 CEE / IEC Panel mounted plug: highly heat resistant contact carrier, nickel plated contacts

Parameter

参数

电流(A) Current (A)		16			32		
极数 Pole (P)		3	4	5	3	4	5
尺寸 Dimension (mm)	a	85.7	85.7	85.7	85.7	85.7	85.7
	b	85.7	85.7	85.7	85.7	85.7	85.7
	c	72	72	72	90	90	90
	d	69.5	69.5	69.5	69.5	69.5	69.5
	e	69.5	69.5	69.5	69.5	69.5	69.5
	f	5.5	5.5	5.5	5.5	5.5	5.5
	g	11	11	11	11	11	11
	g.1	2	2	2	2	2	2
	l	50	50	50	50	50	50
	s	71	79	89	94	94	102
导线横截面积从最小至最大 Conductor cross section (mm ²) Min.-max.		1.5 -4	1.5 -4	1.5 -4	2.5 -10	2.5 -10	2.5 -10

Other requirements, please contact us freely 其它电压和频率的产品请来函询问

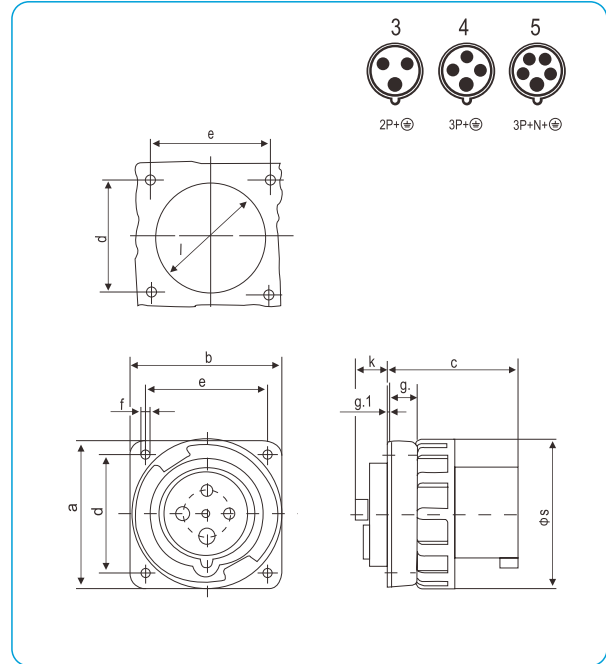
German industrial standard: DIN VDE 0623, European / Internationa standard: EN/IEC 60309-2

www.kripal.com ◆ 符合德国工业标准 DIN VDE 0623, 欧洲/国际标准EN/IEC 60309-2

KRIPAL

Panel Mounted Plug

附加装置插头



Description

选型

电流(A) Current(A)	极数 Pole	110 V 50 a. 60 Hz 3P 4P 5P 4h 4h 4h	230 V 50 a. 60 Hz 3P 4P 5P 6h 3h 9h	400 V 50 a. 60 Hz 3P 4P 5P 9h 6h 6h	500 V 50 a. 60 Hz 3P 4P 5P 7h 7h 7h	>50-500V 100-300Hz 3P 4P 5P 10h 10h 10h	>50-500V a.300-500Hz 3P 4P 2h 2h
63	3	UKS-E336-4	UKS-E336-6	UKS-E336-9	UKS-E336-7		
63	4	UKS-E346-4	UKS-E346-9	UKS-E346-6	UKS-E346-7		
63	5	UKS-E356-4	UKS-E356-9	UKS-E356-6	UKS-E356-7		
125	3	UKS-E436-4	UKS-E436-6	UKS-E436-9	UKS-E436-7		
125	4	UKS-E446-4	UKS-E446-9	UKS-E446-6	UKS-E446-7		
125	5	UKS-E456-4	UKS-E456-9	UKS-E456-6	UKS-E456-7		

▲ IP 44 CEE / IEC 附加装置插头，耐高温接触载体，插销表面镀镍

▲ IP 44 CEE / IEC Panel mounted plug: highly heat resistant contact carrier, nickel plated contacts

Parameter

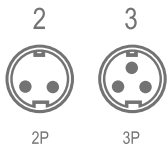
参数

电流(A) Current (A)		63			125			可加配附件保护罩 Protection Cover Extra
极数 Pole (P)		3	4	5	3	4	5	
尺寸 Dimension (mm)	a	110	110	110	130	130	130	保护罩 63A 3P/4P/5P 63A 3P/4P/5P Protectin Cover
	b	106	106	106	130	130	130	
	c	85	85	85	112	112	112	
	d	90	90	90	104	104	104	保护罩 125A 3P/4P/5P 125A 3P/4P/5P Protectin Cover
	e	90	90	90	104	104	104	
	f	5.5	5.5	5.5	6.5	6.5	6.5	
	g	11	11	11	18	18	18	
	g.1	2	2	2	2	2	2	
	k	28	28	28	28	28	28	
	l	68	68	68	95	95	95	
	s	113	113	113	132	132	132	
导线横截面积从最小至最大 Conductor cross section (mm ²) Min.-max.		6	6	6	25	25	25	
		-16	-16	-16	-70	-70	-70	



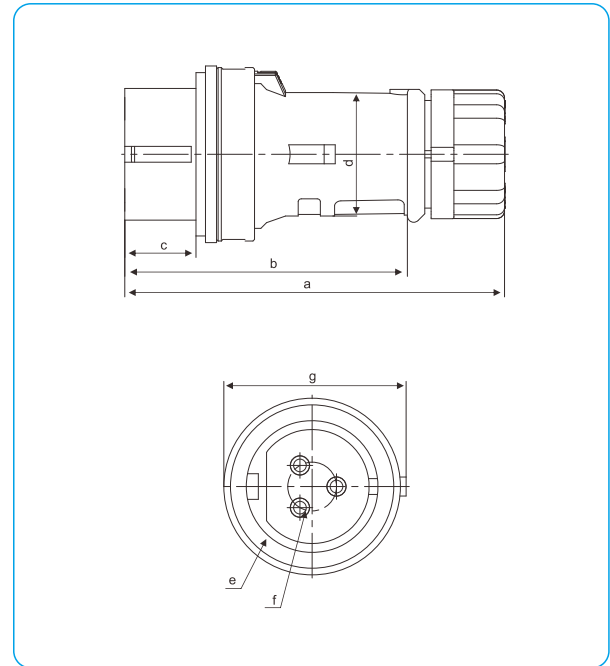
Low Voltage Plug

低压插头



2P

3P



Description

选型

电流(A) Current(A)	极数 Pole	20-25 V 50 a. 60 Hz	40-50V 50 a. 60 Hz 12h				
16 16	2 3	UKS-A1243 UKS-A1343	UKS-A1244-12 UKS-A1344-12				
32 32	2 3	UKS-A2243 UKS-A2343	UKS-A2244-12 UKS-A2344-12				

▲ IP 44 CEE / IEC 低压插头

▲ IP 44 CEE / IEC Low voltage plug

Parameter

参数

电流(A) Current (A)		16		32		
极数 Pole (P)		2	3	2	3	
尺寸 Dimension (mm)	a	120	120	120	120	
	b	89.5	89.5	89.5	89.5	
	c	22.5	22.5	22.5	22.5	
	d	39	39	39	39	
	e	41.5	41.5	41.5	41.5	
	f	15.4	15.4	15.4	15.4	
	g	57.6	57.6	57.6	57.6	
导线横截面积从最小至最大 Conductor cross section (mm ²) Min.-max.		1.5 - 2.5	1.5 - 2.5	4 - 6	4 - 6	

Other colors, please contact us freely 其它颜色请来函询问

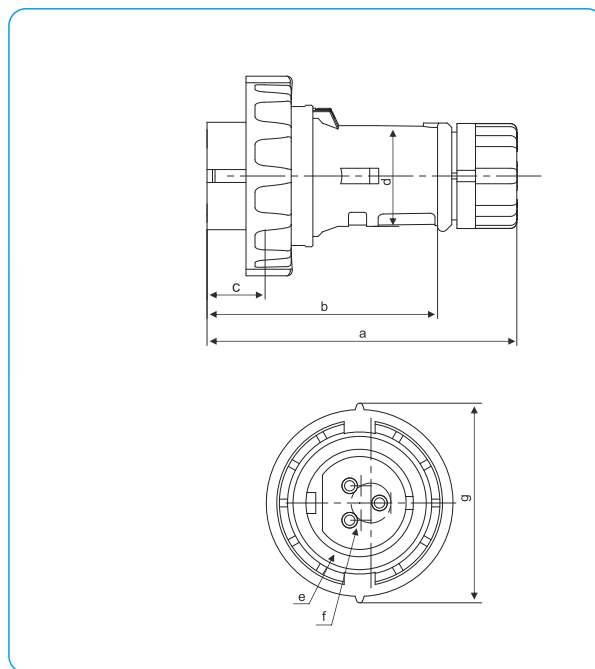
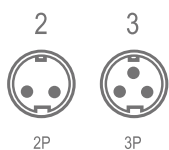
European / International standard: EN/IEC 60309-2

www.kripal.com ◆ 欧洲/国际标准EN/IEC 60309-2

KRIPAL

Low Voltage Plug

低压插头



Description

选型

电流(A) Current(A)	极数 Pole	20-25 V 50 a. 60 Hz	40-50V 50 a. 60 Hz				
		-	12h				
16	2	UKS-A1263	UKS-A1264-12				
16	3	UKS-A1363	UKS-A1364-12				
32	2	UKS-A2263	UKS-A2264-12				
32	3	UKS-A2363	UKS-A2364-12				

▲ IP 67 CEE / IEC 低压插头

▲ IP 67 CEE / IEC Low voltage plug

Parameter

参数

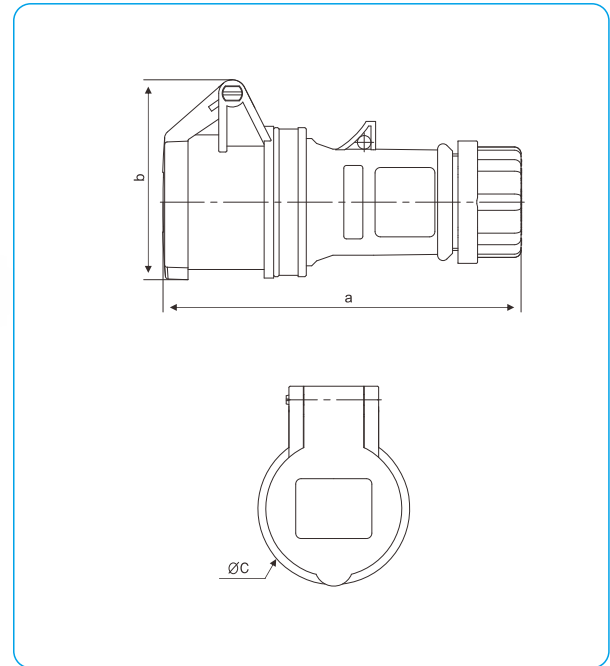
电流(A) Current (A)		16		32			
		2	3	2	3		
极数 Pole (P)							
尺寸 Dimension (mm)	a	120	120	120	120		
	b	89.5	89.5	89.5	89.5		
	c	22.5	22.5	22.5	22.5		
	d	39	39	39	39		
	e	41.5	41.5	41.5	41.5		
	f	15.4	15.4	15.4	15.4		
	g	77.5	77.5	77.5	77.5		
导线横截面积从最小至最大 Conductor cross section (mm ²) Min.-max.		1.5	1.5	4	4		
		- 2.5	- 2.5	- 6	- 6		

其它颜色请来函询问 Other colors, please contact us freely
European / International standard: EN/IEC 60309-2

◆ 欧洲/国际标准EN/IEC 60309-2 www.kripal.com

Low Voltage Connector

低压连接器



Description

选型

电流(A) Current(A)	极数 Pole	20-25 V	40-50V				
		50 a. 60 Hz	50 a. 60 Hz				
			12h				
16	2	UKS-C1243	UKS-C1244-12				
16	3	UKS-C1343	UKS-C1344-12				
32	2	UKS-C2243	UKS-C2244-12				
32	3	UKS-C2343	UKS-C2344-12				

▲ IP 44 CEE / IEC 低压连接器

▲ IP 44 CEE / IEC Low voltage connector

Parameter

参数

电流(A) Current (A)	极数 Pole (P)	16		32			
		2	3	2	3		
尺寸 Dimension (mm)	a	132	132	132	132		
	b	73.5	73.5	73.5	73.5		
	c	50	50	50	50		

Other colors, please contact us freely 其它颜色请来函询问

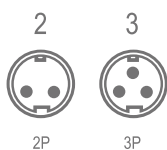
European / International standard: EN/IEC 60309-2

www.kripal.com ◆ 欧洲/国际标准EN/IEC 60309-2

KRIPAL

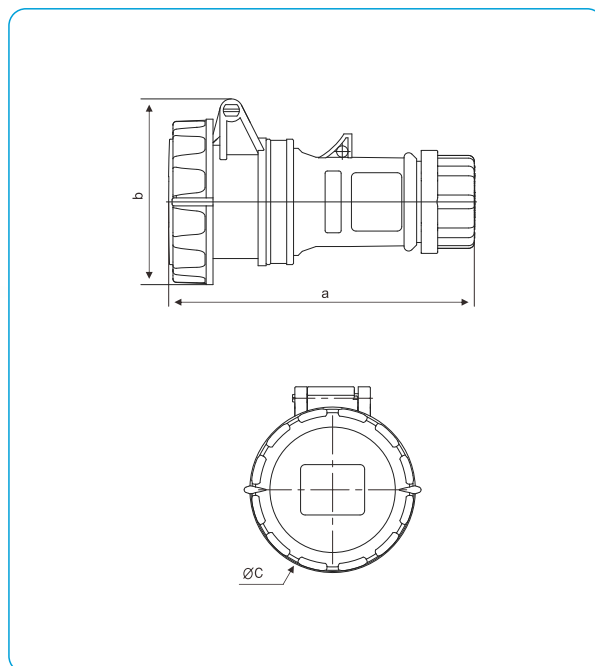
Low Voltage Connector

低压连接器



2P

3P



Description

选型

电流(A) Current(A)	极数 Pole	20-25 V 50 a. 60 Hz	40-50V 50 a. 60 Hz				
		-	12h				
16	2	UKS-C1263	UKS-C1264-12				
16	3	UKS-C1363	UKS-C1364-12				
32	2	UKS-C2263	UKS-C2264-12				
32	3	UKS-C2363	UKS-C2364-12				

▲ IP 67 CEE / IEC 低压连接器

▲ IP 67 CEE / IEC Low voltage connector

Parameter

参数

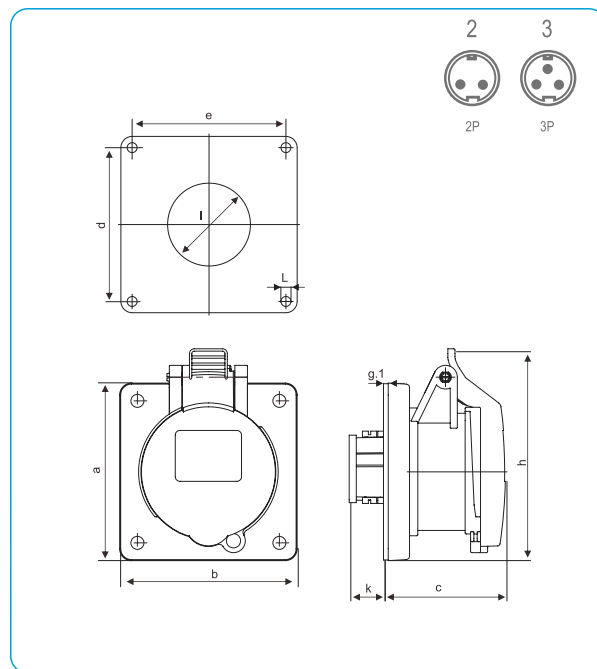
电流(A) Current (A)		16		32		
极数 Pole (P)		2	3	2	3	
尺寸 Dimension (mm)	a	134	134	134	134	
	b	81	81	81	81	
	c	72	72	72	72	

其它颜色请来函询问 Other colors, please contact us freely
European / International standard: EN/IEC 60309-2

◆ 欧洲/国际标准EN/IEC 60309-2 www.kripal.com

Low Voltage Panel Mounted Socket

低压附加插座



Description

选型

电流(A) Current(A)	极数 Pole	20-25 V 50 a. 60 Hz	40-50V 50 a. 60 Hz 12h				
16	2	UKS-B1243	UKS-B1244-12				
16	3	UKS-B1343	UKS-B1344-12				
32	2	UKS-B2243	UKS-B2244-12				
32	3	UKS-B2343	UKS-B2344-12				

▲ IP 44 CEE / IEC 低压附加插座

▲ IP 44 CEE / IEC Low voltage panel mounted socket

Parameter

参数

电流(A) Current (A)		16		32		
极数 Pole (P)		2	3	2	3	
尺寸 Dimension (mm)	a	75	75	75	75	
	b	75	75	75	75	
	c	51.5	51.5	51.5	51.5	
	d	60	60	60	60	
	e	60	60	60	60	
	f	4.2	4.2	4.2	4.2	
	g.	11	11	11	11	
	g.1	2	2	2	2	
	h	88	88	88	88	
	l	35	35	35	35	
	k	14.5	14.5	14.5	14.5	
导线横截面积从最小至最大 Conductor cross section (mm ²) Min.-max.		1.5 -2.5	1.5 -2.5	4 -6	4 -6	

Other colors, please contact us freely 其它颜色请来函询问

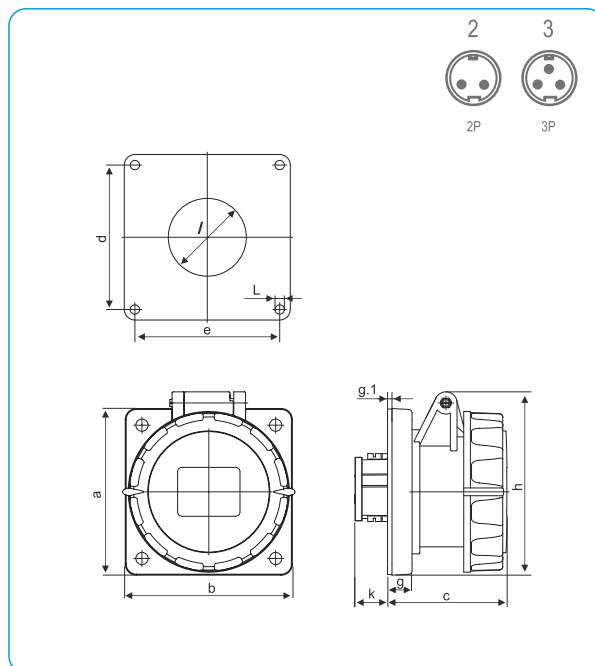
European / Internationa standard: EN/IEC 60309-2

www.kripal.com ◆ 欧洲/国际标准EN/IEC 60309-2

KRIPAL

Low Voltage Panel Mounted Socket

低压附加插座



Description

选型

电流(A) Current(A)	极数 Pole	20-25 V 50 a. 60 Hz	40-50V 50 a. 60 Hz 12h				
16	2	UKS-B1263	UKS-B1264-12				
16	3	UKS-B1363	UKS-B1364-12				
32	2	UKS-B2263	UKS-B2264-12				
32	3	UKS-B2363	UKS-B2364-12				

▲ IP 67 CEE / IEC 低压附加插座

▲ IP 67 CEE / IEC Low voltage panel mounted socket

Parameter

参数

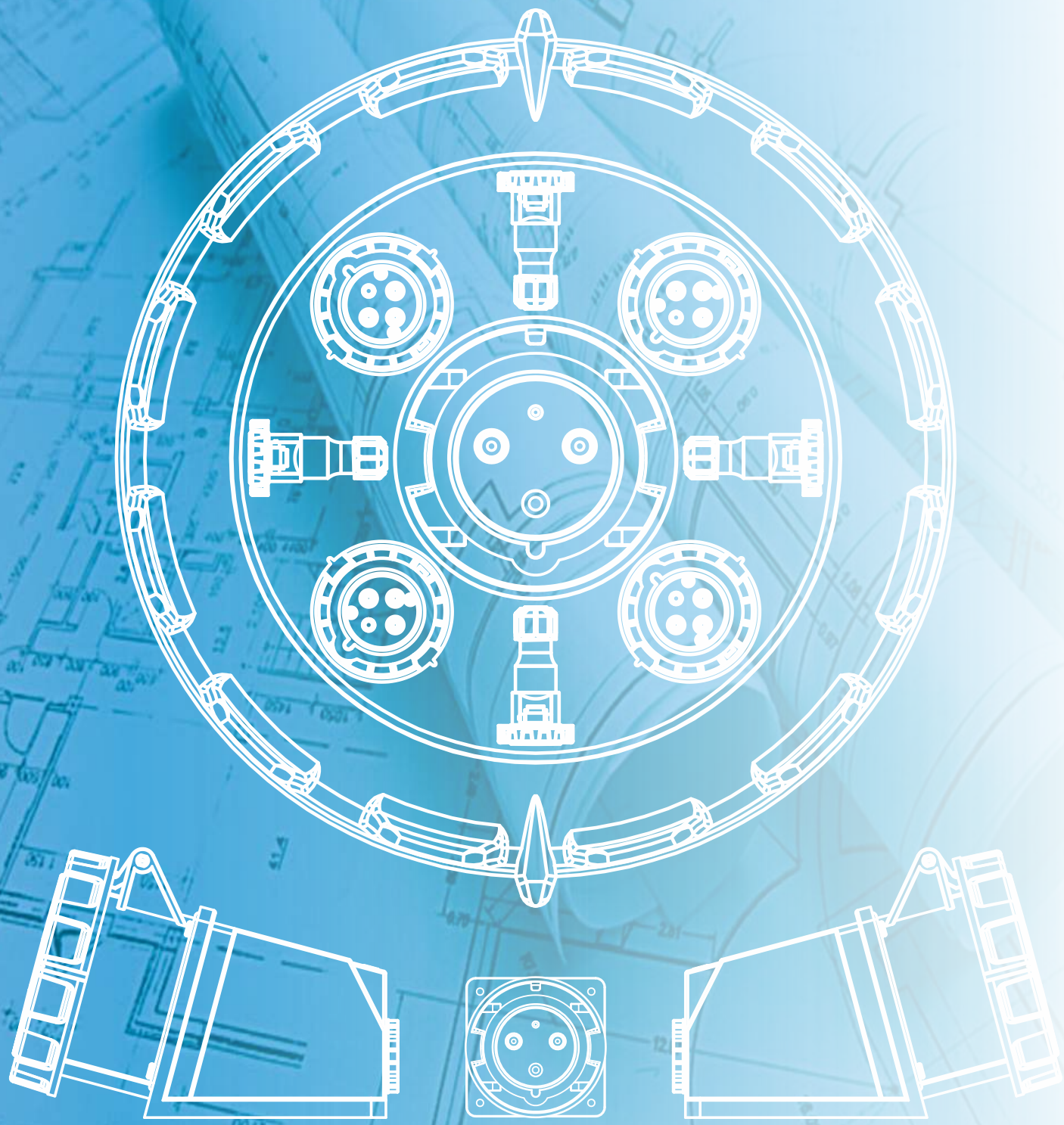
电流(A) Current (A)		16		32		
极数 Pole (P)		2	3	2	3	
尺寸 Dimension (mm)	a	75	75	75	75	
	b	75	75	75	75	
	c	53.5	53.5	53.5	53.5	
	d	60	60	60	60	
	e	60	60	60	60	
	f	4.2	4.2	4.2	4.2	
	g.	11	11	11	11	
	g.1	2	2	2	2	
	h	81	81	81	81	
	l	35	35	35	35	
	k	14.5	14.5	14.5	14.5	
导线横截面积从最小至最大 Conductor cross section (mm ²) Min.-max.		1.5	1.5	4	4	
		-2.5	-2.5	-6	-6	

其它颜色请来函询问 Other colors, please contact us freely
European / International standard: EN/IEC 60309-2

◆ 欧洲/国际标准EN/IEC 60309-2 www.kripal.com

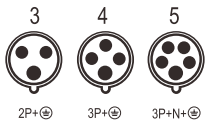
和谐系列

Hexie Series

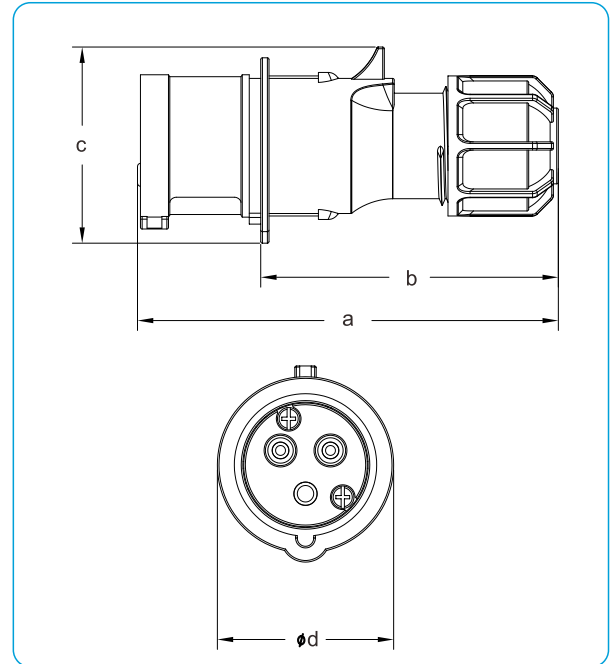


Hexie Series Plug

和谐系列插头



2P+⊕ 3P+⊕ 3P+N+⊕



Description

选型

电流(A) Current(A)	极数 Pole	110 V 50 a. 60 Hz			230 V 50 a. 60 Hz			400 V 50 a. 60 Hz			500 V 50 a. 60 Hz			>50-500V 100-300Hz			>50-500V a.300-500Hz		
		3P 4h	4P 4h	5P 4h	3P 6h	4P 9h	5P 9h	3P 9h	4P 6h	5P 6h	3P 7h	4P 7h	5P 7h	3P 10h	4P 10h	5P 10h	3P 2h	4P 2h	5P 2h
16	3	UKS3-A134-4			UKS3-A134-6			UKS3-A134-9			UKS3-A134-7								
16	4	UKS3-A144-4			UKS3-A144-9			UKS3-A144-6			UKS3-A144-7								
16	5	UKS3-A154-4			UKS3-A154-9			UKS3-A154-6			UKS3-A154-7								
32	3	UKS3-A234-4			UKS3-A234-6			UKS3-A234-9			UKS3-A234-7								
32	4	UKS3-A244-4			UKS3-A244-9			UKS3-A244-6			UKS3-A244-7								
32	5	UKS3-A254-4			UKS3-A254-9			UKS3-A254-6			UKS3-A254-7								

⚠ IP 44 CEE / IEC 插头，带螺钉接线端子，一体外壳结构

⚠ IP 44 CEE / IEC Plug: screwed terminals, shell of integrated structure

Parameter

参数

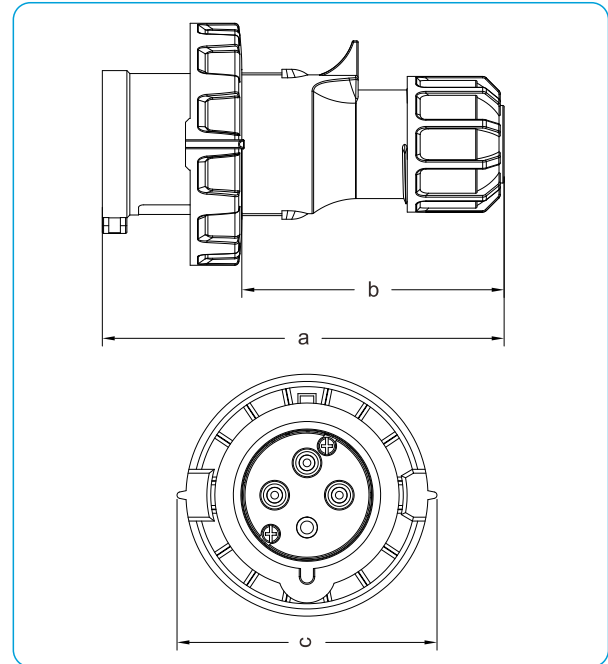
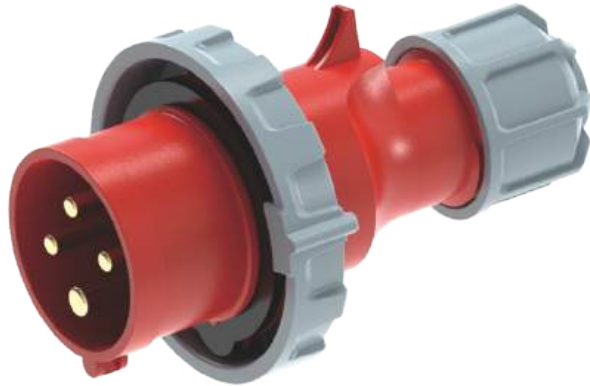
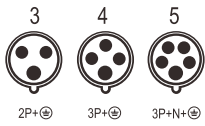
电流(A) Current (A)	16						32			
极数 Pole (P)	3	4	5	3	4	5				
尺寸 Dimension (mm)	a	128	132	138	155.5	155.5	161.5			
	b	90.5	95	101.5	110	110	116			
	c	59.5	68	75	81	81	89			
	d	53.5	60	67.5	70	70	77			
导线横截面积从最小至最大 Conductor cross section (mm ²) Min.-max.		1.5	1.5	1.5	2.5	2.5	2.5			
		-4	-4	-4	-10	-10	-10			

其它颜色请来函询问 Other colors, please contact us freely
European / International standard: EN/IEC 60309-2

◆ 欧洲/国际标准EN/IEC 60309-2 www.kripal.com

Hexie Series Plug

和谐系列插头



Description

选型

电流(A) Current(A)	极数 Pole	110 V 50 a. 60 Hz 3P 4P 5P 4h 4h 4h	230 V 50 a. 60 Hz 3P 4P 5P 6h 6h 9h	400 V 50 a. 60 Hz 3P 4P 5P 9h 6h 6h	500 V 50 a. 60 Hz 3P 4P 5P 7h 7h 7h	>50-500V 100-300Hz 3P 4P 5P 10h 10h 10h	>50-500V a.300-500Hz 3P 4P 2h 2h
16	3	UKS3-A136-4	UKS3-A136-6	UKS3-A136-9	UKS3-A136-7		
16	4	UKS3-A146-4	UKS3-A146-9	UKS3-A146-6	UKS3-A146-7		
16	5	UKS3-A156-4	UKS3-A156-9	UKS3-A156-6	UKS3-A156-7		
32	3	UKS3-A236-4	UKS3-A236-6	UKS3-A236-9	UKS3-A236-7		
32	4	UKS3-A246-4	UKS3-A246-9	UKS3-A246-6	UKS3-A246-7		
32	5	UKS3-A256-4	UKS3-A256-9	UKS3-A256-6	UKS3-A256-7		

▲ IP 67 CEE / IEC 插头，带外部电缆紧固装置及耐高温接触载体，插销表面镀镍

▲ IP 67 CEE / IEC Plug: external cable grip, highly heat resistant contact carrier, nickel plated contacts

Parameter

参数

电流(A) Current (A)	16			32			
极数 Pole (P)	3	4	5	3	4	5	
尺寸 Dimension (mm)	a	128	132	138	155.5	155.5	161.5
	b	83.5	88	95	101.5	101.5	107
	c	79	85	93	101	101	108
导线横截面积从最小至最大 Conductor cross section (mm ²) Min.-max.	1.5	1.5	1.5	2.5	2.5	2.5	
	-4	-4	-4	-10	-10	-10	

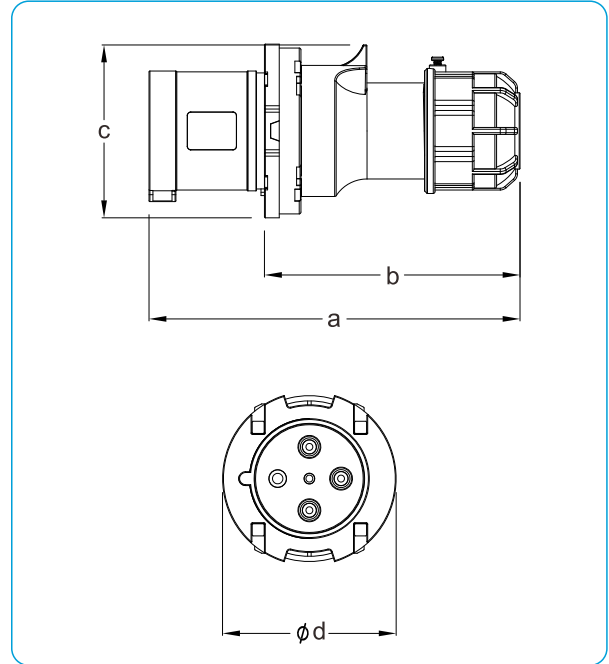
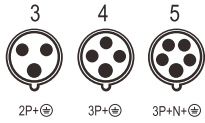
其它电压和频率的产品请来函询问 Other requirements, please contact us freely

German industrial standard: DIN VDE 0623, European / International standard: EN/IEC 60309-2
www.kripal.com ◆ 符合德国工业标准 DIN VDE 0623, 欧洲/国际标准 EN/IEC 60309-2

KRIPAL

Hexie Series Plug

和谐系列插头



Description

选型

电流(A) Current(A)	极数 Pole	110 V	230 V	400 V	500 V	>50-500V	>50-500V
		50 a. 60 Hz	50 a. 60 Hz	50 a. 60 Hz	50 a. 60 Hz	100-300Hz	a.300-500Hz
		3P 4h	3P 4P 5P 6h 9h 9h	3P 4P 5P 9h 6h 6h	3P 4P 5P 7h 7h 7h	3P 4P 5P 10h 10h 10h	3P 4P 2h 2h
63	3	UKS3-A334-4	UKS3-A334-6	UKS3-A334-9	UKS3-A334-7		
63	4	UKS3-A344-4	UKS3-A344-9	UKS3-A344-6	UKS3-A344-7		
63	5	UKS3-A354-4	UKS3-A354-9	UKS3-A354-6	UKS3-A354-7		

▲ IP 44 CEE / IEC 插头，带外部电缆紧固装置及耐高温接触载体，插销表面镀镍

▲ IP 44 CEE / IEC Plug: external cable grip, highly heat resistant contact carrier, nickel plated contacts

Parameter

参数

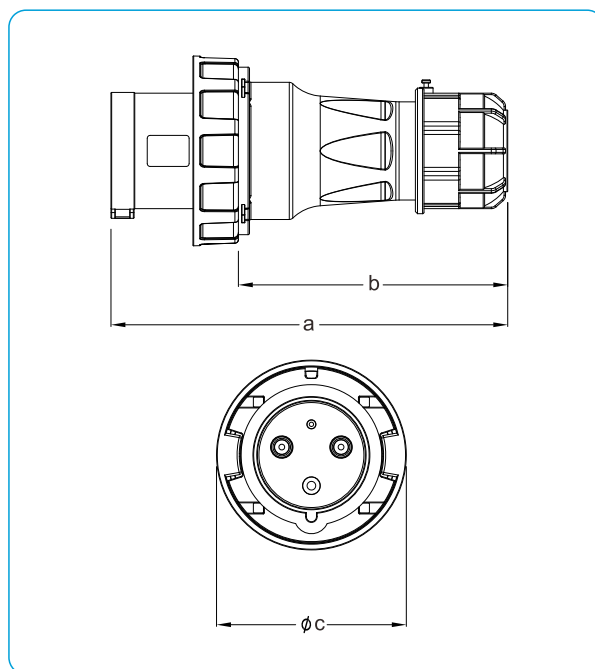
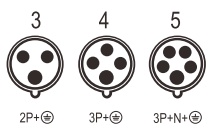
电流(A) Current (A)		63		
极数 Pole (P)		3	4	5
尺寸 Dimension (mm)	a	214	214	214
	b	148	148	148
	c	100	100	100
	d	100	100	100
导线横截面积从最小至最大 Conductor cross section (mm ²) Min.-max.		6	6	6
		- 25	- 25	- 25

其它颜色请来函询问 Other colors, please contact us freely
European / International standard: EN/IEC 60309-2

◆ 欧洲/国际标准EN/IEC 60309-2 www.kripal.com

Hexie Series Plug

和谐系列插头



Description

选型

电流(A) Current(A)	极数 Pole	110 V 50 a. 60 Hz 3P 4P 5P 4h 4h 4h	230 V 50 a. 60 Hz 3P 4P 5P 6h 3h 9h	400 V 50 a. 60 Hz 3P 4P 5P 9h 6h 6h	500 V 50 a. 60 Hz 3P 4P 5P 7h 7h 7h	>50-500V 100-300Hz 3P 4P 5P 10h 10h 10h	>50-500V a.300-500Hz 3P 4P 2h 2h
63	3	UKS3-A336-4	UKS3-A336-6	UKS3-A336-9	UKS3-A336-7		
63	4	UKS3-A346-4	UKS3-A346-9	UKS3-A346-6	UKS3-A346-7		
63	5	UKS3-A356-4	UKS3-A356-9	UKS3-A356-6	UKS3-A356-7		
125	3	UKS3-A436-4	UKS3-A436-6	UKS3-A436-9	UKS3-A436-7		
125	4	UKS3-A446-4	UKS3-A446-9	UKS3-A446-6	UKS3-A446-7		
125	5	UKS3-A456-4	UKS3-A456-9	UKS3-A456-6	UKS3-A556-7		

▲ IP 67 CEE / IEC 插头，带外部电缆紧固装置及耐高温接触载体，插销表面镀镍

▲ IP 67 CEE / IEC Plug: external cable grip, highly heat resistant contact carrier, nickel plated contacts

Parameter

参数

电流(A) Current (A)	63			125		
极数 Pole (P)	3	4	5	3	4	5
尺寸 Dimension (mm)	a	214	214	214	275	275
	b	132	132	132	186	186
	c	113	113	113	132	132
导线横截面积从最小至最大 Conductor cross section (mm ²) Min.-max.	6	6	6	25	25	25
	-25	-25	-25	-70	-70	-70

其它电压和频率的产品请来函询问 Other requirements, please contact us freely

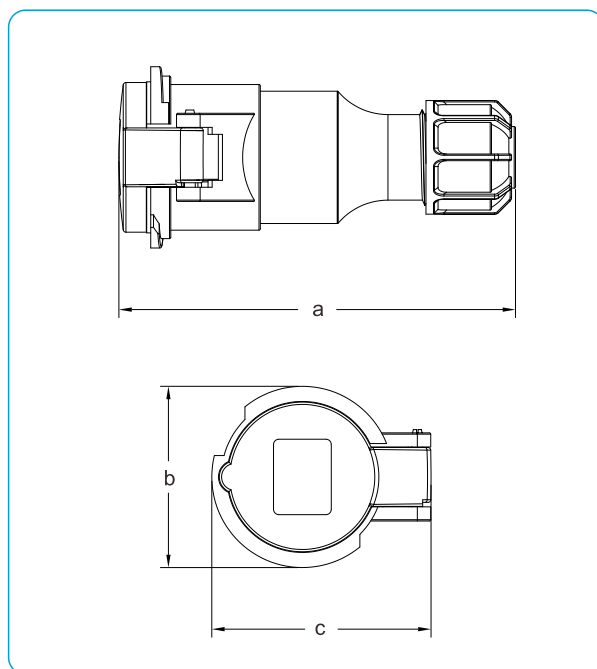
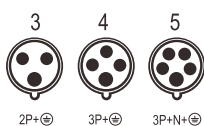
German industrial standard: DIN VDE 0623, European / Internationa standard: EN/IEC 60309-2

www.kripal.com ◆ 符合德国工业标准 DIN VDE 0623, 欧洲/国际标准EN/IEC 60309-2

KRIPAL

Hexie Series Connector

和谐系列连接器



Description

选型

电流(A) Current(A)	极数 Pole	110 V 50 a. 60 Hz 3P 4P 5P 4h 4h 4h	230 V 50 a. 60 Hz 3P 4P 5P 6h 9h 9h	400 V 50 a. 60 Hz 3P 4P 5P 9h 6h 6h	500 V 50 a. 60 Hz 3P 4P 5P 7h 7h 7h	>50-500V 100-300Hz 3P 4P 5P 10h 10h 10h	>50-500V a.300-500Hz 3P 4P 2h 2h
16	3	UKS3-C134-4	UKS3-C134-6	UKS3-C134-9	UKS3-C134-7		
16	4	UKS3-C144-4	UKS3-C144-9	UKS3-C144-6	UKS3-C144-7		
16	5	UKS3-C154-4	UKS3-C154-9	UKS3-C154-6	UKS3-C154-7		
32	3	UKS3-C234-4	UKS3-C234-6	UKS3-C234-9	UKS3-C234-7		
32	4	UKS3-C244-4	UKS3-C244-9	UKS3-C244-6	UKS3-C244-7		
32	5	UKS3-C254-4	UKS3-C254-9	UKS3-C254-6	UKS3-C254-7		

▲ IP 44 CEE / IEC 连接器，带螺钉接线端子，一体外壳结构

▲ IP 44 CEE / IEC Connector: screwed terminals, shell of integrated structure

Parameter

参数

电流(A) Current (A)	16			32						
极数 Pole (P)	3	4	5	3	4	5				
尺寸 Dimension (mm)	a	142	150	155	173.5	173.5	178.5			
	b	60	68	76	82	82	89			
	c	75	82	89	95	95	101.5			
导线横截面积从最小至最大 Conductor cross section (mm ²) Min.-max.		1.5	1.5	1.5	2.5	2.5	2.5			
		-4	-4	-4	-10	-10	-10			

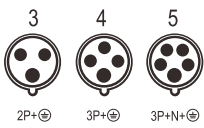
其它电压和频率的产品请来函询问 Other requirements, please contact us freely

German industrial standard: DIN VDE 0623, European / Internationa standard: EN/IEC 60309-2

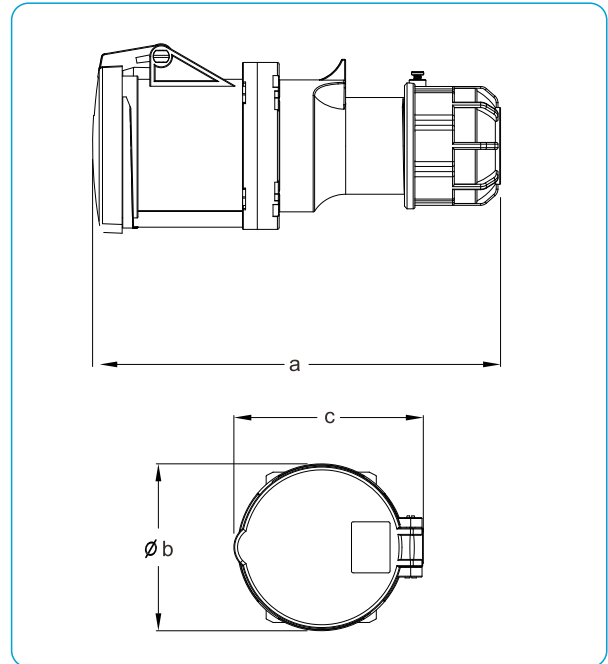
◆ 符合德国工业标准 DIN VDE 0623, 欧洲/国际标准EN/IEC 60309-2 www.kripal.com

Hexie Series Connector

和谐系列连接器



2P+⊕ 3P+⊕ 3P+N+⊕



Description

选型

电流(A) Current(A)	极数 Pole	110 V 50 a. 60 Hz 3P 4P 5P 4h 4h 4h	230 V 50 a. 60 Hz 3P 4P 5P 6h 9h 9h	400 V 50 a. 60 Hz 3P 4P 5P 9h 6h 6h	500 V 50 a. 60 Hz 3P 4P 5P 7h 7h 7h	>50-500V 100-300Hz 3P 4P 5P 10h 10h 10h	>50-500V a.300-500Hz 3P 4P 2h 2h
63	3	UKS3-C334-4	UKS3-C334-6	UKS3-C334-9	UKS3-C334-7		
63	4	UKS3-C344-4	UKS3-C344-9	UKS3-C344-6	UKS3-C344-7		
63	5	UKS3-C354-4	UKS3-C354-9	UKS3-C354-6	UKS3-C354-7		

▲ IP 44 CEE / IEC 连接器，带螺钉接线端子，一体外壳结构

▲ IP 44 CEE / IEC Connector: screwed terminals, shell of integrated structure

Parameter

参数

电流(A) Current (A)	63			
极数 Pole (P)	3	4	5	
尺寸 Dimension (mm)	a	234	234	234
	b	96	96	96
	c	109	109	109
导线横截面积从最小至最大 Conductor cross section (mm ²) Min.-max.		1.5	1.5	1.5
		- 4	- 4	- 4

其它电压的产品请来函询问 Other requirements, please contact us freely

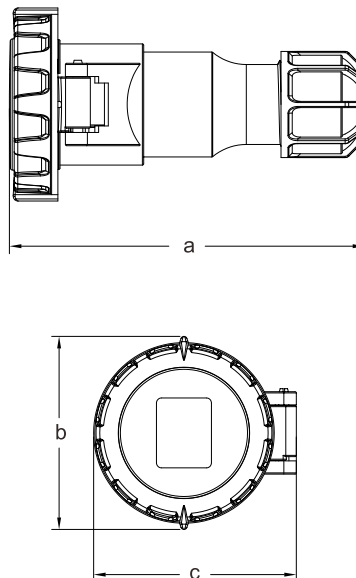
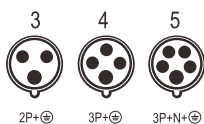
German industrial standard: Grounded at 3h, DIN VDE 0623, European / Internationa standard: EN/IEC 60309-2

www.kripal.com ◆ 接地在3时位置，符合德国工业标准 DIN VDE 0623，欧洲/国际标准EN/IEC 60309-2

KRIPAL

Hexie Series Connector

和谐系列连接器



Description

选型

电流(A) Current(A)	极数 Pole	110 V 50 a. 60 Hz 3P 4P 5P 4h 4h 4h	230 V 50 a. 60 Hz 3P 4P 5P 6h 9h 9h	400 V 50 a. 60 Hz 3P 4P 5P 9h 6h 6h	500 V 50 a. 60 Hz 3P 4P 5P 7h 7h 7h	>50-500V 100-300Hz 3P 4P 5P 10h 10h 10h	>50-500V a.300-500Hz 3P 4P 2h 2h
16	3	UKS3-C136-4	UKS3-C136-6	UKS3-C136-9	UKS3-C136-7		
16	4	UKS3-C146-4	UKS3-C146-9	UKS3-C146-6	UKS3-C146-7		
16	5	UKS3-C156-4	UKS3-C156-9	UKS3-C156-6	UKS3-C156-7		
32	3	UKS3-C236-4	UKS3-C236-6	UKS3-C236-9	UKS3-C236-7		
32	4	UKS3-C246-4	UKS3-C246-9	UKS3-C246-6	UKS3-C246-7		
32	5	UKS3-C256-4	UKS3-C256-9	UKS3-C256-6	UKS3-C256-7		

▲ IP 67 CEE / IEC 连接器，软接触工艺，带外部电缆紧固装置及耐高温接触载体

▲ IP 67 CEE / IEC Connector: soft-touch process, external cable grip, highly heat resistant contact carrier

Parameter

参数

电流(A) Current (A)	16			32			
极数 Pole (P)	3	4	5	3	4	5	
尺寸 Dimension (mm)	a	143	150	156	174	174	179
	b	78	83	92	98	98	105
	c	81.5	87	94.5	101	101	107
导线横截面积从最小至最大 Conductor cross section (mm ²) Min.-max.	1.5	1.5	1.5	2.5	2.5	2.5	
	-4	-4	-4	-10	-10	-10	

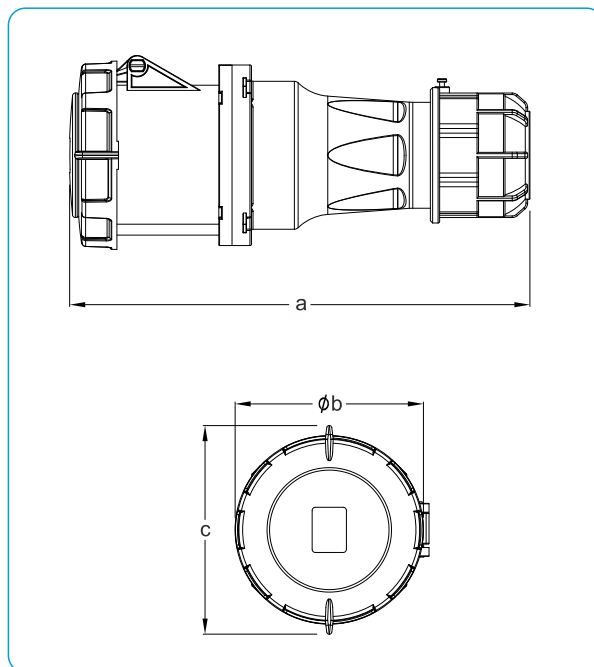
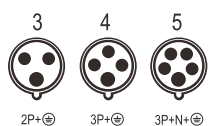
其它电压和频率的产品请来函询问 Other requirements, please contact us freely

German industrial standard: DIN VDE 0623, European / International standard: EN/IEC 60309-2

◆ 符合德国工业标准 DIN VDE 0623, 欧洲/国际标准 EN/IEC 60309-2 www.kripal.com

Hexie Series Wall Mounted Socket

和谐系列连接器



Description

选型

电流(A) Current(A)	极数 Pole	110 V	230 V	400 V	500 V	>50-500V	>50-500V
		50 a. 60 Hz	50 a. 60 Hz	50 a. 60 Hz	50 a. 60 Hz	100-300Hz	a.300-500Hz
		3P 4h	3P 6h	3P 9h	3P 7h	3P 10h	3P 2h
		4P 4h	4P 9h	4P 6h	4P 7h	4P 10h	4P 2h
		5P 4h	5P 9h	5P 6h	5P 7h	5P 10h	5P 2h
63	3	UKS3-C336-4	UKS3-C336-6	UKS3-C336-9	UKS3-C336-7		
63	4	UKS3-C346-4	UKS3-C346-9	UKS3-C346-6	UKS3-C346-7		
63	5	UKS3-C356-4	UKS3-C356-9	UKS3-C356-6	UKS3-C356-7		
125	3	UKS3-C436-4	UKS3-C436-6	UKS3-C436-9	UKS3-C436-7		
125	4	UKS3-C446-4	UKS3-C446-9	UKS3-C446-6	UKS3-C446-7		
125	5	UKS3-C456-4	UKS3-C456-9	UKS3-C456-6	UKS3-C456-7		

▲ IP 67 CEE / IEC 连接器，软接触工艺，带外部电缆紧固装置及耐高温接触载体

▲ IP 67 CEE / IEC Connector: soft-touch process, external cable grip, highly heat resistant contact carrier

Parameter

参数

电流(A) Current (A)	63			125		
	3	4	5	3	4	5
极数 Pole (P)						
尺寸 Dimension (mm)	a	237	237	295	295	295
	b	110	110	121	121	121
	c	118	118	134	134	134
导线横截面积从最小至最大 Conductor cross section (mm ²) Min.-max.		6	6	25	25	25
		-25	-25	-25	-70	-70

其它电压的产品请来函询问 Other requirements, please contact us freely

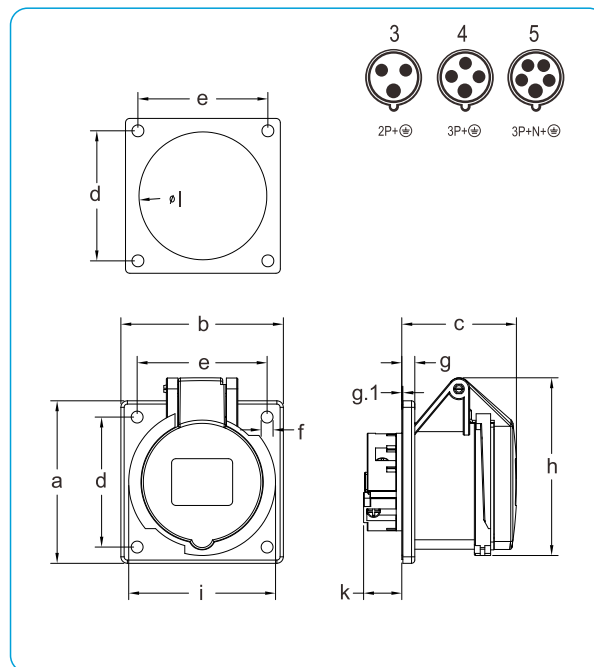
German industrial standard: Grounded at 3h, DIN VDE 0623, European / Internationa standard: EN/IEC 60309-2

www.kripal.com ◆ 接地在3时位置，符合德国工业标准 DIN VDE 0623，欧洲/国际标准EN/IEC 60309-2

KRIPAL

Hexie Series Panel Mounted Socket

和谐系列附加插座



Description

选型

电流(A) Current(A)	极数 Pole	110 V 50 a. 60 Hz 3P 4P 5P 4h 4h 4h	230 V 50 a. 60 Hz 3P 4P 5P 6h 9h 9h	400 V 50 a. 60 Hz 3P 4P 5P 9h 6h 6h	500 V 50 a. 60 Hz 3P 4P 5P 7h 7h 7h	>50-500V 100-300Hz 3P 4P 5P 10h 10h 10h	>50-500V a.300-500Hz 3P 4P 2h 2h
16	3	UKS3-B134-4	UKS3-B134-6	UKS3-B134-9	UKS3-B134-7		
16	4	UKS3-B144-4	UKS3-B144-9	UKS3-B144-6	UKS3-B144-7		
16	5	UKS3-B154-4	UKS3-B154-9	UKS3-B154-6	UKS3-B154-7		
32	3	UKS3-B234-4	UKS3-B234-6	UKS3-C234-9	UKS3-B234-7		
32	4	UKS3-B244-4	UKS3-B244-9	UKS3-B244-6	UKS3-B244-7		
32	5	UKS3-B254-4	UKS3-B254-9	UKS3-B254-6	UKS3-B254-7		

▲ IP 44 法兰尺寸 75X75mm ， 直插式，附加插座

▲ IP 44 Panel mounted socket: size of flange 75X75mm ， straight

Parameter

参数

电流(A) Current (A)		16			32			
极数 Pole (P)		3	4	5	3	4	5	
尺寸 Dimension (mm)	a	75	75	75	75	75	75	
	b	75	75	75	75	75	75	
	c	53.5	53.5	53.5	63.5	63.5	63.5	
	d	60	60	60	60	60	60	
	e	60	60	60	60	60	60	
	f	5.5	5.5	5.5	5.5	5.5	5.5	
	g	6	6	6	6	6	6	
	g.1	0.5	0.5	0.5	0.5	0.5	0.5	
	h	75	82	89	95	95	101.5	
	i	60	68	76	82	82	89	
	k	17.5	17.5	17.5	23	23	23	
l	59	59	59	59	59	59		
导线横截面积从最小至最大 Conductor cross section (mm ²) Min.-max.		1.5	1.5	1.5	2.5	2.5	2.5	
		-4	-4	-4	-10	-10	-10	

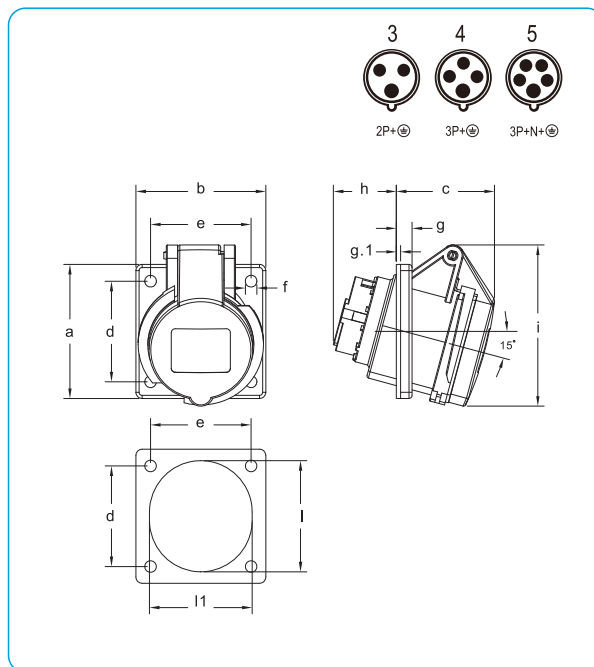
其它电压和频率的产品请来函询问 Other requirements, please contact us freely

German industrial standard: DIN VDE 0623, European / International standard: EN/IEC 60309-2

◆ 符合德国工业标准 DIN VDE 0623, 欧洲/国际标准 EN/IEC 60309-2 www.kripal.com

Hexie Series Panel Mounted Socket

和谐系列附加插座



Description

选型

电流(A) Current(A)	极数 Pole	110 V 50 a. 60 Hz 3P 4P 5P 4h 4h 4h	230 V 50 a. 60 Hz 3P 4P 5P 6h 9h 9h	400 V 50 a. 60 Hz 3P 4P 5P 9h 6h 6h	500 V 50 a. 60 Hz 3P 4P 5P 7h 7h 7h	>50-500V 100-300Hz 3P 4P 5P 10h 10h 10h	>50-500V a.300-500Hz 3P 4P 2h 2h
16	3	UKS3-B1341-4	UKS3-B1341-6	UKS3-B1341-9	UKS3-B1341-7		
16	4	UKS3-B1441-4	UKS3-B1441-9	UKS3-B1441-6	UKS3-B1441-7		
16	5	UKS3-B1541-4	UKS3-B1541-9	UKS3-B1541-6	UKS3-B1541-7		
32	3	UKS3-B2341-4	UKS3-B2341-6	UKS3-B2341-9	UKS3-B2341-7		
32	4	UKS3-B2441-4	UKS3-B2441-9	UKS3-B2441-6	UKS3-B2441-7		
32	5	UKS3-B2541-4	UKS3-B2541-9	UKS3-B2541-6	UKS3-B2541-7		

▲ IP 44 内向斜插15°，附加插座，法兰尺寸：64X62mm (3P16A)/81X76mm (4P/5P 16A)/90X80mm (32A)

▲ IP 44 Inward oblique insertion 15°, Panel mounted socket, Size of Flange: 64X62mm (3P16A)/81X76mm (4P/5P 16A)/90X80mm (32A)

Parameter

参数

电流(A) Current (A)		16			32			
极数 Pole (P)		3	4	5	3	4	5	
尺寸 Dimension (mm)	a	64	81	81	90	90	90	
	b	62	76	76	80	80	80	
	c	47	48	49	55	55	56	
	d	48	60	60	73	73	73	
	e	48	60	60	60	60	60	
	f	5.5	5.5	5.5	5.5	5.5	5.5	
	g	7.5	7.5	7.5	7.5	7.5	7.5	
	g.1	2	2	2	2	2	2	
	h	31	31.5	32	42	42	42	
	i	77	84	91	97	97	103	
	l	53	68	68	79	79	79	
l1	49	62	62	70	70	70		
导线横截面积从最小至最大 Conductor cross section (mm ²) Min.-max.		1.5	1.5	1.5	2.5	2.5	2.5	
		-4	-4	-4	-10	-10	-10	

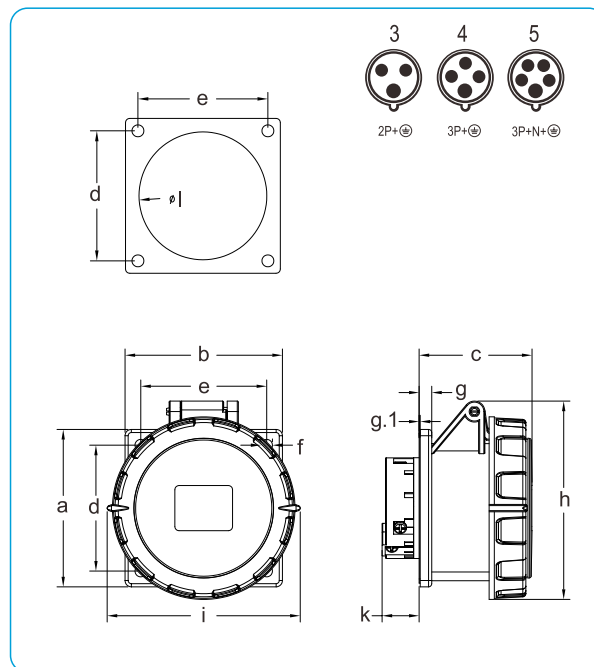
其它电压和频率的产品请来函询问 Other requirements, please contact us freely

German industrial standard: DIN VDE 0623, European / International standard: EN/IEC 60309-2

◆ 符合德国工业标准 DIN VDE 0623, 欧洲/国际标准 EN/IEC 60309-2 www.kripal.com

Hexie Series Panel Mounted Socket

和谐系列附加插座



Description

选型

电流(A) Current(A)	极数 Pole	110 V 50 a. 60 Hz 3P 4P 5P 4h 4h 4h	230 V 50 a. 60 Hz 3P 4P 5P 6h 9h 9h	400 V 50 a. 60 Hz 3P 4P 5P 9h 6h 6h	500 V 50 a. 60 Hz 3P 4P 5P 7h 7h 7h	>50-500V 100-300Hz 3P 4P 5P 10h 10h 10h	>50-500V a.300-500Hz 3P 4P 2h 2h
16	3	UKS3-B136-4	UKS3-B136-6	UKS3-B136-9	UKS3-B136-7		
16	4	UKS3-B146-4	UKS3-B146-9	UKS3-B146-6	UKS3-B146-7		
16	5	UKS3-B156-4	UKS3-B156-9	UKS3-B156-6	UKS3-B156-7		
32	3	UKS3-B236-4	UKS3-B236-6	UKS3-B236-9	UKS3-B236-7		
32	4	UKS3-B246-4	UKS3-B246-9	UKS3-B246-6	UKS3-B246-7		
32	5	UKS3-B256-4	UKS3-B256-9	UKS3-B256-6	UKS3-B256-7		

▲ IP 67 笼式弹簧接触工艺，法兰尺寸 75X75 mm，直插式，附加插座

▲ IP 67 Panel mounted socket: cage-clamp touch process, size of flange 75X75 mm, straight

Parameter

参数

电流(A) Current (A)		16			32					
极数 Pole (P)		3	4	5	3	4	5			
尺寸 Dimension (mm)	a	75	75	75	75	75	75			
	b	75	75	75	75	75	75			
	c	54.5	54.5	54.5	64	64	64			
	d	60	60	60	60	60	60			
	e	60	60	60	60	60	60			
	f	5.5	5.5	5.5	5.5	5.5	5.5			
	g	6	6	6	6	6	6			
	g.1	0.5	0.5	0.5	0.5	0.5	0.5			
	h	82.5	87	94.5	101	101	107			
	i	78	83	92	98	98	105			
	k	17.5	17.5	17.5	23	23	23			
l	59	59	59	59	59	59				
导线横截面积从最小至最大 Conductor cross section (mm ²) Min.-max.		1.5	1.5	1.5	2.5	2.5	2.5			
		-4	-4	-4	-10	-10	-10			

其它电压的产品请来函询问 Other requirements, please contact us freely

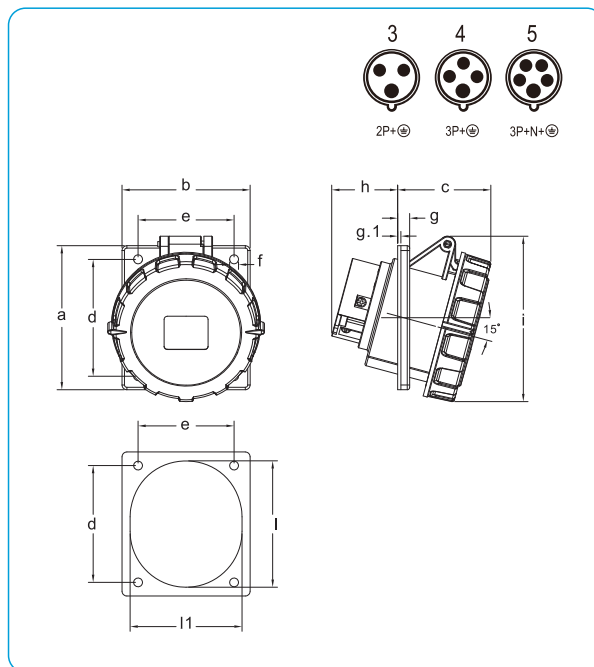
German industrial standard: Grounded at 3h, DIN VDE 0623, European / Internationa standard: EN/IEC 60309-2

www.kripal.com ◆ 接地在3时位置，符合德国工业标准 DIN VDE 0623，欧洲/国际标准EN/IEC 60309-2

KRIPAL

Hexie Series Panel Mounted Socket

和谐系列附加插座



Description

选型

电流(A) Current(A)	极数 Pole	110 V 50 a. 60 Hz 3P 4P 5P 4h 4h 4h	230 V 50 a. 60 Hz 3P 4P 5P 6h 9h 9h	400 V 50 a. 60 Hz 3P 4P 5P 9h 6h 6h	500 V 50 a. 60 Hz 3P 4P 5P 7h 7h 7h	>50-500V 100-300Hz 3P 4P 5P 10h 10h 10h	>50-500V a.300-500Hz 3P 4P 2h 2h
16	3	UKS3-B1361-4	UKS3-B1361-6	UKS3-B1361-9	UKS3-B1361-7		
16	4	UKS3-B1461-4	UKS3-B1461-9	UKS3-B1461-6	UKS3-B1461-7		
16	5	UKS3-B1561-4	UKS3-B1561-9	UKS3-B1561-6	UKS3-B1561-7		
32	3	UKS3-B2361-4	UKS3-B2361-6	UKS3-B2361-9	UKS3-B2361-7		
32	4	UKS3-B2461-4	UKS3-B2461-9	UKS3-B2461-6	UKS3-B2461-7		
32	5	UKS3-B2561-4	UKS3-B2561-9	UKS3-B2561-6	UKS3-B2561-7		

▲ IP 67 内向斜插15°，附加插座，法兰尺寸：64X62mm (3P16A)/81X76mm (4P/5P 16A)/90X80mm (32A)

▲ IP 67 Inward oblique insertion 15°, Panel mounted socket, Size of Flange: 64X62mm (3P16A)/81X76mm (4P/5P 16A)/90X80mm (32A)

Parameter

参数

电流(A) Current (A)	16			32			
极数 Pole (P)	3	4	5	3	4	5	
尺寸 Dimension (mm)	a	64	81	81	90	90	90
	b	62	76	76	80	80	80
	c	47	48	49	59	59	60
	d	48	60	60	73	73	73
	e	48	60	60	60	60	60
	f	5.5	5.5	5.5	5.5	5.5	5.5
	g	7.5	7.5	7.5	7.5	7.5	7.5
	g.1	2	2	2	2	2	2
	h	31	31.5	32	42	42	42
	i	83	90	97	104	104	110
	l	53	68	68	79	79	79
	l1	49	62	62	70	70	70
导线横截面积从最小至最大 Conductor cross section (mm ²) Min.-max.		1.5	1.5	1.5	2.5	2.5	2.5
		-4	-4	-4	-10	-10	-10

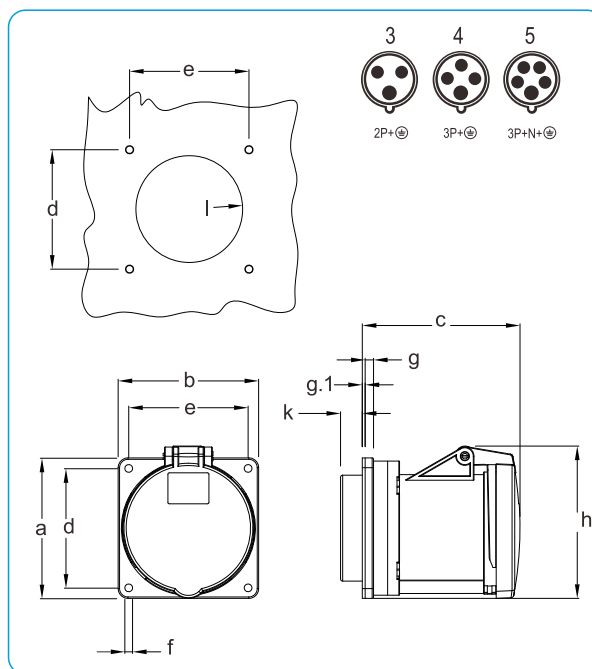
其它电压和频率的产品请来函询问 Other requirements, please contact us freely

German industrial standard: DIN VDE 0623, European / International standard: EN/IEC 60309-2

◆ 符合德国工业标准 DIN VDE 0623, 欧洲/国际标准 EN/IEC 60309-2 www.kripal.com

Hexie Series Panel Mounted Socket

和谐系列附加插座



Description

选型

电流(A) Current(A)	极数 Pole	110 V 50 a. 60 Hz 3P 4P 5P 4h 4h 4h	230 V 50 a. 60 Hz 3P 4P 5P 6h 9h 9h	400 V 50 a. 60 Hz 3P 4P 5P 9h 6h 6h	500 V 50 a. 60 Hz 3P 4P 5P 7h 7h 7h	>50-500V 100-300Hz 3P 4P 5P 10h 10h 10h	>50-500V a.300-500Hz 3P 4P 2h 2h
63	3	UKS3-B334-4	UKS3-B334-6	UKS3-B334-9	UKS3-B334-7		
63	4	UKS3-B344-4	UKS3-B344-9	UKS3-B344-6	UKS3-B344-7		
63	5	UKS3-B354-4	UKS3-B354-9	UKS3-B354-6	UKS3-B354-7		

▲ IP 44 软接触工艺，法兰尺寸100X100mm，直插式，附加插座

▲ IP 44 Panel mounted socket: sofe-touch process, size of flange 100x100mm, straight

Parameter

参数

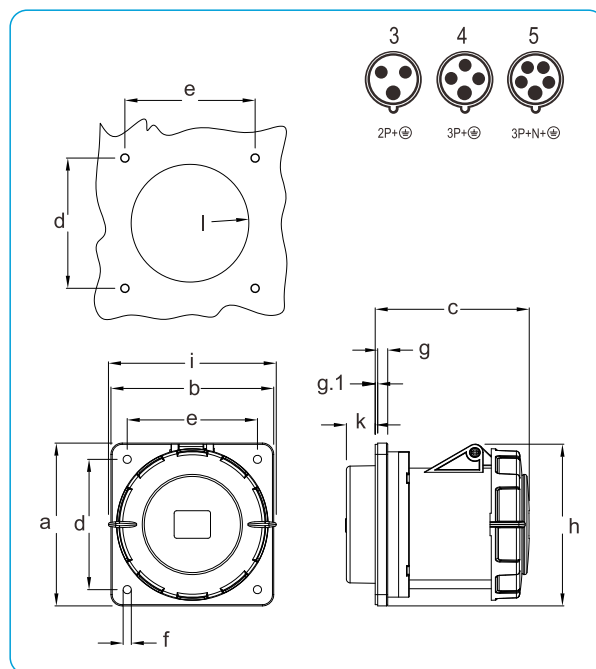
电流(A) Current (A)		63		
极数 Pole (P)		3	4	5
尺寸 Dimension (mm)	a	100	100	100
	b	100	100	100
	c	116	116	116
	d	85	85	85
	e	85	85	85
	f	5.5	5.5	5.5
	g	6	6	6
	g.1	2	2	2
	h	113	113	113
	k	15.5	15.5	15.5
l	76	76	76	
导线横截面积从最小至最大 Conductor cross section (mm ²) Min.-max.		6 -25	6 -25	6 -25

其它颜色请来函询问 Other colors, please contact us freely
European / Internationa standard: EN/IEC 60309-2

◆ 欧洲/国际标准EN/IEC 60309-2 www.kripal.com

Hexie Series Panel Mounted Socket

和谐系列附加插座



Description

选型

电流(A) Current(A)	极数 Pole	110 V 50 a. 60 Hz 3P 4P 5P 4h 4h 4h	230 V 50 a. 60 Hz 3P 4P 5P 6h 9h 9h	400 V 50 a. 60 Hz 3P 4P 5P 9h 6h 6h	500 V 50 a. 60 Hz 3P 4P 5P 7h 7h 7h	>50-500V 100-300Hz 3P 4P 5P 10h 10h 10h	>50-500V a.300-500Hz 3P 4P 2h 2h
63	3	UKS3-B336-4	UKS3-B336-6	UKS3-B336-9	UKS3-B336-7		
63	4	UKS3-B346-4	UKS3-B346-9	UKS3-B346-6	UKS3-B346-7		
63	5	UKS3-B356-4	UKS3-B356-9	UKS3-B356-6	UKS3-B356-7		

▲ IP 67 软接触工艺，法兰尺寸107X100mm，直插式，附加插座

▲ IP 67 Panel mounted socket: sofe-touch process, size of flange 107x100mm, straight

125	3	UKS3-B436-4	UKS3-B436-6	UKS3-B436-9	UKS3-B436-7		
125	4	UKS3-B446-4	UKS3-B446-9	UKS3-B446-6	UKS3-B446-7		
125	5	UKS3-B456-4	UKS3-B456-9	UKS3-B456-6	UKS3-B456-7		

▲ IP 67 笼式弹簧接触工艺，法兰尺寸100X100mm，直插式，附加插座

▲ IP 67 Panel mounted socket: cage-clamp touch process, size of flange 100X100mm, straight

Parameter

参数

电流(A) Current (A)		63			125			
极数 Pole (P)		3	4	5	3	4	5	
尺寸 Dimension (mm)	a	100	100	100	130	130	130	
	b	100	100	100	130	130	130	
	c	116	116	116	123	123	123	
	d	85	85	85	104	104	104	
	e	85	85	85	104	104	104	
	f	5.5	5.5	5.5	6.5	6.5	6.5	
	g	6	6	6	8	8	8	
	g.1	2	2	2	2	2	2	
	h	113	113	113	129	129	129	
	i	118	118	118	134	134	134	
	k	15.5	15.5	15.5	23	23	23	
l	76	76	76	94	94	94		
导线横截面积从最小至最大 Conductor cross section(mm ²) Min.-max.		6	6	6	6	6	6	
		-25	-25	-25	-25	-25	-25	

其它电压的产品请来函询问 Other requirements, please contact us freely

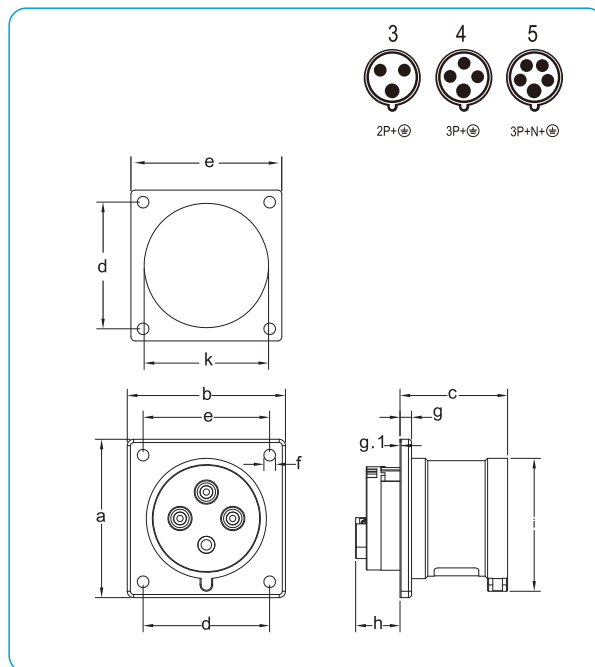
German industrial standard: Grounded at 3h, DIN VDE 0623, European / Internationa standard: EN/IEC 60309-2

www.kripal.com ◆ 接地在3时位置，符合德国工业标准 DIN VDE 0623，欧洲/国际标准EN/IEC 60309-2

KRIPAL

Hexie Series Panel Mounted Plug

和谐系列附加装置插头



Description

选型

电流(A) Current(A)	极数 Pole	110 V 50 a. 60 Hz			230 V 50 a. 60 Hz			400 V 50 a. 60 Hz			500 V 50 a. 60 Hz			>50-500V 100-300Hz			>50-500V a.300-500Hz		
		3P 4h	4P 4h	5P 4h	3P 6h	4P 9h	5P 9h	3P 9h	4P 6h	5P 6h	3P 7h	4P 7h	5P 7h	3P 10h	4P 10h	5P 10h	3P 2h	4P 2h	
16	3	UKS3-E134-4			UKS3-E134-6			UKS3-E134-9			UKS3-E134-7								
16	4	UKS3-E144-4			UKS3-E144-9			UKS3-E144-6			UKS3-E144-7								
16	5	UKS3-E154-4			UKS3-E154-9			UKS3-E154-6			UKS3-E154-7								
32	3	UKS3-E234-4			UKS3-E234-6			UKS3-E234-9			UKS3-E234-7								
32	4	UKS3-E244-4			UKS3-E244-9			UKS3-E244-6			UKS3-E244-7								
32	5	UKS3-E254-4			UKS3-E254-9			UKS3-E254-6			UKS3-E254-7								

▲ IP 44 CEE / IEC 附加装置插头，耐高温接触载体，插销表面镀镍

▲ IP 44 CEE / IEC Panel mounted plug: highly heat resistant contact carrier, nickel plated contacts

Parameter

参数

电流(A) Current (A)		16			32			
极数 Pole (P)		3	4	5	3	4	5	
尺寸 Dimension (mm)	a	75	75	75	75	75	75	
	b	75	75	75	75	75	75	
	c	42	42	42	51	51	51	
	d	60	60	60	60	60	60	
	e	60	60	60	60	60	60	
	f	5.5	5.5	5.5	5.5	5.5	5.5	
	g	5.5	5.5	5.5	5.5	5.5	5.5	
	g.1	0.5	0.5	0.5	0.5	0.5	0.5	
	h	20	20	20	21	21	21	
	i	46.8	53.5	60.7	63	63	69.5	
	k	59	59	59	59	59	59	
导线横截面积从最小至最大 Conductor cross section(mm ²) Min.-max.		1.5	1.5	1.5	2.5	2.5	2.5	
		-4	-4	-4	-10	-10	-10	

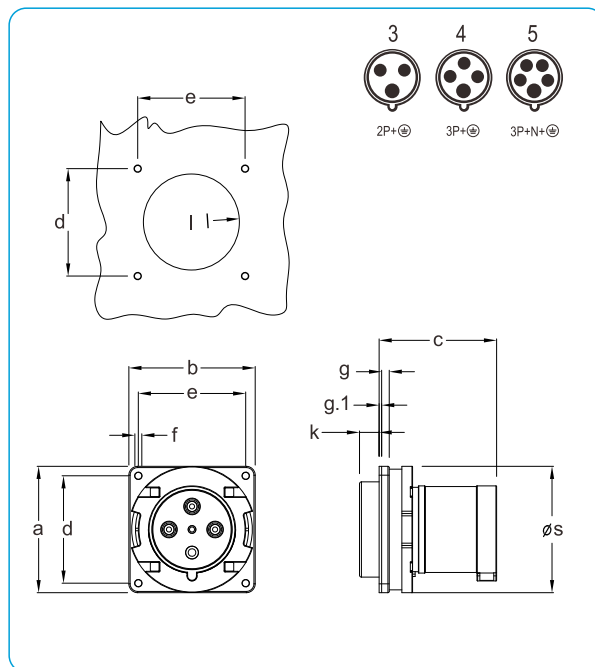
其它电压和频率的产品请来函询问 Other requirements, please contact us freely

German industrial standard: DIN VDE 0623, European / International standard: EN/IEC 60309-2

◆ 符合德国工业标准 DIN VDE 0623, 欧洲/国际标准 EN/IEC 60309-2 www.kripal.com

Hexie Series Panel Mounted Plug

和谐系列附加装置插头



Description

选型

电流(A) Current(A)	极数 Pole	110 V 50 a. 60 Hz 3P 4P 5P 4h 4h 4h	230 V 50 a. 60 Hz 3P 4P 5P 6h 9h 9h	400 V 50 a. 60 Hz 3P 4P 5P 9h 6h 6h	500 V 50 a. 60 Hz 3P 4P 5P 7h 7h 7h	>50-500V 100-300Hz 3P 4P 5P 10h 10h 10h	>50-500V a.300-500Hz 3P 4P 2h 2h
63 63 63	3 4 5	UKS3-E334-4 UKS3-E344-4 UKS3-E354-4	UKS3-E334-6 UKS3-E344-9 UKS3-E354-9	UKS3-E334-9 UKS3-E344-6 UKS3-E354-6	UKS3-E334-7 UKS3-E344-7 UKS3-E354-7		

▲ IP 44 CEE / IEC 附加装置插头，耐高温接触载体，插销表面镀镍

▲ IP 44 CEE / IEC Panel mounted plug: highly heat resistant contact carrier, nickel plated contacts

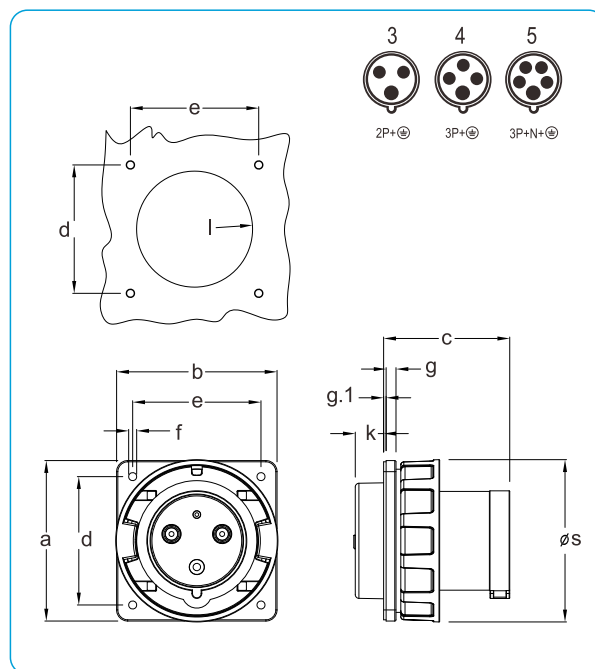
Parameter

参数

电流(A) Current (A)		63		
极数 Pole (P)		3	4	5
尺寸 Dimension (mm)	a	100	100	100
	b	100	100	100
	c	93	93	93
	d	85	85	85
	e	85	85	85
	f	5.5	5.5	5.5
	g	6	6	6
	g.1	2	2	2
	k	15.5	15.5	15.5
	l	76	76	76
s	100	100	100	
导线横截面积从最小至最大 Conductor cross section (mm ²) Min.-max.		6	6	6
		-25	-25	-25

Hexie Series Panel Mounted Plug

和谐系列附加装置插头



Description

选型

电流(A) Current(A)	极数 Pole	110 V 50 a. 60 Hz 3P 4P 5P 4h 4h 4h	230 V 50 a. 60 Hz 3P 4P 5P 6h 9h 9h	400 V 50 a. 60 Hz 3P 4P 5P 9h 6h 6h	500 V 50 a. 60 Hz 3P 4P 5P 7h 7h 7h	>50-500V 100-300Hz 3P 4P 5P 10h 10h 10h	>50-500V a.300-500Hz 3P 4P 2h 2h
63	3	UKS3-E336-4	UKS3-E336-6	UKS3-E336-9	UKS3-E336-7		
63	4	UKS3-E346-4	UKS3-E346-9	UKS3-E346-6	UKS3-E346-7		
63	5	UKS3-E356-4	UKS3-E356-9	UKS3-E356-6	UKS3-E356-7		
125	3	UKS3-E436-4	UKS3-E436-6	UKS3-E436-9	UKS3-E436-7		
125	4	UKS3-E446-4	UKS3-E446-9	UKS3-E446-6	UKS3-E446-7		
125	5	UKS3-E456-4	UKS3-E456-9	UKS3-E456-6	UKS3-E456-7		

▲ IP 67 CEE / IEC 附加装置插头，耐高温接触载体，插销表面镀镍

▲ IP 67 CEE / IEC Panel mounted plug: highly heat resistant contact carrier, nickel plated contacts

Parameter

参数

电流(A) Current (A)		63			125			
极数 Pole (P)		3	4	5	3	4	5	
尺寸 Dimension (mm)	a	100	100	100	130	130	130	
	b	100	100	100	130	130	130	
	c	93	93	93	102	102	102	
	d	85	85	85	104	104	104	
	e	85	85	85	104	104	104	
	f	5.5	5.5	5.5	6.5	6.5	6.5	
	g	6	6	6	8	8	8	
	g.1	2	2	2	2	2	2	
	k	15.5	15.5	15.5	23	23	23	
	l	76	76	76	94	94	94	
	s	113	113	113	132	132	132	
导线横截面积从最小至最大 Conductor cross section (mm ²) Min.-max.		6	6	6	25	25	25	
		-25	-25	-25	-70	-70	-70	

其它电压的产品请来函询问 Other requirements, please contact us freely

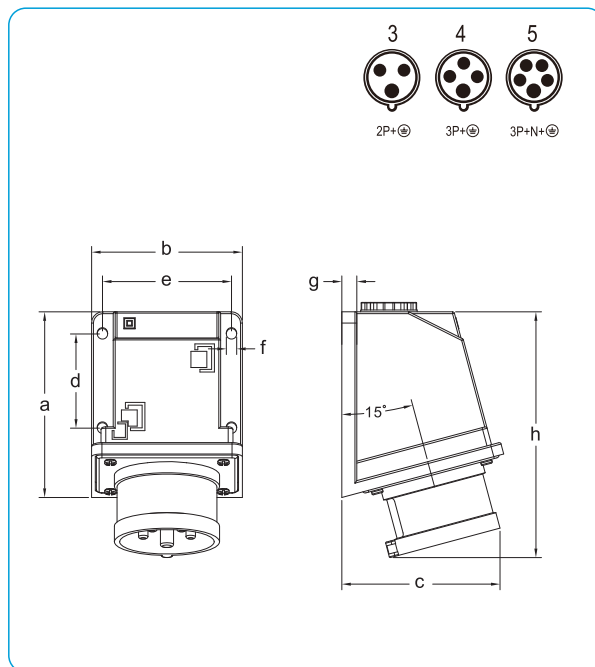
German industrial standard: Grounded at 3h, DIN VDE 0623, European / Internationa standard: EN/IEC 60309-2

www.kripal.com ◆ 接地在3时位置，符合德国工业标准 DIN VDE 0623，欧洲/国际标准EN/IEC 60309-2

KRIPAL

Hexie Series Wall Mounted Plug

和谐系列装置插头



Description

选型

电流(A) Current(A)	极数 Pole	110 V 50 a. 60 Hz			230 V 50 a. 60 Hz			400 V 50 a. 60 Hz			500 V 50 a. 60 Hz			>50-500V 100-300Hz			>50-500V a.300-500Hz		
		3P 4h	4P 4h	5P 4h	3P 6h	4P 9h	5P 9h	3P 9h	4P 6h	5P 6h	3P 7h	4P 7h	5P 7h	3P 10h	4P 10h	5P 10h	3P 2h	4P 2h	
16	3	UKS3-D134-4			UKS3-D134-6			UKS3-D134-9			UKS3-D134-7								
16	4	UKS3-D144-4			UKS3-D144-9			UKS3-D144-6			UKS3-D144-7								
16	5	UKS3-D154-4			UKS3-D154-9			UKS3-D154-6			UKS3-D154-7								
32	3	UKS3-D234-4			UKS3-D234-6			UKS3-D234-9			UKS3-D234-7								
32	4	UKS3-D244-4			UKS3-D244-9			UKS3-D244-6			UKS3-D244-7								
32	5	UKS3-D254-4			UKS3-D254-9			UKS3-D254-6			UKS3-D254-7								

▲ IP 44 CEE/IEC 装置插头

▲ IP 44 CEE/IEC Wall mounted plug

Parameter

参数

电流(A) Current (A)		16					32				
极数 Pole (P)		3	4	5	3	4	5	3	4	5	
尺寸 Dimension (mm)		a									
		98.5									
		b									
		80									
		c									
		78									
		d									
		50									
		e									
		68.5									
		f									
		5.5									
		g									
		8									
		h									
		128.5									
		129.5									
		130.5									
		139.5									
		139.5									
		140.5									
导线横截面积从最小至最大 Conductor cross section (mm ²) Min.-max.		1,5	1,5	1,5	2,5	2,5	2,5	1,5	1,5	1,5	
		-4	-4	-4	-4	-4	-4	-4	-4	-4	

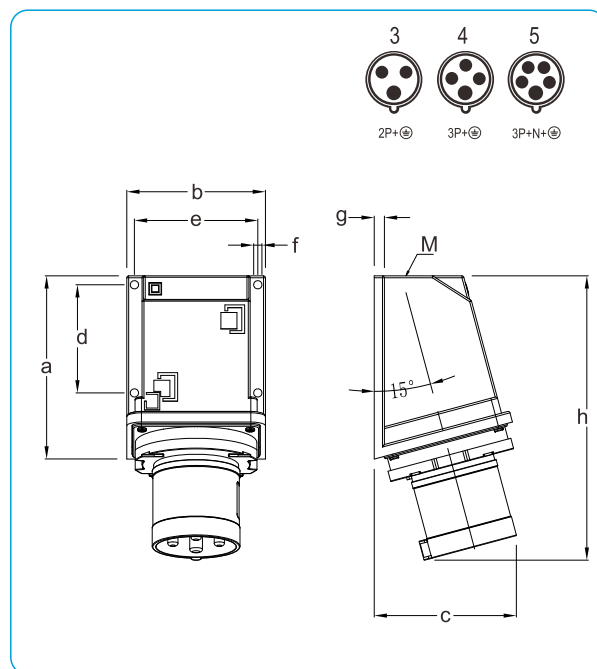
其它电压和频率的产品请来函询问 Other requirements, please contact us freely

German industrial standard: DIN VDE 0623, European / Internationa standard: EN/IEC 60309-2

◆ 符合德国工业标准 DIN VDE 0623, 欧洲/国际标准EN/IEC 60309-2 www.kripal.com

Hexie Series Wall Mounted Plug

和谐系列装置插头



Description

选型

电流(A) Current(A)	极数 Pole	110 V 50 a. 60 Hz			230 V 50 a. 60 Hz			400 V 50 a. 60 Hz			500 V 50 a. 60 Hz			>50-500V 100-300Hz			>50-500V a.300-500Hz		
		3P 4h	4P 4h	5P 4h	3P 6h	4P 9h	5P 9h	3P 9h	4P 6h	5P 6h	3P 7h	4P 7h	5P 7h	3P 10h	4P 10h	5P 10h	3P 2h	4P 2h	
63	3	UKS3-D334-4			UKS3-D334-6			UKS3-D334-9			UKS3-D334-7								
63	4	UKS3-D344-4			UKS3-D344-9			UKS3-D344-6			UKS3-D344-7								
63	5	UKS3-D354-4			UKS3-D354-9			UKS3-D354-6			UKS3-D354-7								

▲ IP 44 CEE/IEC 装置插头

▲ IP 44 CEE/IEC Wall mounted plug

Parameter

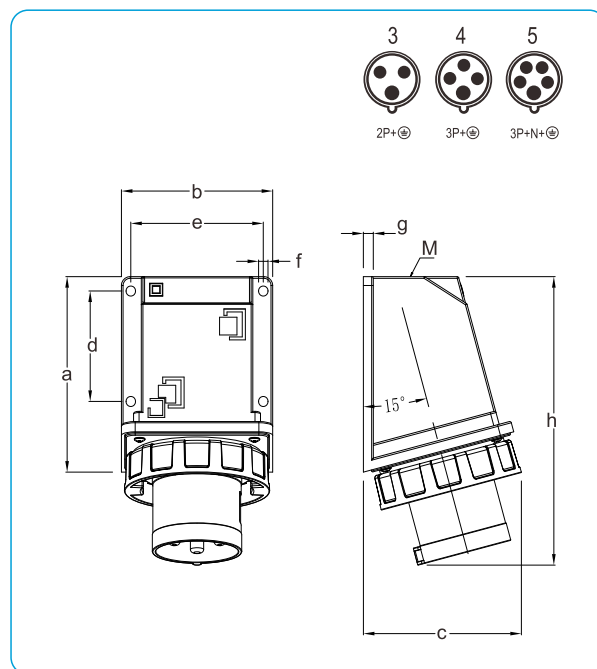
参数

电流(A) Current (A)	63			
极数 Pole (P)	3	4	5	
尺寸 Dimension (mm)	a	144	144	144
	b	109	109	109
	c	112	112	112
	d	85	85	85
	e	97	97	97
	f	6.5	6.5	6.5
	g	8	8	8
	h	224	224	224
	M	40	40	40
	导线横截面积从最小至最大 Conductor cross section (mm ²) Min.-max.	6 -25	6 -25	6 -25

其它电压和频率的产品请来函询问 Other requirements, please contact us freely
German industrial standard: DIN VDE 0623, European / International standard: EN/IEC 60309-2
◆ 符合德国工业标准 DIN VDE 0623, 欧洲/国际标准 EN/IEC 60309-2 www.kripal.com

Hexie Series Wall Mounted Plug

和谐系列装置插头



Description

选型


电流(A) Current(A)	极数 Pole	110 V 50 a. 60 Hz			230 V 50 a. 60 Hz			400 V 50 a. 60 Hz			500 V 50 a. 60 Hz			>50-500V 100-300Hz			>50-500V a.300-500Hz		
		3P 4h	4P 4h	5P 4h	3P 6h	4P 9h	5P 9h	3P 9h	4P 6h	5P 6h	3P 7h	4P 7h	5P 7h	3P 10h	4P 10h	5P 10h	3P 2h	4P 2h	5P 2h
63	3	UKS3-D336-4	UKS3-D336-6	UKS3-D336-9	UKS3-D336-7														
63	4	UKS3-D346-4	UKS3-D346-9	UKS3-D346-6	UKS3-D346-7														
63	5	UKS3-D356-4	UKS3-D356-9	UKS3-D356-6	UKS3-D356-7														
125	3	UKS3-D436-4	UKS3-D436-9	UKS3-D436-6	UKS3-D436-7														
125	4	UKS3-D446-4	UKS3-D446-9	UKS3-D446-6	UKS3-D446-7														
125	5	UKS3-D456-4	UKS3-D456-9	UKS3-D456-6	UKS3-D456-7														

▲ IP 67 CEE / IEC 附加装置插头，耐高温接触载体，插销表面镀镍

▲ IP 67 CEE / IEC Panel mounted plug: highly heat resistant contact carrier, nickel plated contacts

Parameter

参数

电流(A) Current (A)	极数 Pole (P)	63			125			可加配附件保护罩 Protection Cover Extra
		3	4	5	3	4	5	
尺寸 Dimension (mm)	a	144	144	144	177	177	177	保护罩 16A 3P/4P/5P 16A 3P/4P/5P Protectin Cover 保护罩 32A 3P/4P/5P 32A 3P/4P/5P Protectin Cover 
	b	109	109	109	137	137	137	
	c	120	120	120	143	143	143	
	d	85	85	85	100	100	100	
	e	97	97	97	120	120	120	
	f	6.5	6.5	6.5	8.5	8.5	8.5	
	g	8	8	8	9	9	9	
	h	224	224	224	261	261	261	
	M	40	40	40	50	50	50	
	导线横截面积从最小至最大 Conductor section (mm ²) Min.-max.		6 -25	6 -25	6 -25	25 -70	25 -70	

其它电压的产品请来函询问 Other requirements, please contact us freely

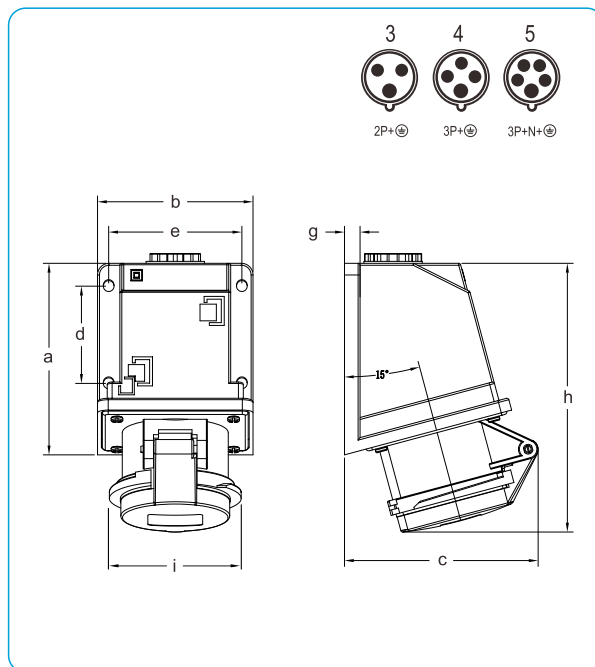
German industrial standard: Grounded at 3h, DIN VDE 0623, European / Internationa standard: EN/IEC 60309-2

www.kripal.com ◆ 接地在3时位置，符合德国工业标准 DIN VDE 0623，欧洲/国际标准EN/IEC 60309-2

KRIPAL

Hexie Series Wall Mounted Socket

和谐系列插座



Description

选型

电流(A) Current(A)	极数 Pole	110 V 50 a. 60 Hz 3P 4P 5P 4h 4h 4h	230 V 50 a. 60 Hz 3P 4P 5P 6h 9h 9h	400 V 50 a. 60 Hz 3P 4P 5P 9h 6h 6h	500 V 50 a. 60 Hz 3P 4P 5P 7h 7h 7h	>50-500V 100-300Hz 3P 4P 5P 10h 10h 10h	>50-500V a.300-500Hz 3P 4P 2h 2h
16	3	UKS3-F134-4	UKS3-F134-6	UKS3-F134-9	UKS3-F134-7		
16	4	UKS3-F144-4	UKS3-F144-9	UKS3-F144-6	UKS3-F144-7		
16	5	UKS3-F154-4	UKS3-F154-9	UKS3-F154-6	UKS3-F154-7		
32	3	UKS3-F234-4	UKS3-F234-6	UKS3-F234-9	UKS3-F234-7		
32	4	UKS3-F244-4	UKS3-F244-9	UKS3-F244-6	UKS3-F244-7		
32	5	UKS3-F254-4	UKS3-F254-9	UKS3-F254-6	UKS3-F254-7		

▲ IP 44 CEE / IEC 插座，从顶部和底部穿入电缆线

▲ IP 44 CEE / IEC Wall mounted socket: cable entry at the top and the bottom

Parameter

参数

电流(A) Current (A)		16			32			
极数 Pole (P)		3	4	5	3	4	5	
尺寸 Dimension (mm)	a	98.5	98.5	98.5	98.5	98.5	98.5	
	b	80	80	80	80	80	80	
	c	97	100	103	107	107	110	
	d	50	50	50	50	50	50	
	e	68.5	68.5	68.5	68.5	68.5	68.5	
	f	5.5	5.5	5.5	5.5	5.5	5.5	
	g	8	8	8	8	8	8	
	h	138	139	140	150	150	151	
	i	60	68	76	82	82	89	
最大电缆直径 Max cable diameter (mm)		18	18	18	18/25	18/25	18/25	
导线横截面积从最小至最大 Conductor cross section (mm ²) Min.-max.		1.5	1.5	1.5	2.5	2.5	2.5	
		-4	-4	-4	-10	-10	-10	

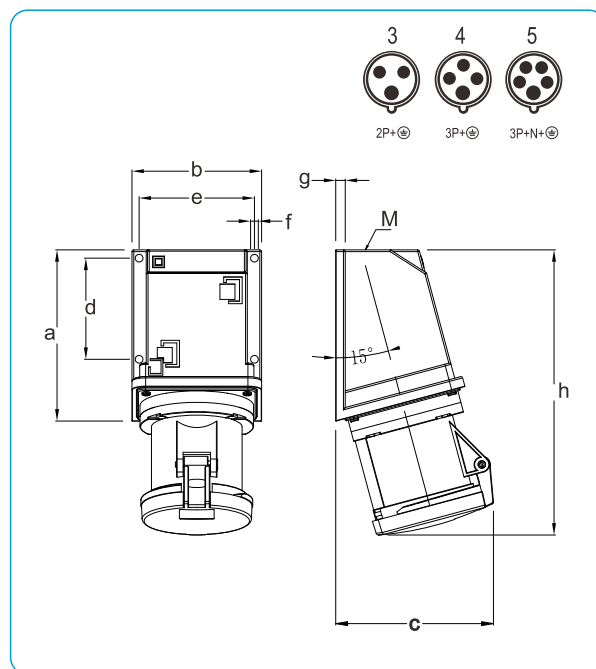
其它电压和频率的产品请来函询问 Other requirements, please contact us freely

German industrial standard: DIN VDE 0623, European / International standard: EN/IEC 60309-2

◆ 符合德国工业标准 DIN VDE 0623, 欧洲/国际标准 EN/IEC 60309-2 www.kripal.com

Hexie Series Wall Mounted Socket

和谐系列插座



Description

选型

电流(A) Current(A)	极数 Pole	110 V 50 a. 60 Hz 3P 4P 5P 4h 4h 4h	230 V 50 a. 60 Hz 3P 4P 5P 6h 9h 9h	400 V 50 a. 60 Hz 3P 4P 5P 9h 6h 6h	500 V 50 a. 60 Hz 3P 4P 5P 7h 7h 7h	>50-500V 100-300Hz 3P 4P 5P 10h 10h 10h	>50-500V a.300-500Hz 3P 4P 2h 2h
63	3	UKS3-F334-4	UKS3-F334-6	UKS3-F334-9	UKS3-F334-7		
63	4	UKS3-F344-4	UKS3-F344-9	UKS3-F344-6	UKS3-F344-7		
63	5	UKS3-F354-4	UKS3-F354-9	UKS3-F354-6	UKS3-F354-7		

▲ IP 44 CEE / IEC 插座，从顶部和底部穿入电缆线

▲ IP 44 CEE / IEC Wall mounted socket: cable entry at the top and the bottom

Parameter

参数

电流(A) Current (A)	63			
极数 Pole (P)	3	4	5	
尺寸 Dimension (mm)	a	144	144	144
	b	109	109	109
	c	133	133	133
	d	85	85	85
	e	97	97	97
	f	6.5	6.5	6.5
	g	8	8	8
	h	240	240	240
	M	40	40	40
最大电缆直径 Max cable diameter (mm)	18	18	18	
导线横截面积从最小至最大 Conductor cross section (mm ²) Min.-max.	1.5 -4	1.5 -4	1.5 -4	

其它电压的产品请来函询问 Other requirements, please contact us freely

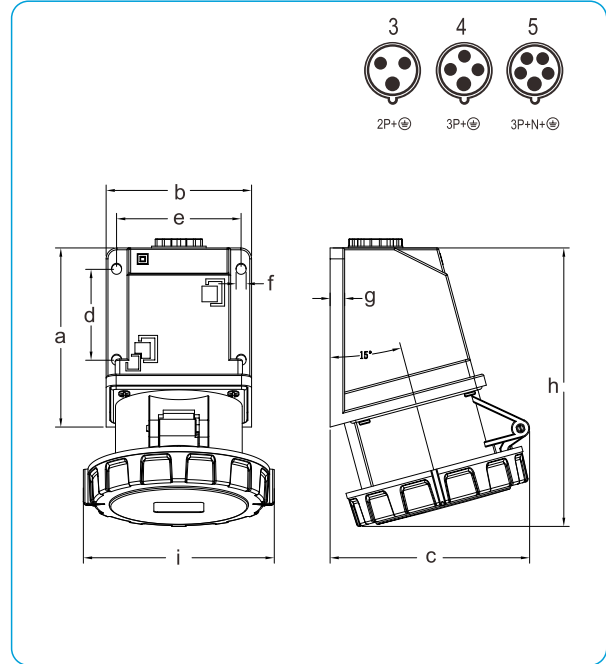
German industrial standard: Grounded at 3h, DIN VDE 0623, European / Internationa standard: EN/IEC 60309-2

www.kripal.com ◆ 接地在3时位置，符合德国工业标准 DIN VDE 0623，欧洲/国际标准EN/IEC 60309-2

KRIPAL

Hexie Series Wall Mounted Socket

和谐系列插座



Description

选型

电流(A) Current(A)	极数 Pole	110 V 50 a. 60 Hz 3P 4P 5P 4h 4h 4h	230 V 50 a. 60 Hz 3P 4P 5P 6h 9h 9h	400 V 50 a. 60 Hz 3P 4P 5P 9h 6h 6h	500 V 50 a. 60 Hz 3P 4P 5P 7h 7h 7h	>50-500V 100-300Hz 3P 4P 5P 10h 10h 10h	>50-500V a.300-500Hz 3P 4P 2h 2h
16	3	UKS3-F136-4	UKS3-F136-6	UKS3-F136-9	UKS3-F136-7		
16	4	UKS3-F146-4	UKS3-F146-9	UKS3-F146-6	UKS3-F146-7		
16	5	UKS3-F156-4	UKS3-F156-9	UKS3-F156-6	UKS3-F156-7		
32	3	UKS3-F236-4	UKS3-F236-6	UKS3-F236-9	UKS3-F236-7		
32	4	UKS3-F246-4	UKS3-F246-9	UKS3-F246-6	UKS3-F246-7		
32	5	UKS3-F256-4	UKS3-F256-9	UKS3-F256-6	UKS3-F256-7		

▲ IP 67 CEE / IEC 插座，软接触工艺，从顶部和底部穿入电缆线

▲ IP 67 CEE / IEC Wall mounted socket: soft-touch process, cable entry at the top and the bottom

Parameter

参数

电流(A) Current (A)	16			32		
极数 Pole (P)	3	4	5	3	4	5
尺寸 Dimension (mm)	a	98.5	98.5	98.5	98.5	98.5
	b	80	80	80	80	80
	c	97	100	103	107	110
	d	50	50	50	50	50
	e	68.5	68.5	68.5	68.5	68.5
	f	5.5	5.5	5.5	5.5	5.5
	g	8	8	8	8	8
	h	140	141	141	153	154
	i	74	83	92	98	105
最大电缆直径 Max cable diameter (mm)		18	18	18	18/25	18/25
导线横截面积从最小至最大 Conductor cross section (mm ²) Min.-max.		1.5	1.5	1.5	2.5	2.5
		-4	-4	-4	-10	-10

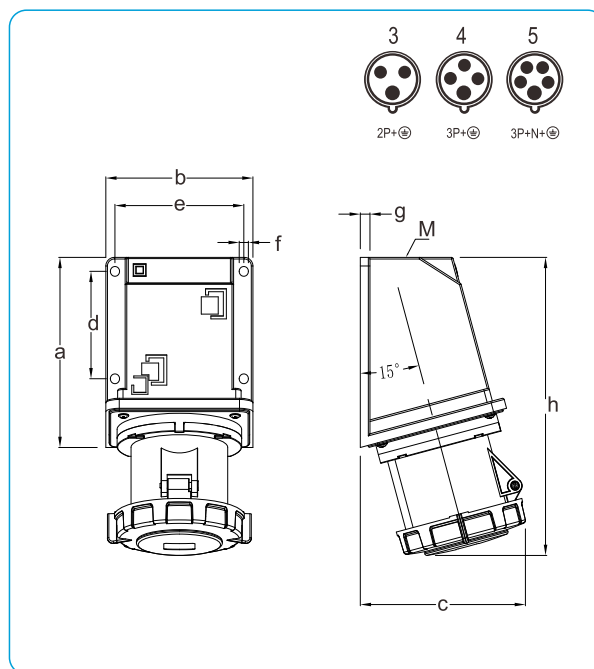
其它电压和频率的产品请来函询问 Other requirements, please contact us freely

German industrial standard: DIN VDE 0623, European / International standard: EN/IEC 60309-2

◆ 符合德国工业标准 DIN VDE 0623, 欧洲/国际标准 EN/IEC 60309-2 www.kripal.com

Hexie Series Wall Mounted Socket

和谐系列插座



Description

选型

电流(A) Current(A)	极数 Pole	110 V 50 a. 60 Hz 3P 4P 5P 4h 4h 4h	230 V 50 a. 60 Hz 3P 4P 5P 6h 9h 9h	400 V 50 a. 60 Hz 3P 4P 5P 9h 6h 6h	500 V 50 a. 60 Hz 3P 4P 5P 7h 7h 7h	>50-500V 100-300Hz 3P 4P 5P 10h 10h 10h	>50-500V a.300-500Hz 3P 4P 2h 2h
63	3	UKS3-F336-4	UKS3-F336-6	UKS3-F336-9	UKS3-F336-7		
63	4	UKS3-F346-4	UKS3-F346-9	UKS3-F346-6	UKS3-F346-7		
63	5	UKS3-F356-4	UKS3-F356-9	UKS3-F356-6	UKS3-F356-7		
125	3	UKS3-F436-4	UKS3-F436-6	UKS3-F436-9	UKS3-F436-7		
125	4	UKS3-F446-4	UKS3-F446-9	UKS3-F446-6	UKS3-F446-7		
125	5	UKS3-F456-4	UKS3-F456-9	UKS3-F456-6	UKS3-F456-7		

▲ IP 67 CEE / IEC 插座，软接触工艺，从顶部和底部穿入电缆线

▲ IP 67 CEE / IEC Wall mounted socket: soft-touch process, cable entry at the top and the bottom

Parameter

参数

电流(A) Current (A)	63			125		
极数 Pole (P)	3	4	5	3	4	5
尺寸 Dimension (mm)						
a	144	144	144	177	177	177
b	109	109	109	137	137	137
c	134	134	134	154	154	154
d	85	85	85	100	100	100
e	97	97	97	120	120	120
f	6.5	6.5	6.5	8.5	8.5	8.5
g	8	8	8	9	9	9
h	242	242	242	278	278	278
M	40	40	40	50	50	50
最大电缆直径 Max cable diameter (mm)	32	32	32	38	38	38
导线横截面积从最小至最大 Conductor cross section (mm ²) Min.-max.	6 - 25	6 - 25	6 - 25	25 - 35	25 - 35	25 - 35

其它电压的产品请来函询问 Other requirements, please contact us freely

German industrial standard: Grounded at 3h, DIN VDE 0623, European / Internationa standard: EN/IEC 60309-2

www.kripal.com ◆ 接地在3时位置，符合德国工业标准 DIN VDE 0623，欧洲/国际标准EN/IEC 60309-2

KRIPAL

Plug Socket

for Refrigerated Container



Plug Socket for Refrigerated Container

专用于冷藏集装箱插头和插座

Description

选型



电流(A) Current(A)	极数 Pole	400 V 50 a. 60 Hz 3h
32	4	UKS-F246-3



▲ IP 67 CEE / IEC 插座
▲ IP 67 CEE / IEC Socket



32	4	UKS-I246-3
----	---	------------

▲ IP 67 CEE / IEC 插座、开关、带机械联锁
▲ IP 67 CEE / IEC Switched socket with mechanical interlock



32	4	UKS-B246-3
----	---	------------

▲ IP 67 CEE / IEC 附加插座
▲ IP 67 CEE / IEC Panel mounted socket



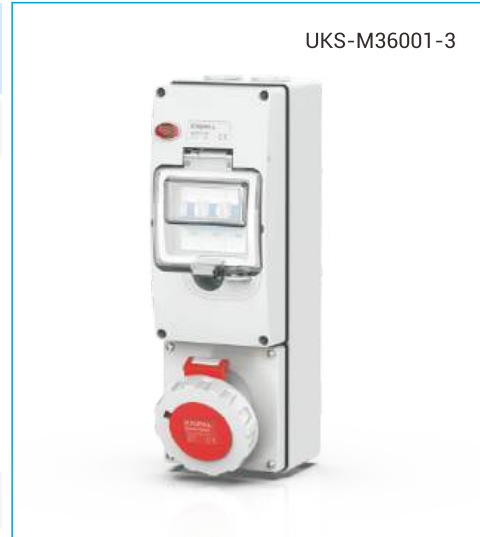
32	4	UKS2-A246-3
----	---	-------------

▲ IP 67 CEE / IEC 插头
▲ IP 67 CEE / IEC Plug



32	4	UKS2-C246-3
----	---	-------------

▲ IP 67 CEE / IEC 连接器
▲ IP 67 CEE / IEC Connector



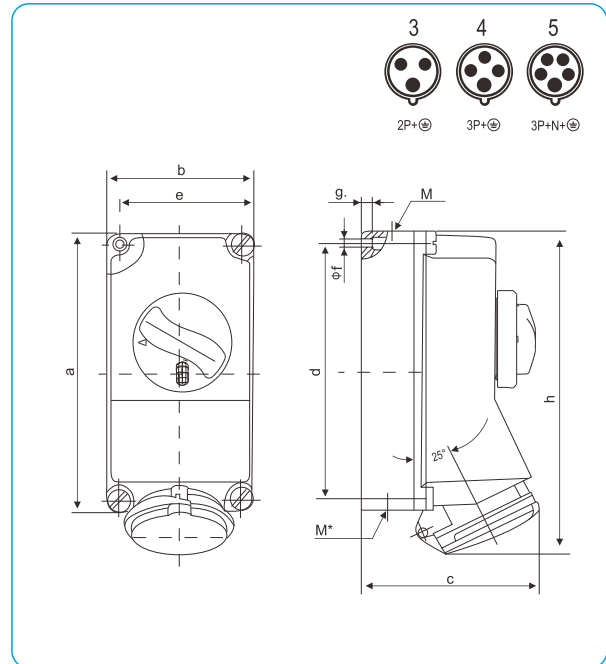
其它电压的产品请来函询问 Other requirements, please contact us freely

German industrial standard: Grounded at 3h, DIN VDE 0623, European / Internationa standard: EN/IEC 60309-2
www.kripal.com ◆ 接地在3时位置, 符合德国工业标准 DIN VDE 0623, 欧洲/国际标准EN/IEC 60309-2

KRIPAL

Interlocked Switch SocketA

机械联锁A



Description

选型

电流(A) Current(A)	极数 Pole	110 V 50 a. 60 Hz 3P 4P 5P 4h 4h 4h	230 V 50 a. 60 Hz 3P 4P 5P 6h 9h 9h	400 V 50 a. 60 Hz 3P 4P 5P 9h 6h 6h	500 V 50 a. 60 Hz 3P 4P 5P 7h 7h 7h	>50-500V 100-300Hz 3P 4P 5P 10h 10h 10h	>50-500V a.300-500Hz 3P 4P 2h 2h
16	3	UKS-I134-4	UKS-I134-6	UKS-I134-9	UKS-I134-7		
16	4	UKS-I144-4	UKS-I144-9	UKS-I144-6	UKS-I144-7		
16	5	UKS-I154-4	UKS-I154-9	UKS-I154-6	UKS-I154-7		
32	3	UKS-I234-4	UKS-I234-6	UKS-I234-9	UKS-I234-7		
32	4	UKS-I244-4	UKS-I244-9	UKS-I244-6	UKS-I244-7		
32	5	UKS-I254-4	UKS-I254-9	UKS-I254-6	UKS-I254-7		
63	3	UKS-I334-4	UKS-I334-6	UKS-I334-9	UKS-I334-7		
63	4	UKS-I344-4	UKS-I344-9	UKS-I344-6	UKS-I344-7		
63	5	UKS-I354-4	UKS-I354-9	UKS-I354-6	UKS-I354-7		

▲ IP 44 CEE / IEC 插座、开关、带机械联锁

▲ IP 44 CEE / IEC Switched socket with mechanical interlock

Parameter

参数

电流(A) Current (A)		16			32			63			
极数 Pole (P)		3	4	5	3	4	5	3	4	5	
尺寸 Dimension (mm)	a	225	225	225	225	225	225	264	264	264	
	b	118	118	118	118	118	118	163	163	163	
	c	141	141	146	146	146	141	192	192	192	
	d	208	208	208	208	208	208	240	240	240	
	e	101	101	101	101	101	101	140	140	140	
	f	6.3	6.3	6.3	6.3	6.3	6.3	8.1	8.1	8.1	
	g	8	8	8	8	8	8	8	8	8	
	h	250	252	254	264	264	264	300	300	300	
	M	2x32	2x32	2x32	2x32	2x32	2x32	2x32	40	40	40
	M*	2x25	2x25	2x25	2x25	2x25	2x25	2x25	2x40	2x40	2x40
最大电缆直径 Max cable diameter (mm)		25	25	25	25	25	25	32	32	32	
导线横截面积从最小至最大 Conductor cross section (mm ²) Min.-max.		1.5	1.5	1.5	2.5	2.5	2.5	6	6	6	
		-4	-4	-4	-10	-10	-10	-25	-25	-25	

其它电压和频率的产品请来函询问 Other requirements, please contact us freely

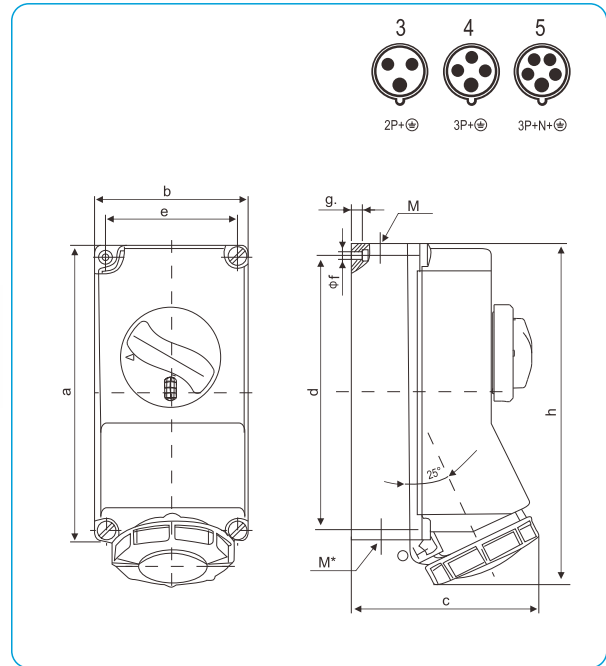
German industrial standard: DIN VDE 0623, European / International standard: EN/IEC 60309-2

◆ 符合德国工业标准 DIN VDE 0623, 欧洲/国际标准 EN/IEC 60309-2

www.kripal.com

Interlocked Switch Socket A

机械联锁A



Description

选型

电流(A) Current(A)	极数 Pole	110 V 50 a. 60 Hz			230 V 50 a. 60 Hz			400 V 50 a. 60 Hz			500 V 50 a. 60 Hz			>50-500V 100-300Hz			>50-500V a.300-500Hz		
		3P 4h	4P 4h	5P 4h	3P 6h	4P 3h	5P 9h	3P 9h	4P 6h	5P 6h	3P 7h	4P 7h	5P 7h	3P 10h	4P 10h	5P 10h	3P 2h	4P 2h	5P 2h
16	3	UKS-I136-4			UKS-I136-6			UKS-I136-9			UKS-I136-7								
16	4	UKS-I146-4			UKS-I146-9			UKS-I146-6			UKS-I146-7								
16	5	UKS-I156-4			UKS-I156-9			UKS-I156-6			UKS-I156-7								
32	3	UKS-I236-4			UKS-I236-6			UKS-I236-9			UKS-I236-7								
32	4	UKS-I246-4			UKS-I246-9			UKS-I246-6			UKS-I246-7								
32	5	UKS-I256-4			UKS-I256-9			UKS-I256-6			UKS-I256-7								
63	3	UKS-I336-4			UKS-I336-6			UKS-I336-9			UKS-I336-7								
63	4	UKS-I346-4			UKS-I346-9			UKS-I346-6			UKS-I346-7								
63	5	UKS-I356-4			UKS-I356-9			UKS-I356-6			UKS-I356-7								
125	3	UKS-I436-4			UKS-I436-6			UKS-I436-9			UKS-I436-7								
125	4	UKS-I446-4			UKS-I446-9			UKS-I446-6			UKS-I446-7								
125	5	UKS-I456-4			UKS-I456-9			UKS-I456-6			UKS-I456-7								

▲ IP 67 CEE / IEC 插座、开关、带机械联锁

▲ IP 67 CEE / IEC Switched socket with mechanical interlock

Parameter

参数

电流(A) Current (A)	16			32			63			125		
极数 Pole (P)	3	4	5	3	4	5	3	4	5	3	4	5
尺寸 Dimension (mm)	a	225	225	225	225	225	264	264	264	501		
	b	118	118	118	118	118	163	163	163	194		
	c	144	146	147	152	152	153	196	196	213		
	d	208	208	208	208	208	208	240	240	477		
	e	101	101	101	101	101	101	140	140	170		
	f	6.3	6.3	6.3	6.3	6.3	6.3	8.1	8.1	8.1		
	g	8	8	8	8	8	8	8	8	13		
	h	252	255	259	268	268	274	300	300	550		
	M	2x32	2x32	2x32	2x32	2x32	2x32	40	40	1X40+1X50		
	M*	2x25	2x25	2x25	2x25	2x25	2x25	2x40	2x40	1X40+1X50		
最大电缆直径 Max cable diameter (mm)		25	25	25	25	25	32	32	32	38		
导线横截面积从最小至最大 Conductor cross section (mm ²) Min.-max.		1.5	1.5	1.5	2.5	2.5	2.5	6	6	25		
		-4	-4	-4	-10	-10	-10	-25	-25	-35		

Other requirements, please contact us freely 其它电压和频率的产品请来函询问

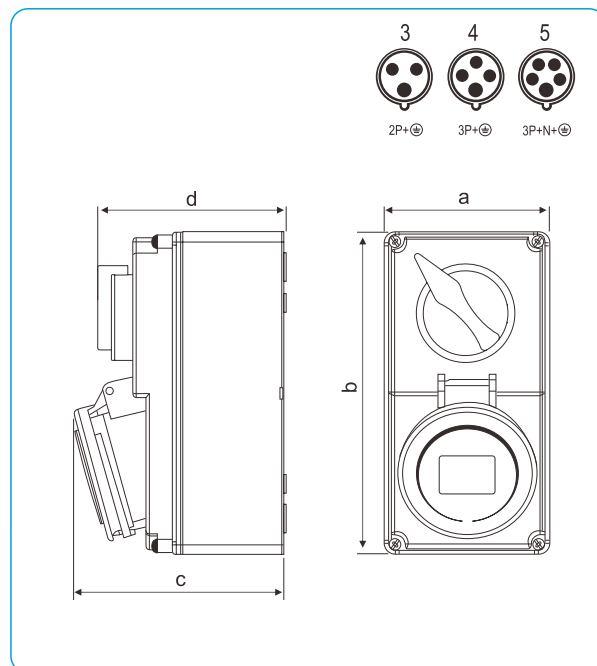
German industrial standard: DIN VDE 0623, European / International standard: EN/IEC 60309-2

www.kripal.com ◆符合德国工业标准 DIN VDE 0623, 欧洲/国际标准EN/IEC 60309-2

KRIPAL

Interlocked Switch Socket B

机械联锁B



Description

选型

电流(A) Current(A)	极数 Pole	110 V 50 a. 60 Hz 3P 4P 5P 4h 4h 4h	230 V 50 a. 60 Hz 3P 4P 5P 6h 9h 9h	400 V 50 a. 60 Hz 3P 4P 5P 9h 6h 6h	500 V 50 a. 60 Hz 3P 4P 5P 7h 7h 7h	>50-500V 100-300Hz 3P 4P 5P 10h 10h 10h	>50-500V a.300-500Hz 3P 4P 2h 2h
16	3	UKS-J134-4	UKS-J134-6	UKS-J134-9	UKS-J134-7		
16	4	UKS-J144-4	UKS-J144-9	UKS-J144-6	UKS-J144-7		
16	5	UKS-J154-4	UKS-J154-9	UKS-J154-6	UKS-J154-7		
32	3	UKS-J234-4	UKS-J234-6	UKS-J234-9	UKS-J234-7		
32	4	UKS-J244-4	UKS-J244-9	UKS-J244-6	UKS-J244-7		
32	5	UKS-J254-4	UKS-J254-9	UKS-J254-6	UKS-J254-7		

▲ IP 44 CEE / IEC 插座、开关、带机械联锁

▲ IP 44 CEE / IEC Switched socket with mechanical interlock

Parameter

参数

电流(A) Current (A)	16			32					
极数 Pole (P)	3	4	5	3	4	5			
尺寸 Dimension (mm)	a	90	90	90	90	90			
	b	180	180	180	180	180			
	c	115	116	117	123	123			
	d	105	105	105	105	105			
最大电缆直径 Max cable diameter (mm)		25	25	25	25	25			
导线横截面积从最小至最大 Conductor cross section (mm ²) Min.-max.		1.5	1.5	1.5	2.5	2.5			
		-4	-4	-4	-10	-10			

其它电压和频率的产品请来函询问 Other requirements, please contact us freely

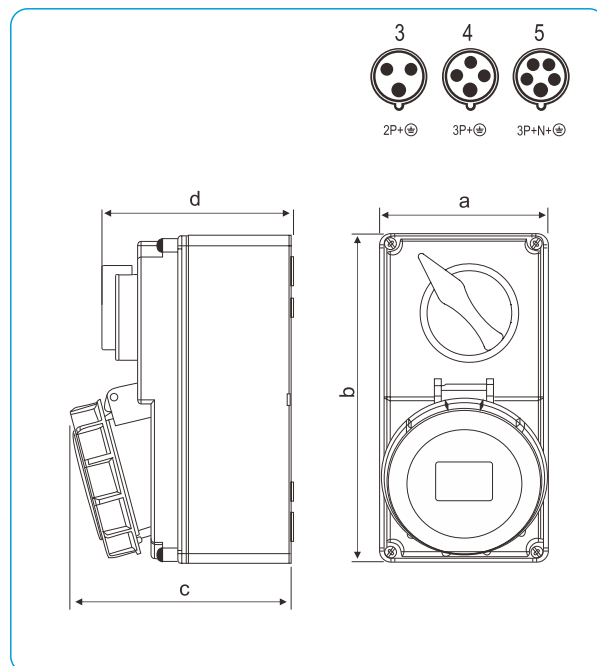
German industrial standard: DIN VDE 0623, European / International standard: EN/IEC 60309-2

◆ 符合德国工业标准 DIN VDE 0623, 欧洲/国际标准 EN/IEC 60309-2

www.kripal.com

Interlocked Switch Socket B

机械联锁B



Description

选型

电流(A) Current(A)	极数 Pole	110 V 50 a. 60 Hz 3P 4P 5P 4h 4h 4h	230 V 50 a. 60 Hz 3P 4P 5P 6h 3h 9h	400 V 50 a. 60 Hz 3P 4P 5P 9h 6h 6h	500 V 50 a. 60 Hz 3P 4P 5P 7h 7h 7h	>50-500V 100-300Hz 3P 4P 5P 10h 10h 10h	>50-500V a.300-500Hz 3P 4P 2h 2h
16	3	UKS-J136-4	UKS-J136-6	UKS-J136-9	UKS-J136-7		
16	4	UKS-J146-4	UKS-J146-9	UKS-J146-6	UKS-J146-7		
16	5	UKS-J156-4	UKS-J156-9	UKS-J156-6	UKS-J156-7		
32	3	UKS-J236-4	UKS-J236-6	UKS-J236-9	UKS-J236-7		
32	4	UKS-J246-4	UKS-J246-9	UKS-J246-6	UKS-J246-7		
32	5	UKS-J256-4	UKS-J256-9	UKS-J256-6	UKS-J256-7		

▲ IP 67 CEE / IEC 插座、开关、带机械联锁

▲ IP 67 CEE / IEC Switched socket with mechanical interlock

Parameter

参数

电流(A) Current (A)	16			32					
极数 Pole (P)	3	4	5	3	4	5			
尺寸 Dimension (mm)	a	90	90	90	90	90	90		
	b	180	180	180	180	180	180		
	c	115	116	117	123	123	124		
	d	105	105	105	105	105	105		
最大电缆直径 Max cable diameter (mm)		25	25	25	25	25	25		
导线横截面积从最小至最大 Conductor cross section (mm ²) Min.-max.		1.5	1.5	1.5	2.5	2.5	2.5		
		-4	-4	-4	-10	-10	-10		

Other requirements, please contact us freely 其它电压和频率的产品请来函询问

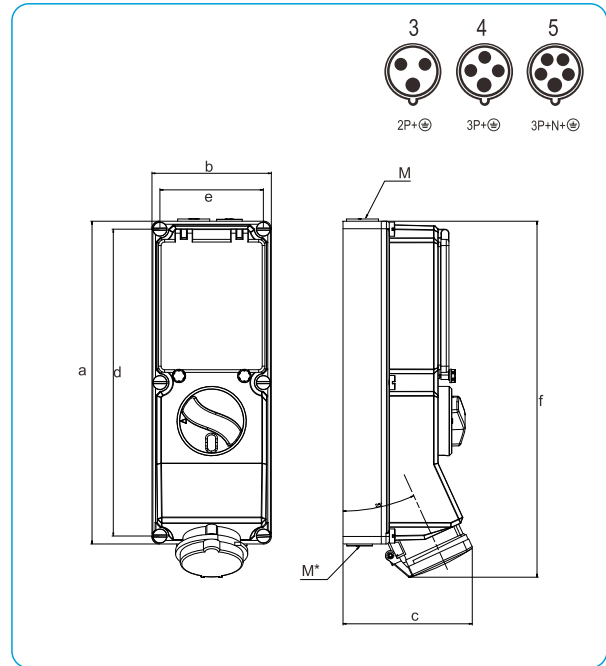
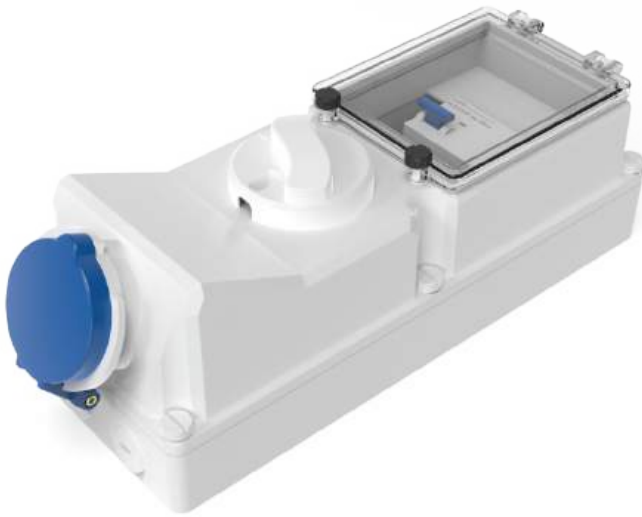
German industrial standard: DIN VDE 0623, European / International standard: EN/IEC 60309-2

www.kripal.com ◆符合德国工业标准 DIN VDE 0623, 欧洲/国际标准EN/IEC 60309-2

KRIPAL

Mechanical interlock & Din Installation

机械连锁和DIN标准安装导轨



Description

选型

电流(A) Current(A)	极数 Pole	110 V 50 a. 60 Hz 3P 4P 5P 4h 4h 4h	230 V 50 a. 60 Hz 3P 4P 5P 6h 9h 9h	400 V 50 a. 60 Hz 3P 4P 5P 9h 6h 6h	500 V 50 a. 60 Hz 3P 4P 5P 7h 7h 7h	>50-500V 100-300Hz 3P 4P 5P 10h 10h 10h	>50-500V a.300-500Hz 3P 4P 2h 2h
16	3	UKS-0134-4	UKS-0134-6	UKS-0134-9	UKS-0134-7		
16	4	UKS-0144-4	UKS-0144-9	UKS-0144-6	UKS-0144-7		
16	5	UKS-0154-4	UKS-0154-9	UKS-0154-6	UKS-0154-7		
32	3	UKS-0234-4	UKS-0234-6	UKS-0234-9	UKS-0234-7		
32	4	UKS-0244-4	UKS-0244-9	UKS-0244-6	UKS-0244-7		
32	5	UKS-0254-4	UKS-0254-9	UKS-0254-6	UKS-0254-7		
63	3	UKS-0334-4	UKS-0334-6	UKS-0334-9	UKS-0334-7		
63	4	UKS-0344-4	UKS-0344-9	UKS-0344-6	UKS-0344-7		
63	5	UKS-0354-4	UKS-0354-9	UKS-0354-6	UKS-0354-7		

▲ IP 44 CEE / IEC 插座、开关、带机械连锁

▲ IP 44 CEE / IEC Switched socket with mechanical interlock

Parameter

参数

电流(A) Current (A)	16			32			63		
极数 Pole (P)	3	4	5	3	4	5	3	4	5
尺寸 Dimension (mm)	a	365			365			460	
	b	135			135			190	
	c	146			146			190	
	d	347			347			440	
	e	117			117			170	
	f	403			403			498	
	M	1X25 1X32			1X25 1X32			1x40	
	M*	2X25			2X25			2x40	
最大电缆直径 Max cable diameter (mm)		25			25			32	
导线横截面积从最小至最大 Conductor cross section (mm ²) Min.-max.		1.5			2.5			6	
		- 4			- 10			- 25	

其它电压和频率的产品请来函询问 Other requirements, please contact us freely

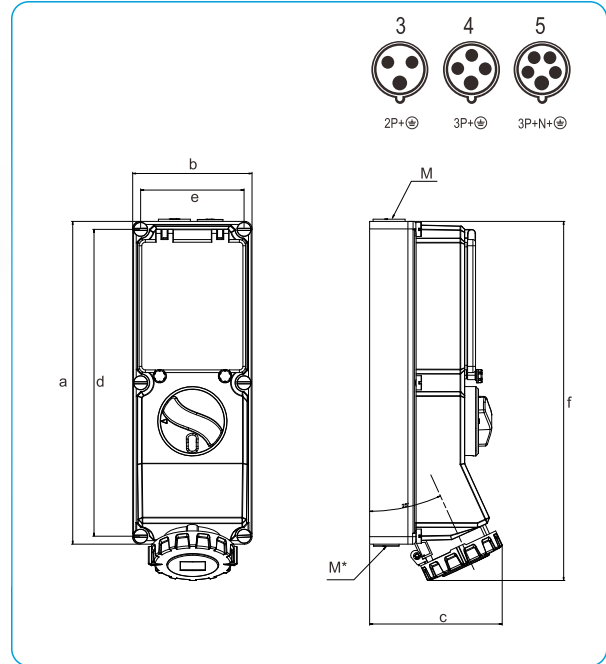
German industrial standard: DIN VDE 0623, European / International standard: EN/IEC 60309-2

◆ 符合德国工业标准 DIN VDE 0623, 欧洲/国际标准EN/IEC 60309-2

www.kripal.com

Mechanical interlock & Din Installation

机械连锁和DIN标准安装导轨



Description

选型

电流(A) Current(A)	极数 Pole	110 V 50 a. 60 Hz 3P 4P 5P 4h 4h 4h	230 V 50 a. 60 Hz 3P 4P 5P 6h 3h 9h	400 V 50 a. 60 Hz 3P 4P 5P 9h 6h 6h	500 V 50 a. 60 Hz 3P 4P 5P 7h 7h 7h	>50-500V 100-300Hz 3P 4P 5P 10h 10h 10h	>50-500V a.300-500Hz 3P 4P 2h 2h
16	3	UKS-0136-4	UKS-0136-6	UKS-0136-9	UKS-0136-7		
16	4	UKS-0146-4	UKS-0146-9	UKS-0146-6	UKS-0146-7		
16	5	UKS-0156-4	UKS-0156-9	UKS-0156-6	UKS-0156-7		
32	3	UKS-0236-4	UKS-0236-6	UKS-0236-9	UKS-0236-7		
32	4	UKS-0246-4	UKS-0246-9	UKS-0246-6	UKS-0246-7		
32	5	UKS-0256-4	UKS-0256-9	UKS-0256-6	UKS-0256-7		
63	3	UKS-0336-4	UKS-0336-6	UKS-0336-9	UKS-0336-7		
63	4	UKS-0346-4	UKS-0346-9	UKS-0346-6	UKS-0346-7		
63	5	UKS-0356-4	UKS-0356-9	UKS-0356-6	UKS-0356-7		
125	3	UKS-0436-4	UKS-0436-6	UKS-0436-9	UKS-0436-7		
125	4	UKS-0446-4	UKS-0446-9	UKS-0446-6	UKS-0446-7		
125	5	UKS-0456-4	UKS-0456-9	UKS-0456-6	UKS-0456-7		

▲ IP 67 CEE / IEC 插座、开关、带机械连锁

▲ IP 67 CEE / IEC Switched socket with mechanical interlock

Parameter

参数

电流(A) Current (A)	16			32			63			125		
极数 Pole (P)	3	4	5	3	4	5	3	4	5	3	4	5
尺寸 Dimension (mm)	a	365		365			460			501		
	b	135		135			190			194		
	c	150		150			193			213		
	d	347		347			440			477		
	e	117		117			170			170		
	f	406		406			499			550		
	M	1X25	1X32	1X25	1X32		1X40			1X40+1X50		
	M*	2X25		2X25			2X40			1X40+1X50		
最大电缆直径 Max cable diameter (mm)		25		25			32			38		
导线横截面积从最小至最大 Conductor cross section (mm ²) Min.-max.		1.5		2.5			6			25		
		-4		-10			-25			-35		

Other requirements, please contact us freely 其它电压和频率的产品请来函询问

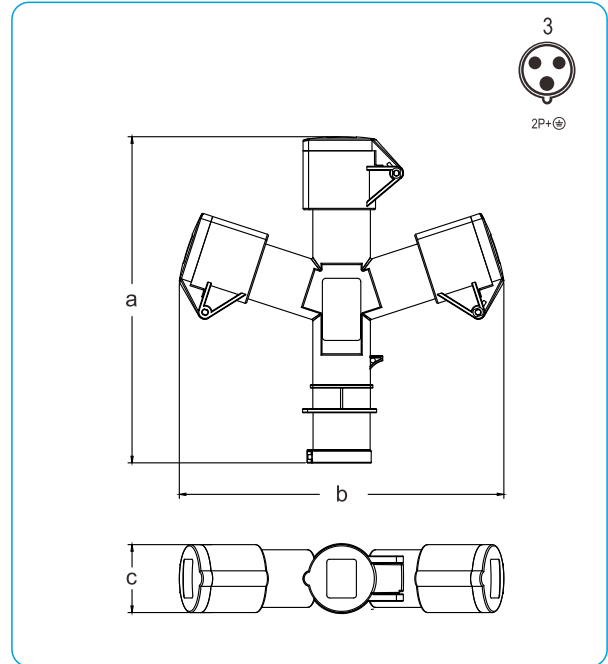
German industrial standard: DIN VDE 0623, European / Internationa standard: EN/IEC 60309-2

www.kripal.com ◆符合德国工业标准 DIN VDE 0623, 欧洲/国际标准EN/IEC 60309-2

KRIPAL

Multiple-outlet Socket

多功能工业插头插座



Description

选型

电流(A) Current(A)	极数 Pole	110 V 50 a. 60 Hz 3P 4P 5P 4h 4h 4h	230 V 50 a. 60 Hz 3P 4P 5P 6h 3h 9h	400 V 50 a. 60 Hz 3P 4P 5P 9h 6h 6h	500 V 50 a. 60 Hz 3P 4P 5P 7h 7h 7h	>50-500V 100-300Hz 3P 4P 5P 10h 10h 10h	>50-500V a.300-500Hz 3P 4P 2h 2h
16	3		UKS-30134				

▲ IP 44 CEE / IEC 插座、开关、带机械联锁

▲ IP 44 CEE / IEC Switched socket with mechanical interlock

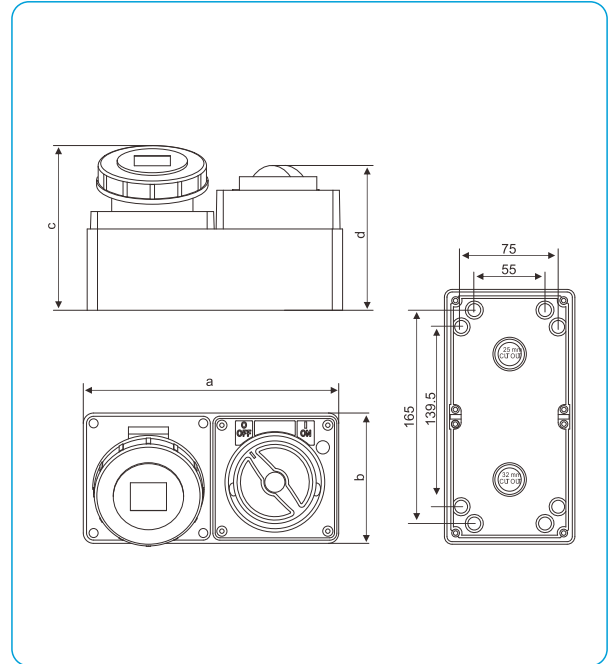
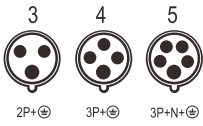
Parameter

参数

电流(A) Current (A)		16
极数 Pole (P)		3
尺寸 Dimension (mm)	a	234
	b	237
	c	50
最大电缆直径 Max cable diameter (mm)		25
导线横截面积从最小至最大 Conductor cross section (mm ²) Min.-max.		2.5 - 10

Switched Socket

插座带开关



Description

选型

电流(A) Current(A)	极数 Pole	110 V 50 a. 60 Hz			230 V 50 a. 60 Hz			400 V 50 a. 60 Hz			500 V 50 a. 60 Hz			>50-500V 100-300Hz			>50-500V a.300-500Hz		
		3P 4h	4P 4h	5P 4h	3P 6h	4P 9h	5P 9h	3P 9h	4P 6h	5P 6h	3P 7h	4P 7h	5P 7h	3P 10h	4P 10h	5P 10h	3P 2h	4P 2h	
16	3	UKS-M136-4/H			UKS-M136-6/H			UKS-M136-9/H			UKS-M136-7/H								
16	4	UKS-M146-4/H			UKS-M146-9/H			UKS-M146-6/H			UKS-M146-7/H								
16	5	UKS-M156-4/H			UKS-M156-9/H			UKS-M156-6/H			UKS-M156-7/H								
32	3	UKS-M236-4/H			UKS-M236-6/H			UKS-M236-9/H			UKS-M236-7/H								
32	4	UKS-M246-4/H			UKS-M246-9/H			UKS-M246-6/H			UKS-M246-7/H								
32	5	UKS-M256-4/H			UKS-M256-9/H			UKS-M256-6/H			UKS-M256-7/H								

▲ IP 66 CEE / IEC 插座、带开关

▲ IP 66 CEE / IEC Switched socket

Parameter

参数

电流(A) Current (A)		16			32								
极数 Pole (P)		3	4	5	3	4	5						
尺寸 Dimension (mm)	a	198	198	198	198	198	198						
	b	101	101	101	101	101	101						
	c	126	127	128	134	134	135						
	d	108	108	108	108	108	108						
最大电缆直径 Max cable diameter (mm)		25	25	25	25	25	25						
导线横截面积从最小至最大 Conductor cross section (mm ²) Min.-max.		1.5	1.5	1.5	2.5	2.5	2.5						
		-4	-4	-4	-10	-10	-10						

Other requirements, please contact us freely 其它电压和频率的产品请来函询问

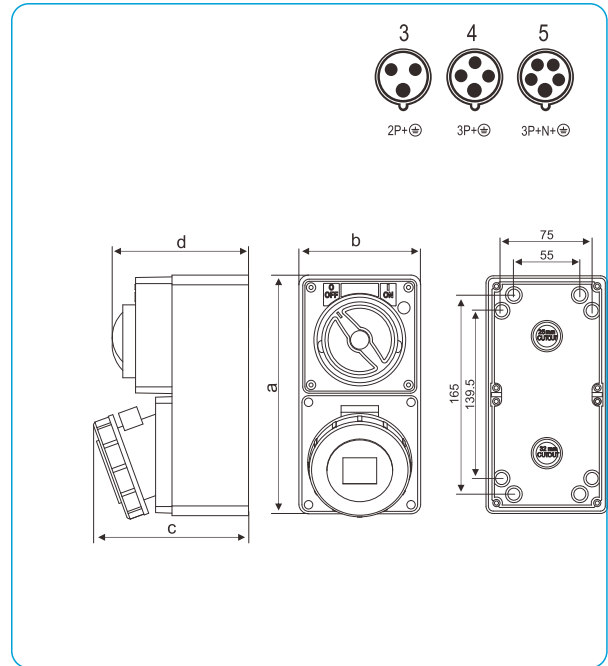
German industrial standard: DIN VDE 0623, European / International standard: EN/IEC 60309-2

www.kripal.com ◆ 符合德国工业标准 DIN VDE 0623, 欧洲/国际标准 EN/IEC 60309-2

KRIPAL

Switched Socket

插座带开关



Description

选型

电流(A) Current(A)	极数 Pole	110 V 50 a. 60 Hz 3P 4P 5P 4h 4h 4h	230 V 50 a. 60 Hz 3P 4P 5P 6h 9h 9h	400 V 50 a. 60 Hz 3P 4P 5P 9h 6h 6h	500 V 50 a. 60 Hz 3P 4P 5P 7h 7h 7h	>50-500V 100-300Hz 3P 4P 5P 10h 10h 10h	>50-500V a.300-500Hz 3P 4P 2h 2h
16	3	UKS-M136-4	UKS-M136-6	UKS-M136-9	UKS-M136-7		
16	4	UKS-M146-4	UKS-M146-9	UKS-M146-6	UKS-M146-7		
16	5	UKS-M156-4	UKS-M156-9	UKS-M156-6	UKS-M156-7		
32	3	UKS-M236-4	UKS-M236-6	UKS-M236-9	UKS-M236-7		
32	4	UKS-M246-4	UKS-M246-9	UKS-M246-6	UKS-M246-7		
32	5	UKS-M256-4	UKS-M256-9	UKS-M256-6	UKS-M256-7		

▲ IP 66 CEE / IEC 插座、带开关

▲ IP 66 CEE / IEC Switched socket

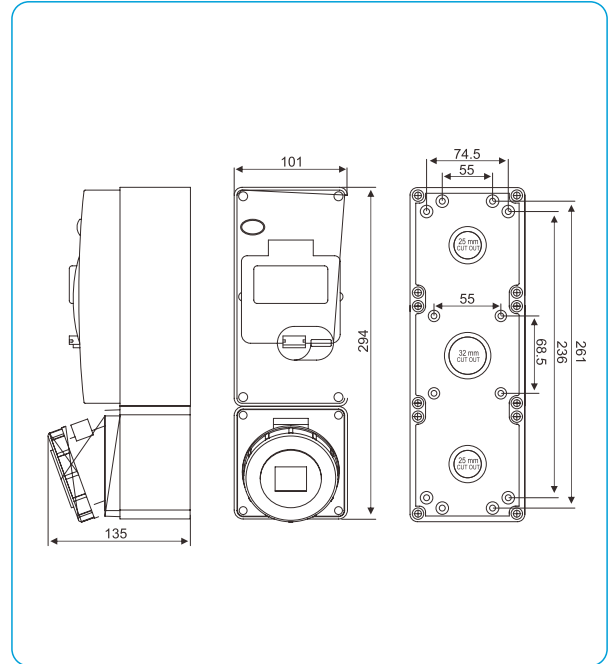
Parameter

参数

电流(A) Current (A)	16			32					
极数 Pole (P)	3	4	5	3	4	5			
尺寸 Dimension (mm)	a	198	198	198	198	198	198		
	b	101	101	101	101	101	101		
	c	126	127	128	134	134	135		
	d	108	108	108	108	108	108		
最大电缆直径 Max cable diameter (mm)	25	25	25	25	25	25			
导线横截面积从最小至最大 Conductor cross section (mm ²) Min.-max.	1.5	1.5	1.5	2.5	2.5	2.5			
	-4	-4	-4	-10	-10	-10			

Switched Socket with Circuit Protection

插座带开关、熔断器保护



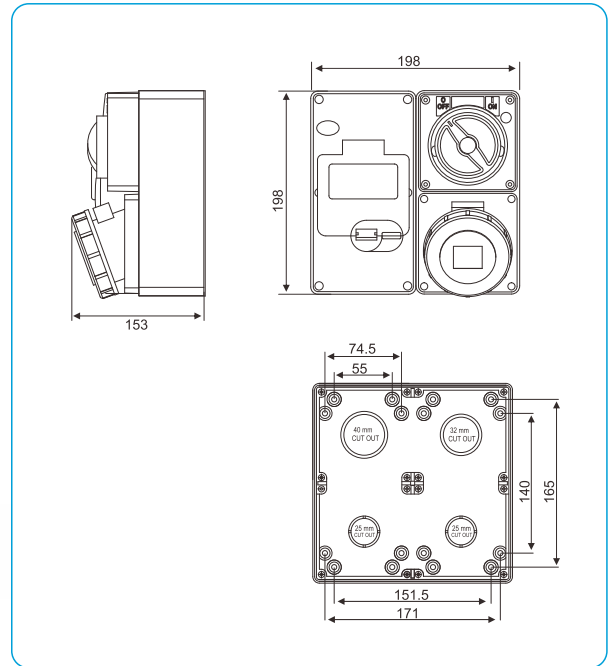
Description

选型

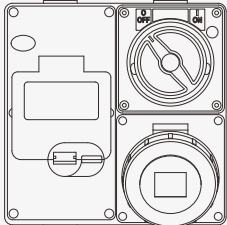
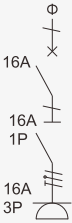
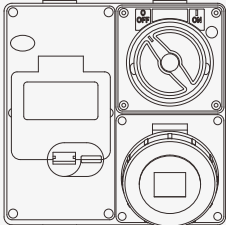
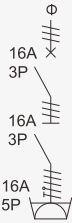
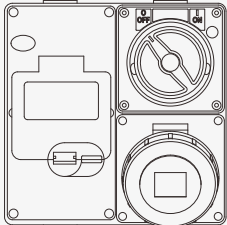
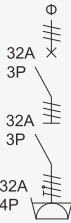
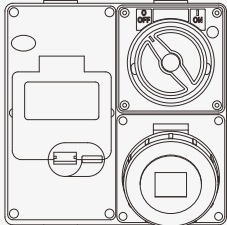
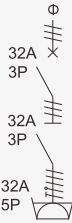
UKS-M36001	UKS-M36002	UKS-M36003	UKS-M36004
<p>◆◆ IP 66</p> <p>1个56CB1-4N</p> <p>1个CEE/IEC插座 Soc.16A,3P,230V</p> <p>1个小型断路器MCB 16A,1P,C</p>	<p>◆◆ IP 66</p> <p>1个56CB1-4N</p> <p>1个CEE/IEC插座 Soc.16A,4P,400V</p> <p>1个小型断路器MCB 16A,3P,C</p>	<p>◆◆ IP 66</p> <p>1个56CB1-4N</p> <p>1个CEE/IEC插座 Soc.32A,4P,400V</p> <p>1个小型断路器MCB 32A,3P,C</p>	<p>◆◆ IP 66</p> <p>1个56CB1-4N</p> <p>1个CEE/IEC插座 Soc.32A,5P,400V</p> <p>1个小型断路器MCB 32A,3P,C</p>

Switched Socket with Circuit Protection

插座带开关、熔断器保护

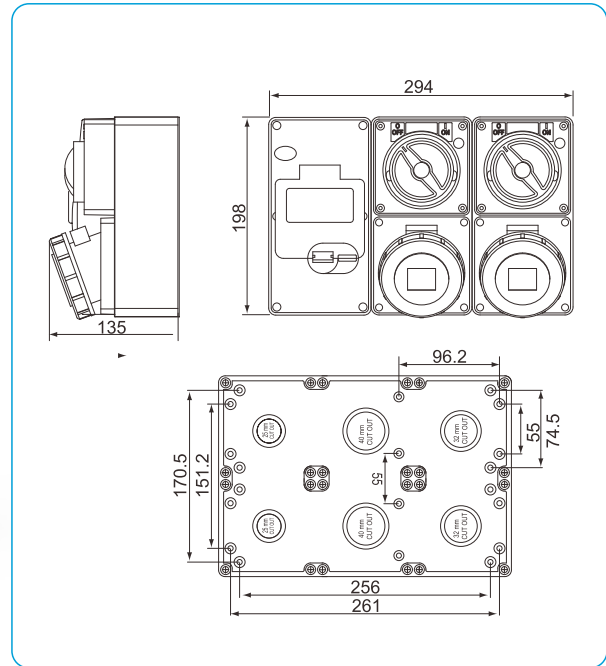


Description 选型

UKS-M46001	UKS-M46002	UKS-M46003	UKS-M46004
 	 	 	 
<p>◆◆ IP 66</p> <p>1个56CB1-4N 1个隔离开关 Isolator Switch 1个CEE/IEC插座 Soc.16A,3P,230V 1个小型断路器MCB 16A,1P,C</p>	<p>◆◆ IP 66</p> <p>1个56CB1-4N 1个隔离开关 Isolator Switch 1个CEE/IEC插座 Soc.16A,5P,400V 1个小型断路器MCB 16A,3P,C</p>	<p>◆◆ IP 66</p> <p>1个56CB1-4N 1个隔离开关 Isolator Switch 1个CEE/IEC插座 Soc.32A,4P,400V 1个小型断路器MCB 32A,3P,C</p>	<p>◆◆ IP 66</p> <p>1个56CB1-4N 1个隔离开关 Isolator Switch 1个CEE/IEC插座 Soc.32A,5P,400V 1个小型断路器MCB 32A,3P,C</p>

Switched Socket with Circuit Protection

插座带开关、熔断器保护



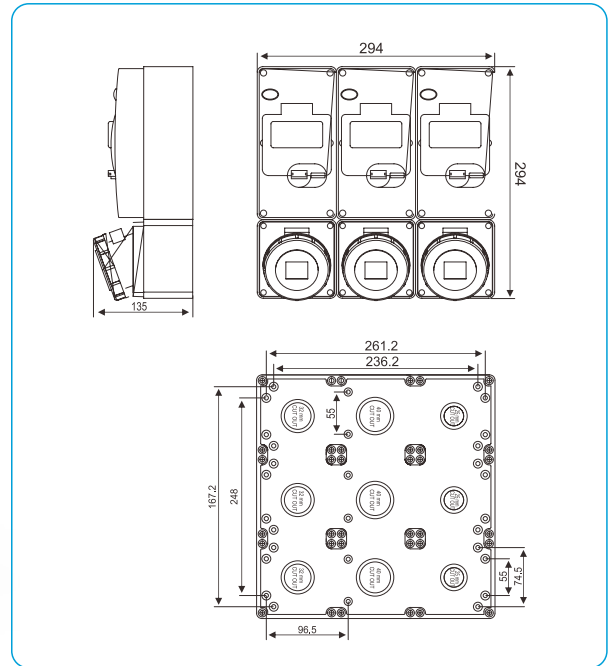
Description

选型

UKS-M66001	UKS-M66002	UKS-M66003	UKS-M66004
<p>◆◆ IP 66</p> <p>1个56CB1-4N 2个隔离开关 Isolator Switch 1个CEE/IEC插座 Soc.16A,3P,230V 1个小型断路器MCB 32A,1P,C</p>	<p>◆◆ IP 66</p> <p>1个56CB1-4N 2个隔离开关 Isolator Switch 2个CEE/IEC插座 Soc.16A,5P,400V 1个小型断路器MCB 32A,3P,C</p>	<p>◆◆ IP 66</p> <p>1个56CB1-4N 2个隔离开关 Isolator Switch 1个CEE/IEC插座 Soc.16A,4P,400V 1个CEE/IEC插座 Soc.16A,5P,400V 1个小型断路器MCB 32A,3P,C</p>	<p>◆◆ IP 66</p> <p>1个56CB1-4N 2个隔离开关 Isolator Switch 2个CEE/IEC插座 Soc.16A,4P,400V 1个小型断路器MCB 32A,3P,C</p>

Switched Socket with Circuit Protection

插座带开关、熔断器保护

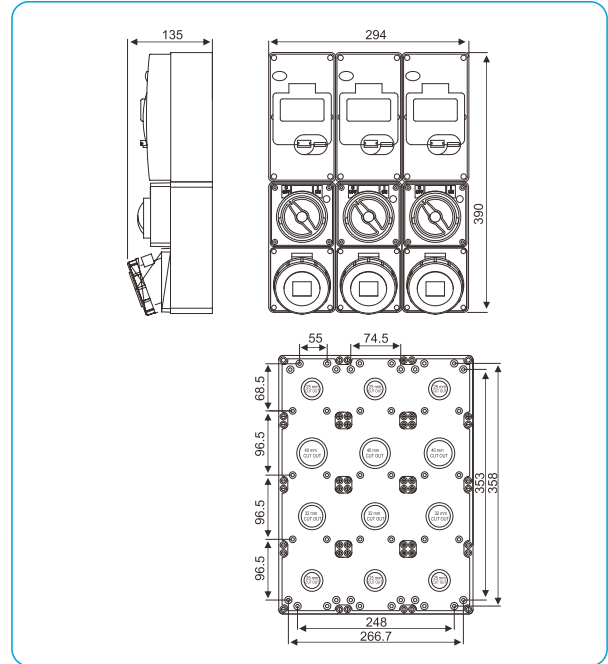


Description
选型

UKS-M96001	UKS-M96002	UKS-M96003	UKS-M96004
<p>◆◆ IP 66</p> <p>3个56CB1-4N 3个CEE/IEC插座 Soc.16A,3P,230V 3个小型断路器MCB 16A,1P,C</p>	<p>◆◆ IP 66</p> <p>3个56CB1-4N 1个CEE/IEC插座 Soc.16A,3P,230V 1个CEE/IEC插座 Soc.16A,4P,400V 1个CEE/IEC插座 Soc.16A,5P,400V 1个小型断路器MCB 16A,1P,C 2个小型断路器MCB 16A,3P,C</p>	<p>◆◆ IP 66</p> <p>3个56CB1-4N 1个CEE/IEC插座 Soc.16A,3P,230V 1个CEE/IEC插座 Soc.16A,4P,400V 1个CEE/IEC插座 Soc.32A,4P,400V 1个小型断路器MCB 16A,1P,C 1个小型断路器MCB 16A,3P,C 1个小型断路器MCB 32A,3P,C</p>	<p>◆◆ IP 66</p> <p>3个56CB1-4N 1个CEE/IEC插座 Soc.16A,3P,230V 1个CEE/IEC插座 Soc.32A,4P,400V 1个CEE/IEC插座 Soc.32A,5P,400V 1个小型断路器MCB 16A,1P,C 2个小型断路器MCB 16A,3P,C</p>

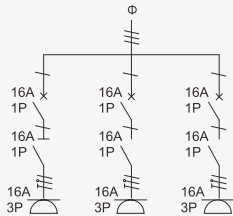
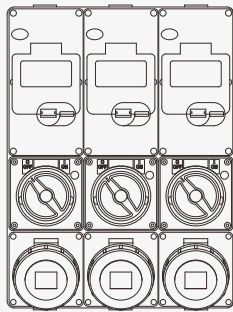
Switched Socket with Circuit Protection

插座带开关、熔断器保护



Description 选型

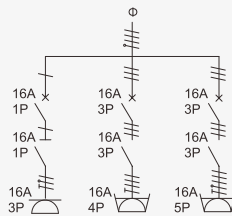
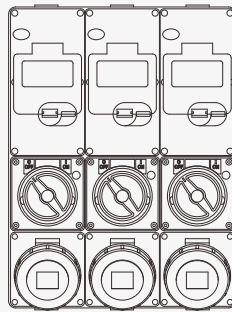
UKS-M126001



◆◆ IP 66

3个56CB1-4N
3个隔离开关 Isolator Switch
3个CEE/IEC插座
Soc.16A,3P,230V
3个小型断路器MCB 16A,1P,C

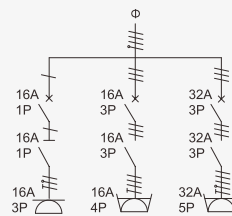
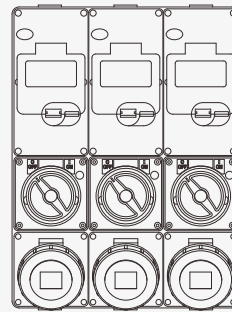
UKS-M126002



◆◆ IP 66

3个56CB1-4N
3个隔离开关 Isolator Switch
1个CEE/IEC插座
Soc.16A,3P,230V
1个CEE/IEC插座
Soc.16A,4P,400V
1个CEE/IEC插座
Soc.16A,5P,400V
1个小型断路器MCB 16A,1P,C
2个小型断路器MCB 16A,3P,C

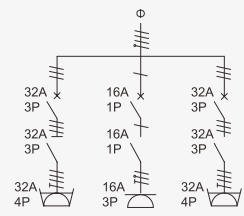
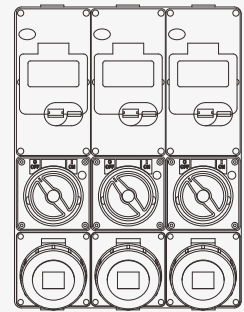
UKS-M126003



◆◆ IP 66

3个56CB1-4N
3个隔离开关 Isolator Switch
1个CEE/IEC插座
Soc.16A,3P,230V
1个CEE/IEC插座
Soc.16A,4P,400V
1个CEE/IEC插座
Soc.32A,5P,400V
1个小型断路器MCB 16A,1P,C
1个小型断路器MCB 16A,3P,C
1个小型断路器MCB 32A,3P,C

UKS-M126004



◆◆ IP 66

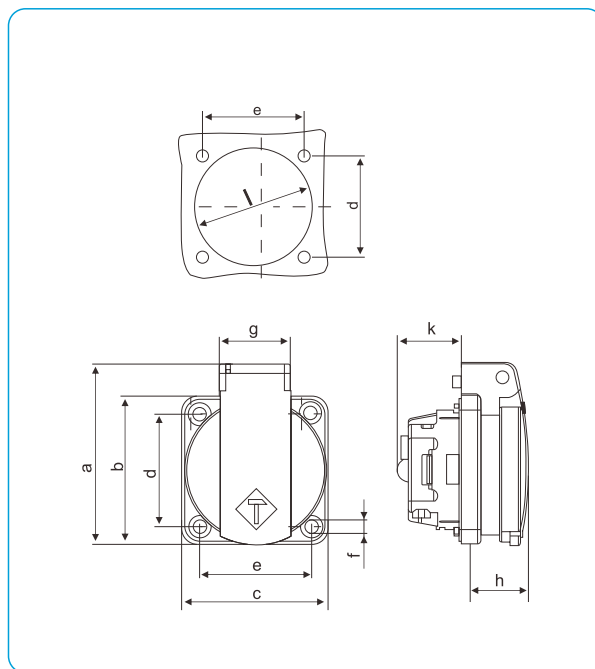
3个56CB1-4N
3个隔离开关 Isolator Switch
2个CEE/IEC插座
Soc.32A,4P,400V
1个CEE/IEC插座
Soc.16A,3P,230V
1个小型断路器MCB 16A,1P,C
2个小型断路器MCB 32A,3P,C

Schuko Socket

附加插座

IP 54 Schuko socket

IP 54 附加插座



Description

选型

颜色 Color	电流(A) Current(A)	电压 Voltage	保护挡板	卡接插入 Clamp	螺钉端子 Screw
灰 Gray	16	230	无	UKS-B115-2	
蓝 Blue	16	230	无	UKS-B125-2	
黑 Black	16	230	无	UKS-B135-2	
红 Red	16	230	无	UKS-B145-2	
灰 Gray	16	230	有	UKS-B115-1	
蓝 Blue	16	230	有	UKS-B125-1	
灰 Gray	16	230	无	UKS-B215-2	
蓝 Blue	16	230	无	UKS-B225-2	
灰 Gray	16	230	有	UKS-B215-1	
蓝 Blue	16	230	有	UKS-B225-1	
黑 Black	16	230	有	UKS-B235-1	

带铰链翻盖，3个卡接插入端或3个尾部螺钉连接端子，导线截面积为1.5-2.5平方毫米，法兰盘有4个安装孔
With hinged lid, 3 plug-in terminals or 3 screw terminals as connecting terminals, conductor cross-sectional area of 1.5-2.5mm² 4 mounting holes in flange

Parameter

参数

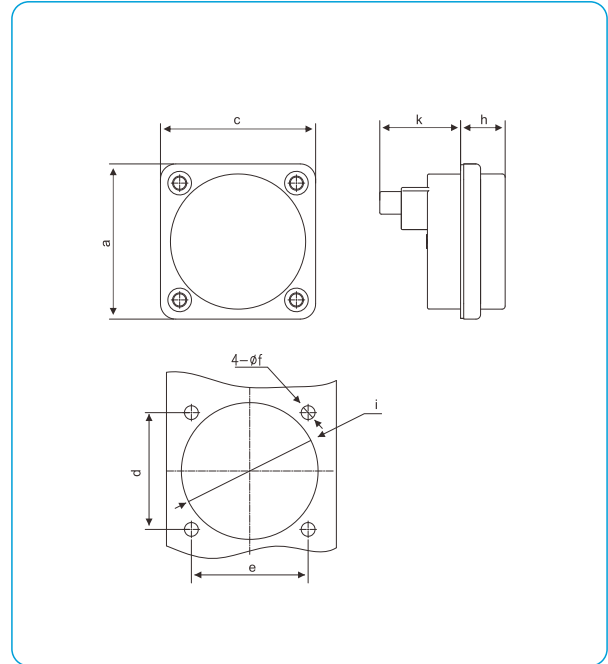
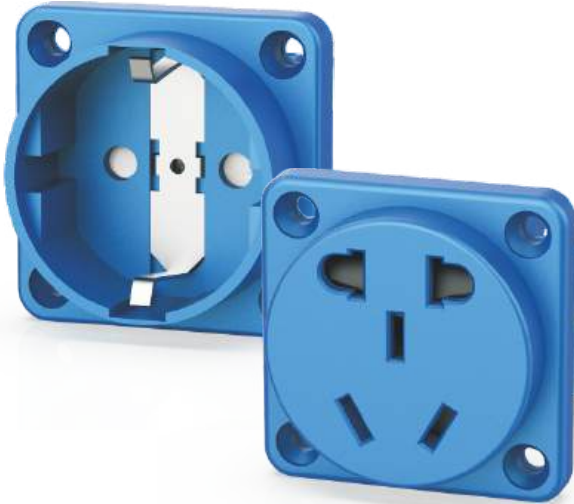
电流(A) Current (A)		16
极数 Pole (P)		
尺寸 Dimension (mm)	a	61
	b	50
	c	50
	d	38
	e	38
	f	4.5
	g	24.2
	h	23
	k	21.7
	l	φ44.5

Schuko Socket

附加插座

IP 20 Schuko socket

IP 20 附加插座



Description

选型

颜色 Color	电流(A) Current(A)	电压 Voltage	保护挡板 Protective block	卡接插入 Clamp	螺钉端子 Screw
蓝 Blue	16	230	无 Without	UKS-B122-2	
黑 Black	16	230	无 Without	UKS-B132-2	
蓝 Blue	16	230	有 With	UKS-B122-1	
蓝 Blue	16	230	无 Without	UKS-B222-2	
蓝 Blue	16	230	有 With	UKS-B222-1	
蓝 Blue	10	250	无 Without	UKS-B032	

不带铰链翻盖，3个卡接插入端或3个尾部螺钉连接端子，导线截面积为1.5-2.5平方毫米，法兰盘有4个安装孔

Without hinged lid, 3 plug-in terminals or 3 screw terminals as connecting terminals, conductor cross-sectional area of 1.5-2.5mm² 4 mounting holes in flange

Parameter

参数

电流(A) Current (A)		10	16
极数 Pole (P)			
尺寸 Dimension (mm)	a	50.5	61
	b	50.5	50
	c	50	50
	d	38	38
	e	38	38
	f	4.5	4.5
	h	14.5	14.5
	k	26.3	21.7
	l	φ 44.5	φ 44.5

Other requirements, please contact us freely 其它电压和频率的产品请来函询问

German industrial standard: DIN VDE 0623, European / International standard: EN/IEC 60309-2

www.kripal.com ◆符合德国工业标准 DIN VDE 0623, 欧洲/国际标准EN/IEC 60309-2

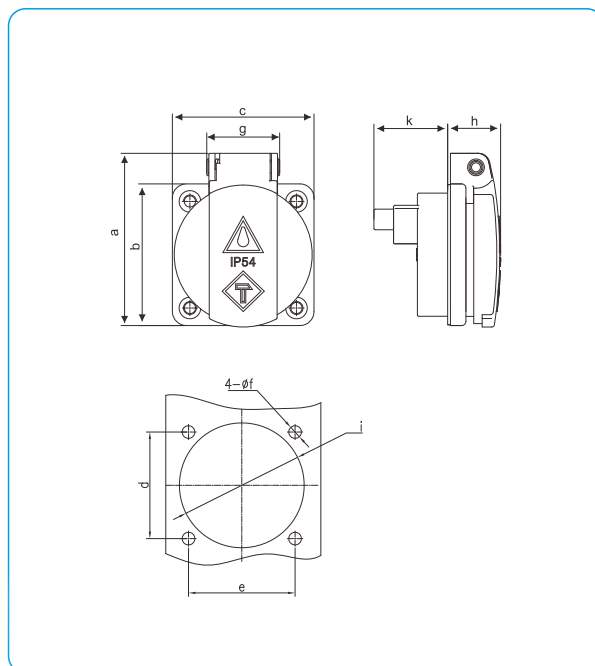
KRIPAL

Schuko Socket

附加插座

IP 54 Power outlet: ground protection, European

IP 54 保护接地附加插座



Description

选型

颜色 Color	电流(A) Current(A)	电压 Voltage	保护挡板	卡接插入 Clamp	螺钉端子 Screw
蓝 Blue	16	250	有		
蓝 Blue	10	250	有	UKS-B035	
					16021

带铰链翻盖，3个卡接插入端或3个尾部螺钉连接端子，导线截面积为1.5-2.5平方毫米，法兰盘有4个安装孔
With hinged lid, 3 plug-in terminals or 3 screw terminals as connecting terminals, conductor cross-sectional area of 1.5-2.5mm² 4 mounting holes in flange

Parameter

参数

电流(A) Current (A)		10	16
极数 Pole (P)			
尺寸 Dimension (mm)	a	61.4	61
	b	50.5	50
	c	50.5	50
	d	38	38
	e	38	38
	f	4.5	4.5
	g	24.2	24.2
	h	18.9	23
	k	26.3	21.7
	l	φ44.5	φ44.5

其它颜色请来函询问 Other colors, please contact us freely
German industrial standard: DIN VDE 0623

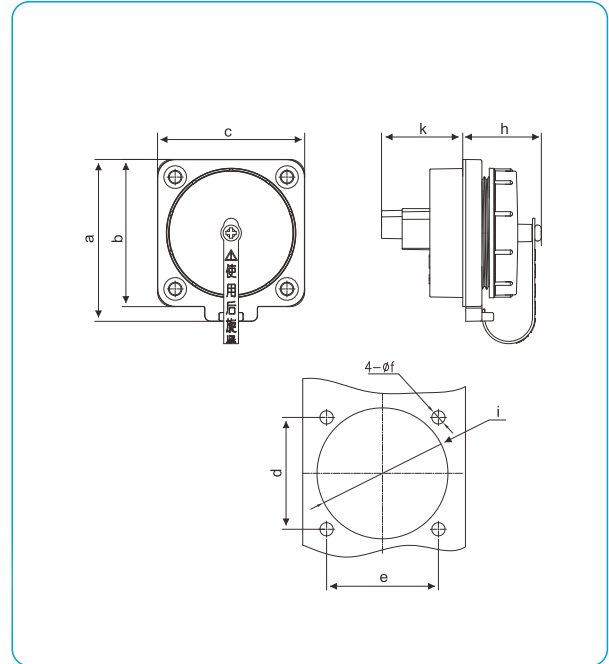
◆符合德国工业标准 DIN VDE 0623 www.kripal.com

Schuko Socket

附加插座

IP 65 Power outlet: ground protection, European

IP 65 保护接地附加插座



Description

选型

颜色 Color	电流(A) Current(A)	电压 Voltage	螺钉端子 Screw		
蓝 Blue	10	250	UKS-B036		
蓝 Blue	10	250	UKS-B036-1		

带铰链翻盖，3个尾部螺钉连接端子，导线截面积为1.5-2.5平方毫米，法兰盘有4个安装孔

With hinged lid, 3 screw terminals as connecting terminals, conductor cross-sectional area of 1.5-2.5mm² mounting holes in flange

Parameter

参数

电流(A) Current (A)		10	16
极数 Pole (P)			
尺寸 Dimension (mm)	a	55	65
	b	50	65
	c	50	65
	d	38	45
	e	38	45
	f	4.5	4.5
	h	26.7	27.9
	k	27.6	26.3
	l	φ44.5	φ44.5

其它颜色请来函询问 Other colors, please contact us freely

Multi-national standards

www.kripal.com ◆ 多国标准

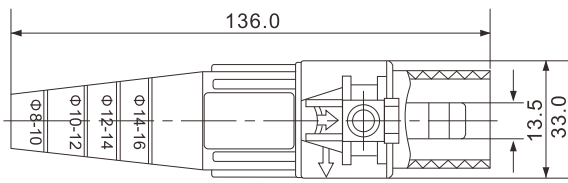
KRIPAL

Switch For Power Supply Joint

美标单芯接插件



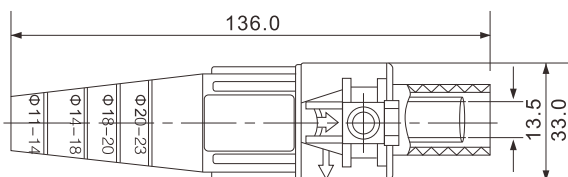
外形尺寸 Dimension



颜色 Color	A	V	订货号 Order NO.
绿 Green	200	380	UKG 200
黄 Yellow	200	380	UKG 200
蓝 Blue	200	380	UKG 200
黑 Black	200	380	UKG 200
红 Red	200	380	UKG 200



外形尺寸 Dimension



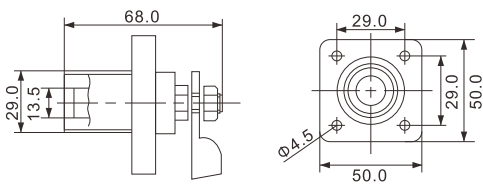
颜色 Color	A	V	订货号 Order NO.
绿 Green	200	380	UKM 200
黄 Yellow	200	380	UKM 200
蓝 Blue	200	380	UKM 200
黑 Black	200	380	UKM 200
红 Red	200	380	UKM 200

Switch For Power Supply Joint

美标单芯接插件



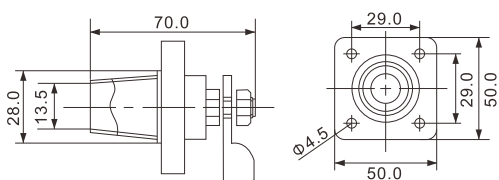
外形尺寸 Dimension



颜色 Color	A	V	订货号 Order NO.
绿 Green	200	380	UKGZ 200
黄 Yellow	200	380	UKGZ 200
蓝 Blue	200	380	UKGZ 200
黑 Black	200	380	UKGZ 200
红 Red	200	380	UKGZ 200



外形尺寸 Dimension



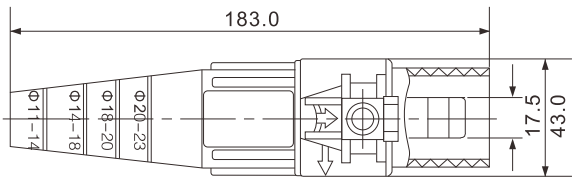
颜色 Color	A	V	订货号 Order NO.
绿 Green	200	380	UKMZ-200
黄 Yellow	200	380	UKMZ-200
蓝 Blue	200	380	UKMZ-200
黑 Black	200	380	UKMZ-200
红 Red	200	380	UKMZ-200

Switch For Power Supply Joint

美标单芯接插件



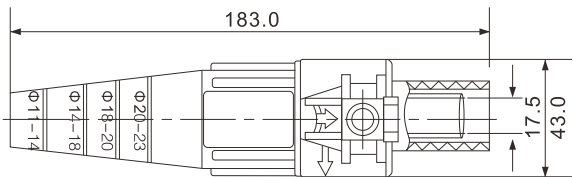
外形尺寸 Dimension



颜色 Color	A	V	订货号 Order NO.
绿 Green	400	600	UKG-400
黄 Yellow	400	600	UKG-400
蓝 Blue	400	600	UKG-400
黑 Black	400	600	UKG-400
红 Red	400	600	UKG-400



外形尺寸 Dimension



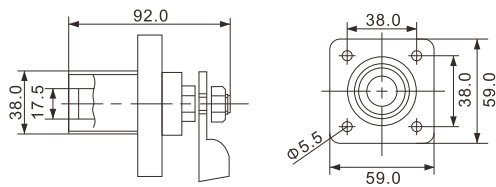
颜色 Color	A	V	订货号 Order NO.
绿 Green	400	600	UKM-400
黄 Yellow	400	600	UKM-400
蓝 Blue	400	600	UKM-400
黑 Black	400	600	UKM-400
红 Red	400	600	UKM-400

Switch For Power Supply Joint

美标单芯接插件



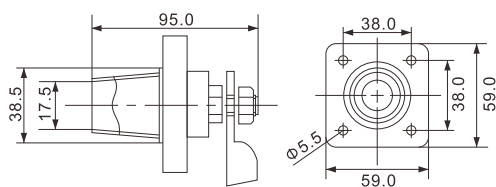
外形尺寸 Dimension



颜色 Color	A	V	订货号 Order NO.
绿 Green	400	600	UKGZ 400
黄 Yellow	400	600	UKGZ 400
蓝 Blue	400	600	UKGZ 400
黑 Black	400	600	UKGZ 400
红 Red	400	600	UKGZ 400



外形尺寸 Dimension



颜色 Color	A	V	订货号 Order NO.
绿 Green	400	600	UKMZ 400
黄 Yellow	400	600	UKMZ 400
蓝 Blue	400	600	UKMZ 400
黑 Black	400	600	UKMZ 400
红 Red	400	600	UKMZ 400