

Film & TV Distrubition Box

Power Maintenance Box(PE)

Protection class: IP44-IP65



Outline

UK Series portable power maintenance box is in line with relative IEC standards, which is for electrical network (50-60Hz, Voltage not higher than 660V). At the same time, they are with circuit protection like overload, short circuit and current leakage and provide the power outlets for electrical equipments.

These boxes are widely used in oil, chemical industry, metallurgy, power plants, coal mines machinery, textile ports, docks and other industries, specifically for maintenance in the tunnel range of rail transit.

UK Series portable power maintenance boxes are widely used in petroleum, chemical, metallurgy, power plants, coal mines, machinery, textile, ports and other industries; especially for power maintenance in tunnel of rail transport.

Boxes are made of PE material (polyethylene) which set many advantages in one: e.g. good finishing, corrosion resistance, compressive strength, waterproof, moisture-proof, anti-slip, high dielectric properties, good electrical insulation and long service life.

They are designed with transparent windows which is convenient and safe for operation. No need to open the doors

Technical Parameter

Rated insulation voltage: AC 440V

Rated operation voltage: AC 230/400V

Rated frequency: 50Hz

Protection class: IP44, IP65

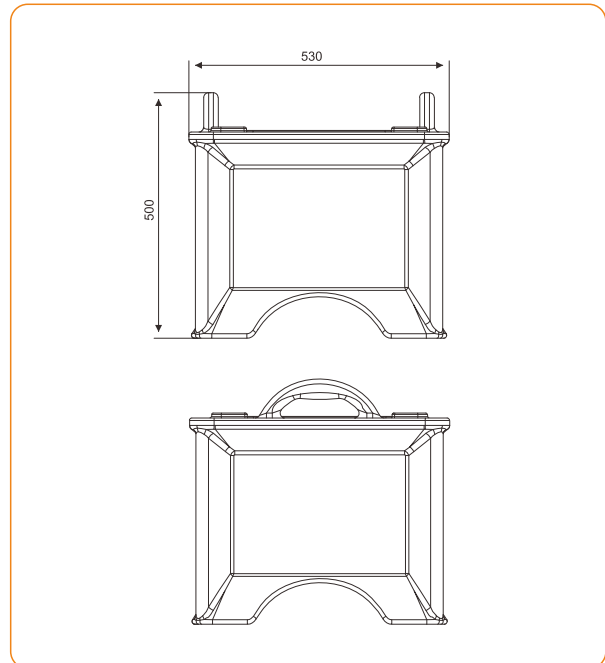
Single-loop output current: 10A, 16A, 32A, 63A etc.

Single-loop output voltage: 20-25V, 40-50V, 100-130V,
200-250V, 380-480V, 500-660V

Pole of output socket: IP+N+PE, 3P+PE, 3P+N+PE

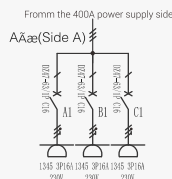
Applicable environment: Temperature -30°C~+40°C, indoor & outdoor

Film & TV Distrubition Box



Description

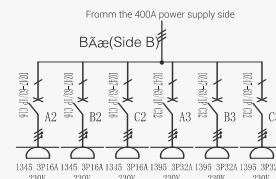
UK-BZS3-5001 Side A



⚠ IP 44

- 3Pcs Panel Mounted Socket. 16A,3P,230V
- 6PCS MCB 16A ,1P ,C
- 3PCS MCB 32A ,1P ,C
- 3PCS MCB 63A ,1P ,C

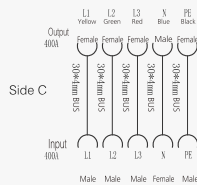
UK-BZS3-5001 Side B



⚠ IP 44

- 3Pcs Panel Mounted Socket. 16A,3P,230V
- 3Pcs Panel Mounted Socket. 32A,3P,230V

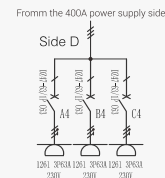
UK-BZS3-5001 Side C



⚠ IP 44

- Input :
- 4Pcs Male Camlock Receptale UKGZ-400
- 1Pcs Female Camlock Receptale UKMZ-400
- Output :
- 4Pcs Female Camlock Receptale UKMZ-400
- 1Pcs Male Camlock Receptale UKGZ-400

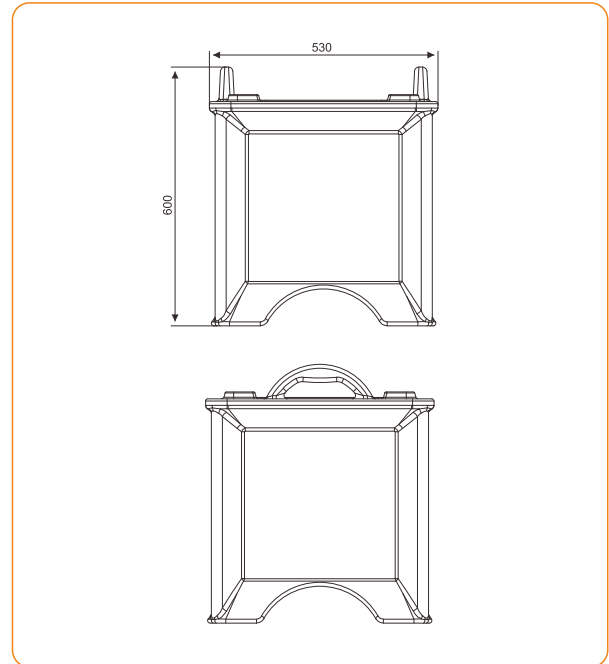
UK-BZS3-5001 Side D



⚠ IP 44

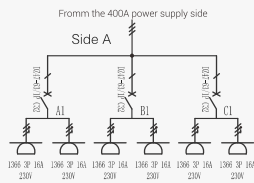
- 3Pcs Panel Mounted Socket. 63A,3P,230V

Film & TV Distrubition Box



Description

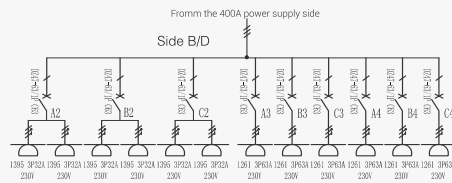
UK-BZS3-4004 Side A



⚠ IP 44

6Pcs Panel Mounted Socket . 16A,3P,230V
 6PCS MCB 63A ,1P,C
 3PCS MCB 32A ,1P,C

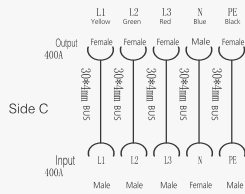
UK-BZS3-4004 Side B/D



⚠ IP 44

6Pcs Panel Mounted Socket . 32A,3P,230V
 6Pcs Panel Mounted Socket . 63A,3P,230V

UK-BZS3-4004 Side C

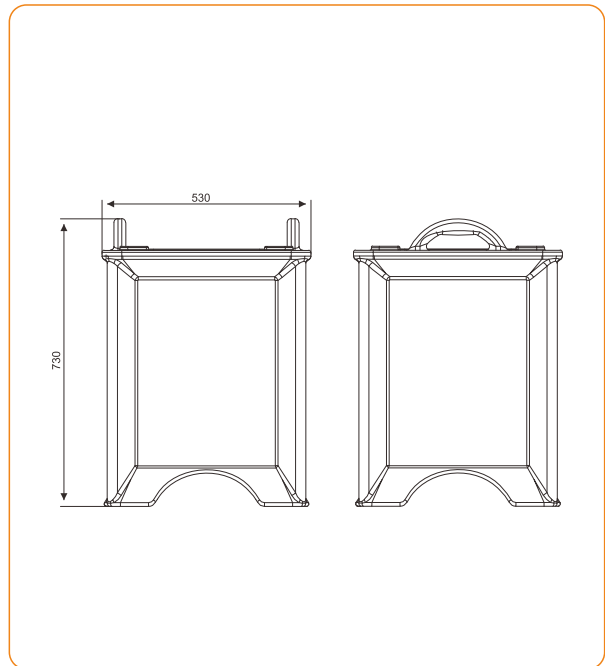


⚠ IP 44

Input :
 4Pcs Male Camlock Receptale UKGZ-400
 1Pcs Female Camlock Receptale UKMZ-400

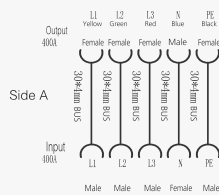
Output :
 4Pcs Female Camlock Receptale UKMZ-400
 1Pcs Male Camlock Receptale UKGZ-400

Film & TV Distrubition Box



Description

UK-BZS3-6001 Side A

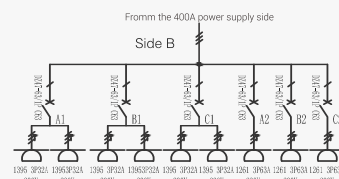


⚠ IP 44

Input :
 4Pcs Male Camlock Receptale UKGZ-400
 1Pcs Female Camlock Receptale UKMZ-400

Output :
 4Pcs Female Camlock Receptale UKMZ-400
 1Pcs Male Camlock Receptale UKGZ-400
 12PCS 63A,1P,D

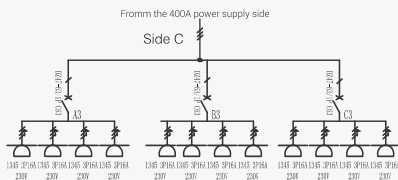
UK-BZS3-6001 Side B



⚠ IP 44

6Pcs Panel Mounted Socket . 32A,3P,230V
 3Pcs Panel Mounted Socket . 63A,3P,230V

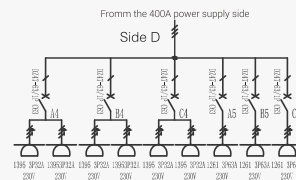
UK-BZS3-6001 Side C



⚠ IP 44

12Pcs Panel Mounted Socket . 16A,3P,230V

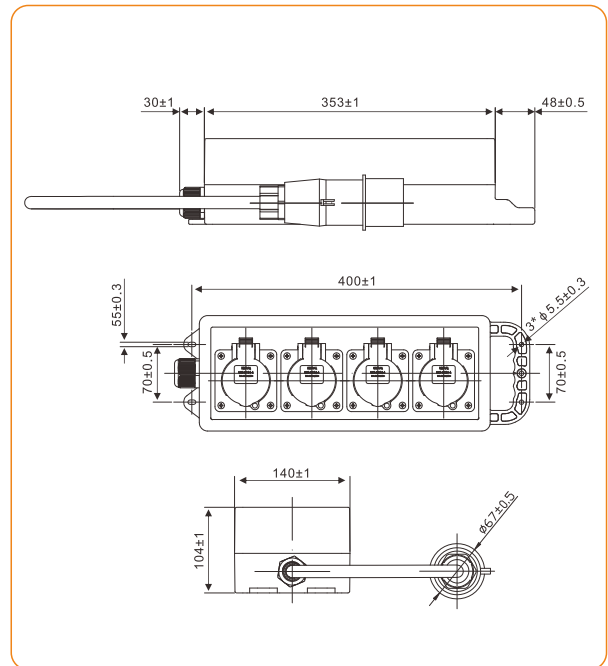
UK-BZS3-6001 Side D



⚠ IP 44

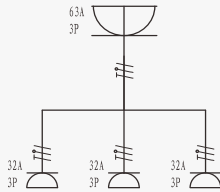
6Pcs Panel Mounted Socket . 32A,3P,230V
 3Pcs Panel Mounted Socket . 63A,3P,230V

Film & TV Distrubition Box



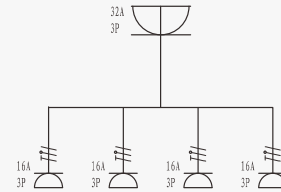
Description

UK-BZS3-7001



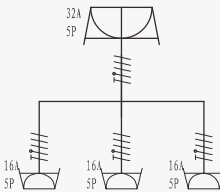
⚠ IP 44
 1Pcs.Plug 63A,3P,230V
 1m Cable
 3Pcs Socket.32A,3P,230V

UK-BZS3-7002



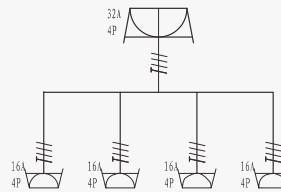
⚠ IP 44
 1Pcs . Plug 32A,3P,230V
 1m Cable
 4Pcs Socket.16A,3P,230V

UK-BZS3-7003



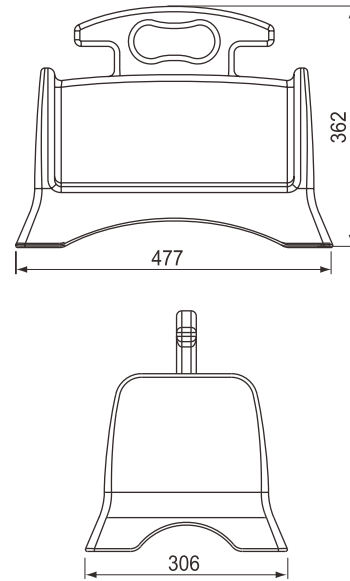
⚠ IP 44
 1Pcs.Plug 32A,5P,400V
 2m Cable
 3Pcs Socket .16A,5P,400V

UK-BZS3-7004



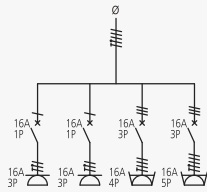
⚠ IP 44
 1Pcs.Plug 32A,4P,400V
 2m Cable
 4Pcs Socket.16A,4P,400V

Film & TV Distrubition Box



Description

UK-BZS3-1001



⚠ IP 44-65

Side A
2Pcs Socket. 16A,3P,230V

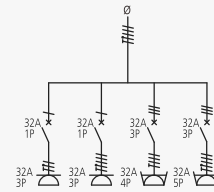
Side B
1Pcs Socket. 16A,4P,400V

Side C
2PCS MCB 16A ,1P ,C
2PCS MCB 16A ,3P ,C

Side D
1Pcs Socket. 16A,5P,400V

Cable entry max.: 5X16mm²per unit; 2m cable with plug(5P 63A 400V)

UK-BZS3-1002



⚠ IP 44

Side A
2Pcs Socket. 32A,3P,230V

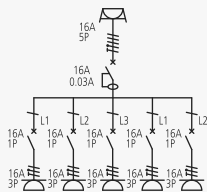
Side B
1Pcs Socket. 32A,4P,400V

Side C
2PCS MCB 32A ,1P ,C
2PCS MCB 32A ,3P ,C

Side D
1Pcs Socket. 32A,5P,400V

Cable entry max.: 5X16mm²per unit; 2m cable with plug(5P 63A 400V)

UK-BZS3-1003



⚠ IP 44-65

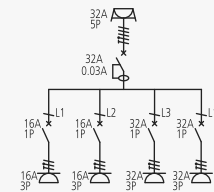
Side A
3Pcs Socket. 16A,3P,230V

Side B
1Pcs RCCB 16A,4P,0.03A

Side C
2Pcs Socket. 16A,3P,230V
1Pcs Panel mounted plug 16A,3P,230V

Side D
5PCS MCB 16A ,1P ,C

UK-BZS3-1004



⚠ IP 44

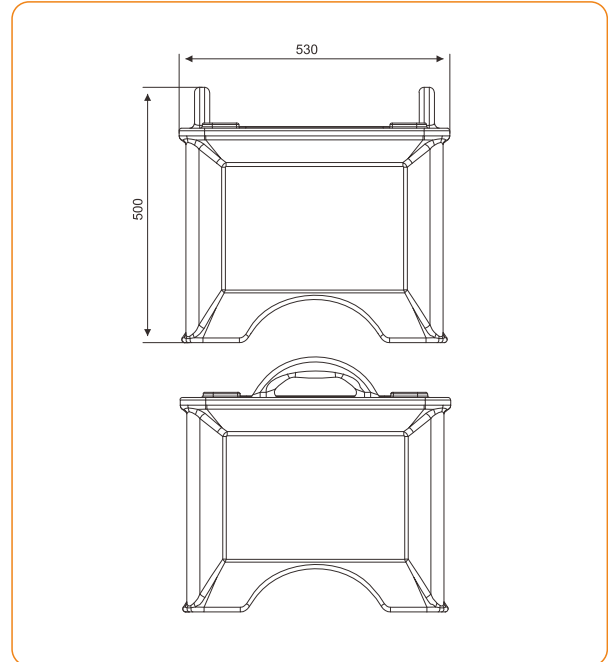
Side A
2Pcs Socket. 32A,3P,230V

Side B
1Pcs RCCB 32A,4P,0.03A

Side C
2Pcs Socket. 16A,3P,230V
1Pcs Panel mounted plug 32A,5P,400V

Side D
2PCS MCB 16A ,1P ,C
2PCS MCB 32A ,1P ,C

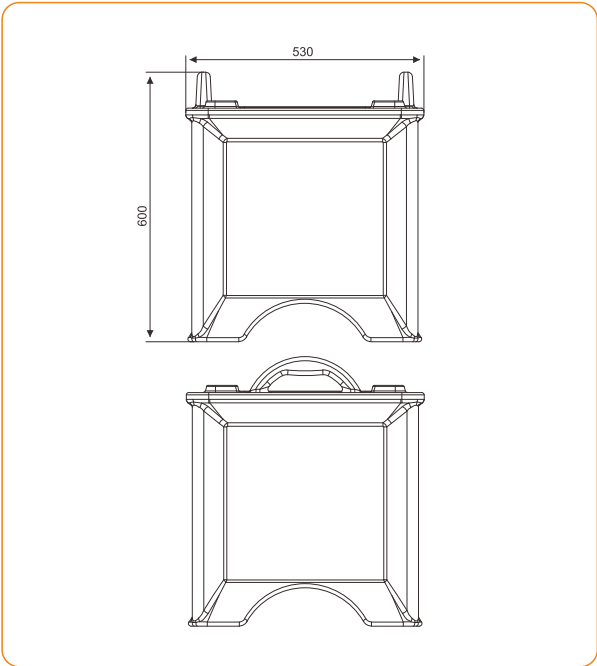
Film & TV Distrubition Box



Description

UK-BZS3-2001	Side A	UK-BZS3-2001	Side B	UK-BZS3-2001	Side C	UK-BZS3-2001	Side D
				<p>⚠ IP 44-65 1Pcs Panel mounted plug 63A,5P,400V 1Pcs MCB 63A , 3P , C</p>	<p>⚠ IP 44 3Pcs Socket .16A,3P,230V 3Pcs MCB 16A, 1P , C</p>	<p>⚠ IP 44 3Pcs Socket .16A,4P,400V 3Pcs MCB 16A,3P,C</p>	<p>⚠ IP 44 3Pcs Socket 16A,5P,400V 3Pcs MCB 16A,3P,C</p>
UK-BZS3-2002	Side A	UK-BZS3-2002	Side B	UK-BZS3-2002	Side C	UK-BZS3-2002	Side D
				<p>⚠ IP 44-67 1Pcs Panel mounted plug 63A,5P,400V</p>	<p>⚠ IP 44 3Pcs Socket .16A,3P,230V 3Pcs MCB 16A , 1P , C</p>	<p>⚠ IP 44 3Pcs Socket .16A,5P,400V 3Pcs MCB 16A , 3P , C</p>	<p>⚠ IP 44 2Pcs Socket 32A,5P,400V 2Pcs MCB 32A,3P,C</p>

Film & TV Distrubition Box



Description

UK-BZS3-3001 Side A	UK-BZS3-3001 Side B	UK-BZS3-3001 Side C	UK-BZS3-3001 Side D
<p>⚠ IP 44-65 1Pcs Panel mounted plug 125A,5P,400V 1Pcs MCB 125A,3P,C</p>	<p>⚠ IP 44 1Pcs Socket .16A,3P,230V 1Pcs Socket .16A,4P,400V 1Pcs Socket .16A,5P,400V 1Pcs Socket .32A,3P,230V 1Pcs Socket .32A,4P,400V 1Pcs Socket .32A,5P,400V 1Pcs MCB 16A , 1P , C 1Pcs MCB 32A , 1P , C 1Pcs MCB 32A , 3P , C 1Pcs MCB 63A , 3P , C</p>	<p>⚠ IP 44 1Pcs Socket .16A,3P,230V 1Pcs Socket .16A,4P,400V 1Pcs Socket .16A,5P,400V 1Pcs Socket .32A,3P,230V 1Pcs Socket .32A,4P,400V 1Pcs Socket .32A,5P,400V 1Pcs MCB 16A , 1P , C 1Pcs MCB 32A , 1P , C 1Pcs MCB 32A , 3P , C 1Pcs MCB 63A , 3P , C</p>	<p>⚠ IP 44 1Pcs Socket .63A,3P,230V 1Pcs Socket .63A,5P,400V 1Pcs MCB 63A , 1P , C 1Pcs MCB 63A , 3P , C</p>
UK-BZS3-3002 Side A	UK-BZS3-3002 Side B	UK-BZS3-3002 Side C	UK-BZS3-3002 Side D
<p>⚠ IP 44 1PcsPanel mounted plug 125A,5P,400V 1Pcs MCB 125A , 3 P , C</p>	<p>⚠ IP 44 2Pcs Socket .16A,3P,230V 1Pcs Socket .16A,5P,400V 2Pcs Socket .32A,3P,230V 1Pcs Socket .32A,5P,400V 2Pcs MCB 16A , 1P , C 1Pcs MCB 16A , 3P , C 2Pcs MCB 32A , 1P , C 1Pcs MCB 32A , 3P , C</p>	<p>⚠ IP 44 2Pcs Socket .16A,3P,230V 1Pcs Socket .16A,4P,400V 2Pcs Socket .32A,3P,230V 1Pcs Socket .32A,4P,400V 2Pcs MCB 16A , 1P , C 2Pcs MCB 32A , 1P , C 1Pcs MCB 16A , 3P , C 1Pcs MCB 32A , 3P , C</p>	<p>⚠ IP 44 1Pcs Socket .63A,3P,230V 1Pcs Socket .63A,5P,400V 1Pcs MCB 63A , 1P , C 1Pcs MCB 63A , 3P , C</p>